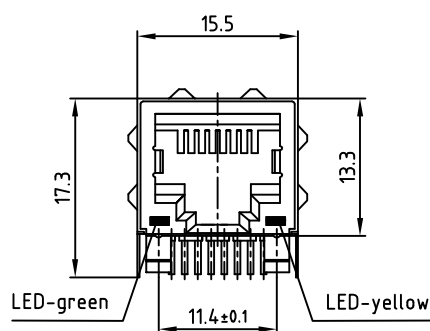
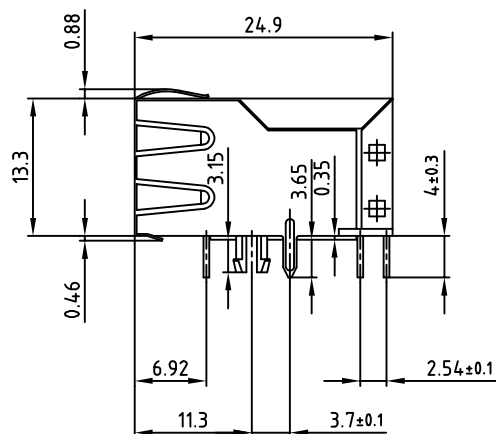
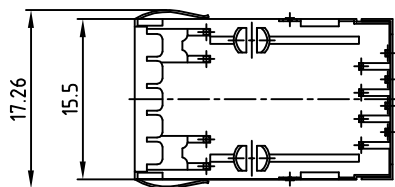
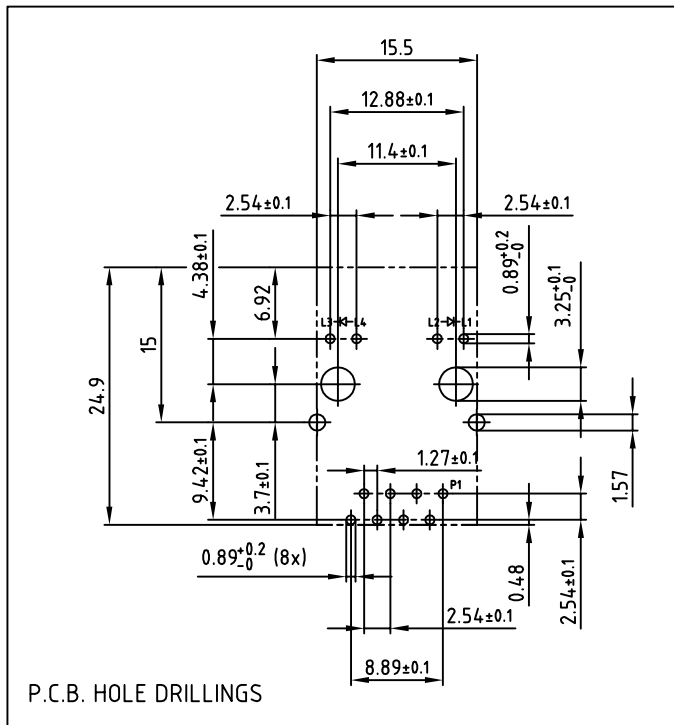


used for: RJ 45



Directive 2002/95 EC  
„RoHS“  
Compliant



NOTES:

1. HOUSING MATERIAL: GLASS FILLED POLYESTER UL 94 V-0, BLACK
2. SHIELD MATERIAL: 0.2mm THICK COPPER ALLOY
3. CONTACT MATERIAL: 0.35mm THICK COPPER ALLOY
4. MATING AREA PLATING: min. 50µ" GOLD over min. 30µ" NICKEL
5. SOLDER TAILS PLATING: min. 90µ" TIN/LEAD over min. 30µ" NICKEL
6. LED: GREEN AND YELLOW

APPROVAL * FREIGABE * DEBLOCAGE * AUTORIZACION * APPROVAL	
CUSTOMER APPROVAL DATE:	
NAME:	TITLE:
COMPANY NAME:	
APPROVAL * FREIGABE * DEBLOCAGE * AUTORIZACION * APPROVAL	

THIS DRAWING MAY NOT BE COPIED OR REPRODUCED IN ANY WAY, AND MAY NOT BE PASSED ON TO A THIRD PARTY, WITHOUT WRITTEN PERMISSION.  
OWNERSHIP AND COPYRIGHT OF CONEC GmbH  
DO NOT ALTER CAD DRAWING BY HAND

rev.	description	date	name

tolerance scale: 2:1  
material:  
title:  
RJ 45 MAGNETIC MODULAR JACK  
1. PORT SOLDER PIN STRAIGHT  
fully screened, with LED  
dwg no: AutoCAD 2000 DIN-A  
39K1A030 sh: 1/1  
part no: RJ45TJS11AC010X

2002	date	name
drawn	31.05.	Parei
appd.	31.05.	Kühle
norm		
d-old		