

- NOTES:
- REF. PCI EXPRESS CARD ELECTROMECHANICAL SPECIFICATION, REV 1.0a FOR BRACKET WINDOW LOCATION.
 - PCB AND BRACKET SHOWN FOR REFERENCE ONLY.
 - REF. SD-74547-100 FOR KEY POSITIONS.
 - GUIDE HOUSING MOUNTING THREAD= M2 X 0.40, SEE SHEET 3 FOR SCREW LENGTH + TORQUE SPEC.
 - PLATE GROUND PAD WITH EMERSION SILVER OR GOLD.
 - MATERIAL:
GUIDE HOUSING - ZINC DIECAST, NICKEL PLATED.
COVER - STAINLESS STEEL.
GASKET: CONDUCTIVE ELASTOMER
 - NO RoHS EXEMPTIONS.
 - GUIDE HOUSING PEGS FOR ALIGNMENT ONLY, DO NOT SOLDER.

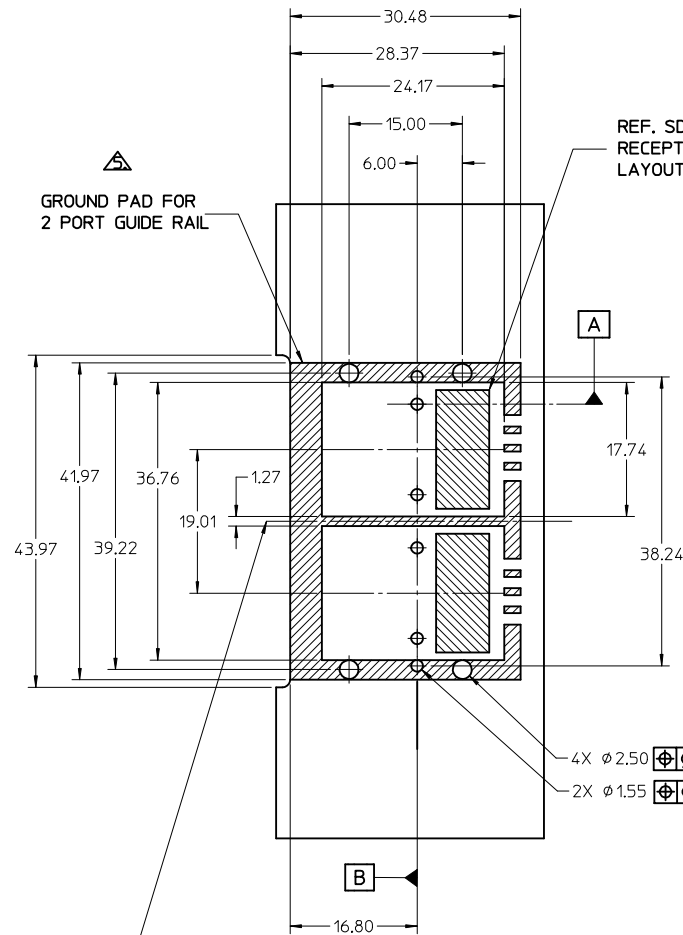
PART NUMBER	SW	OAW	PORT SIZE	KEY(S) PORT1	KEY(S) PORT2	KEY(S) PORT3	KEY(S) PORT4	IDENTIFIERS	ELASTOMERIC GASKET FLAMMABILITY RATING
745480100	76.29	79.99	4	1	1	1	1	SATA - 'X' CABLES	94HB
745480103	76.29	79.99	4	2,4	2,4	2,4	2,4	SAS OUT PORT/END DEVICE	94HB
745480104	76.29	79.99	4	4,6	4,6	4,6	4,6	SAS IN PORT/END DEVICE	94HB
745480105	76.29	79.99	4	4	4	4	4	SAS UNIVERSAL PORT	94HB
745480112	76.29	79.99	4	7	7	7	7	SATA - 'M' CABLES	94HB
745480117	76.29	79.99	4	2	2	2	2	SAS - OUT PORT	94HB
745480120	76.29	79.99	4	6	6	6	6	SAS - IN PORT	94HB

REV	DESCRIPTION
R	DRWN:LUZ0 2015/01/22 CHKD:SYANG16 2015/01/26 APPR:RICHM08 2015/02/03

QUALITY SYMBOLS	GENERAL TOLERANCES (UNLESS SPECIFIED)
▽=0	mm INCH
▽=0	4 PLACES ± --- ± ---
▽=0	3 PLACES ± --- ± ---
▽=0	2 PLACES ± 0.13 ± ---
	1 PLACE ± 0.25 ± ---
	0 PLACE ± ±
	ANGULAR ±1/2°
	DRAFT WHERE APPLICABLE MUST REMAIN WITHIN DIMENSIONS

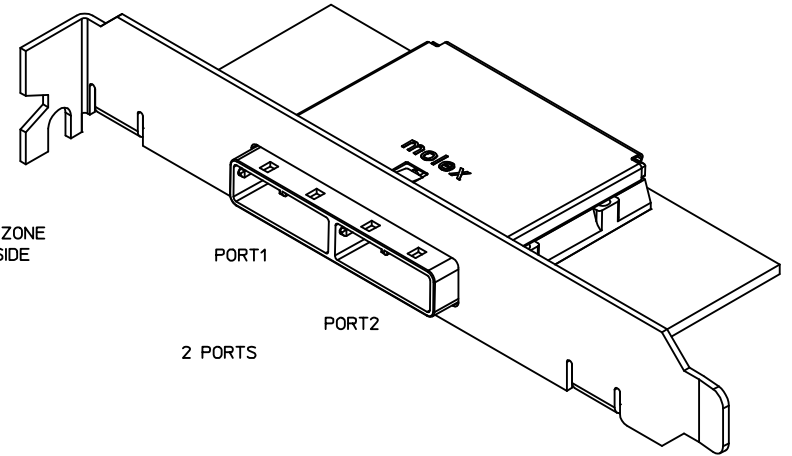
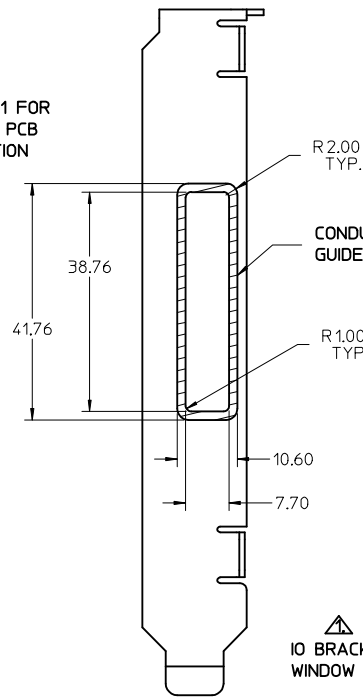
DIMENSION STYLE MM ONLY		SCALE 2:1	DESIGN UNITS METRIC	THIRD ANGLE PROJECTION
DRAWN BY	DATE	TITLE	1-PASS 26CKT ONE DEG. EMI GUIDE RAIL HOUSING ASSEMBLY, MULTI PORT 	
CHECKED BY	DATE			
APPROVED BY	DATE			
MATERIAL NO.	DOCUMENT NO.			
SEE P/N TABLE		SD-74548-100		SHEET NO. 1 OF 4

THIS DRAWING CONTAINS INFORMATION THAT IS PROPRIETARY TO MOLEX INCORPORATED AND SHOULD NOT BE USED WITHOUT WRITTEN PERMISSION



43.22
(MIN CENTER TO CENTER RAIL
SPACING USING M2X0.4 FLAT
HEAD OR BUTTON HEAD SCREWS)

REF. SD-75586-001 FOR
RECEPTACLE AND PCB
LAYOUT INFORMATION



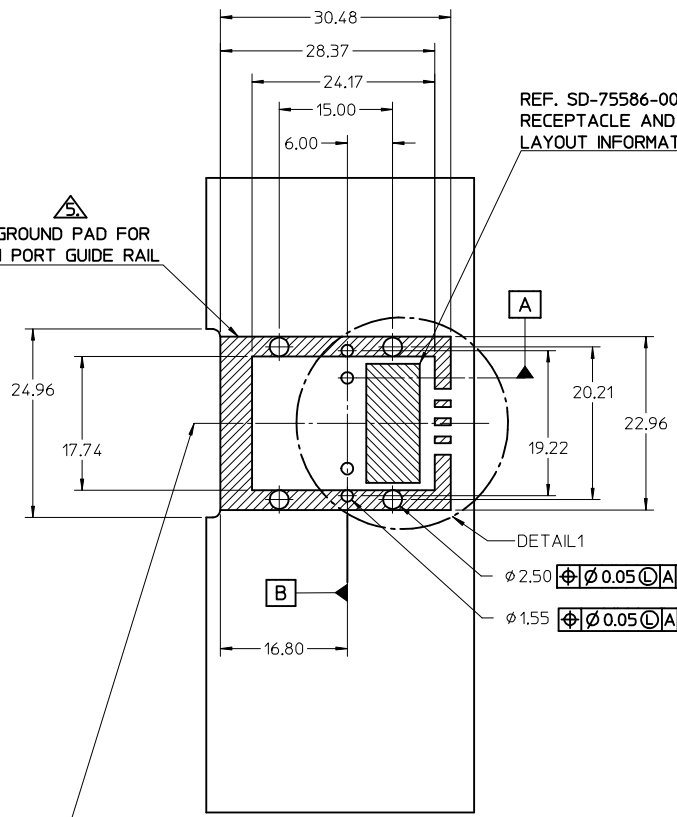
4X $\phi 2.50$ $\oplus \phi 0.05 \text{ (C) AB}$
2X $\phi 1.55$ $\oplus \phi 0.05 \text{ (C) AB}$

PART NUMBER	SW	OAW	PORT SIZE	KEY(S) PORT 1	KEY(S) PORT 2	IDENTIFIERS	ELASTOMERIC GASKET FLAMMABILITY RATING
745480102	38.26	41.96	2	1	1	SATA - 'X' CABLES	94HB
745480106	38.26	41.96	2	2,4	2,4	SAS OUT PORT/END DEVICE	94HB
745480107	38.26	41.96	2	4,6	4,6	SAS IN PORT/END DEVICE	94HB
745480108	38.26	41.96	2	4	4	SAS UNIVERSAL PORT	94HB
745480113	38.26	41.96	2	7	7	SATA - 'M' CABLES	94HB
745480115	38.26	41.96	2	4,6	2,4	SAS IN PORT - SAS OUT PORT	94HB
745480116	38.26	41.96	2	2,4	4,6	SAS OUT PORT - SAS IN PORT	94HB
745480118	38.26	41.96	2	2	2	SAS - OUT PORT	94HB
745480121	38.26	41.96	2	6	6	SAS - IN PORT	94HB
745480124	38.26	41.96	2	3	3	SRIO	94HB
745480128	38.26	41.96	2	2,4	4,6	SAS OUT PORT - SAS IN PORT	94V-0

iPass™ is a Trademark of Molex, Inc.

SEE REVISION TABLE EC NO: CPG2015-3682 DRW: LUD0 2015/01/22 CHK: SYANG16 2015/01/26 APPR: RCHM08 2015/02/03	QUALITY SYMBOLS $\nabla = 0$ $\nabla = 0$ $\nabla = 0$	GENERAL TOLERANCES (UNLESS SPECIFIED) <table border="1"> <tr> <th></th> <th>mm</th> <th>INCH</th> </tr> <tr> <td>4 PLACES</td> <td>\pm ---</td> <td>\pm ---</td> </tr> <tr> <td>3 PLACES</td> <td>\pm ---</td> <td>\pm ---</td> </tr> <tr> <td>2 PLACES</td> <td>\pm 0.13</td> <td>\pm ---</td> </tr> <tr> <td>1 PLACE</td> <td>\pm 0.25</td> <td>\pm ---</td> </tr> <tr> <td>0 PLACE</td> <td>\pm</td> <td>\pm</td> </tr> </table>		mm	INCH	4 PLACES	\pm ---	\pm ---	3 PLACES	\pm ---	\pm ---	2 PLACES	\pm 0.13	\pm ---	1 PLACE	\pm 0.25	\pm ---	0 PLACE	\pm	\pm	DIMENSION STYLE MM ONLY	SCALE 2:1	DESIGN UNITS METRIC	THIRD ANGLE PROJECTION
				mm	INCH																			
			4 PLACES	\pm ---	\pm ---																			
			3 PLACES	\pm ---	\pm ---																			
2 PLACES	\pm 0.13	\pm ---																						
1 PLACE	\pm 0.25	\pm ---																						
0 PLACE	\pm	\pm																						
DRAWN BY: SNAVARRO DATE: 2006/05/26 CHECKED BY: DATE: BREED DATE: 2006/05/26 APPROVED BY: DATE: DDOYE DATE: 2006/05/26		TITLE I-PASS 26CKT ONE DEG, EMI GUIDE RAIL HOUSING ASSEMBLY, MULTI PORT		molex		SHEET NO. 2 OF 4																		
MATERIAL NO. SEE P/N TABLE		DOCUMENT NO. SD-74548-100		THIS DRAWING CONTAINS INFORMATION THAT IS PROPRIETARY TO MOLEX INCORPORATED AND SHOULD NOT BE USED WITHOUT WRITTEN PERMISSION																				
DRAFT WHERE APPLICABLE MUST REMAIN WITHIN DIMENSIONS																								

GROUND PAD FOR
1 PORT GUIDE RAIL



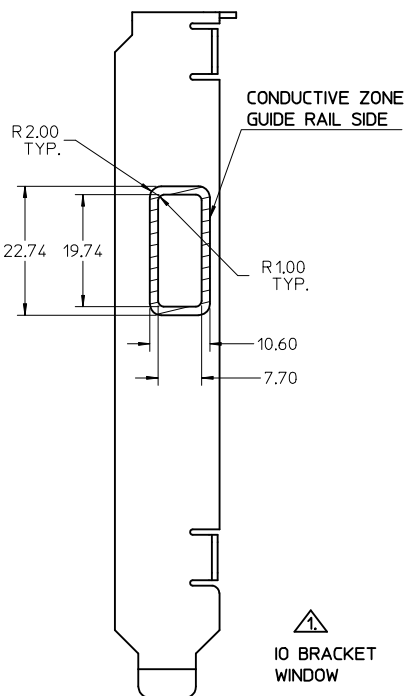
24.21
(MIN CENTER TO CENTER RAIL
SPACING USING M2X0.4 FLAT
HEAD OR BUTTON HEAD SCREWS)

REF. SD-75586-001 FOR
RECEPTACLE AND PCB
LAYOUT INFORMATION

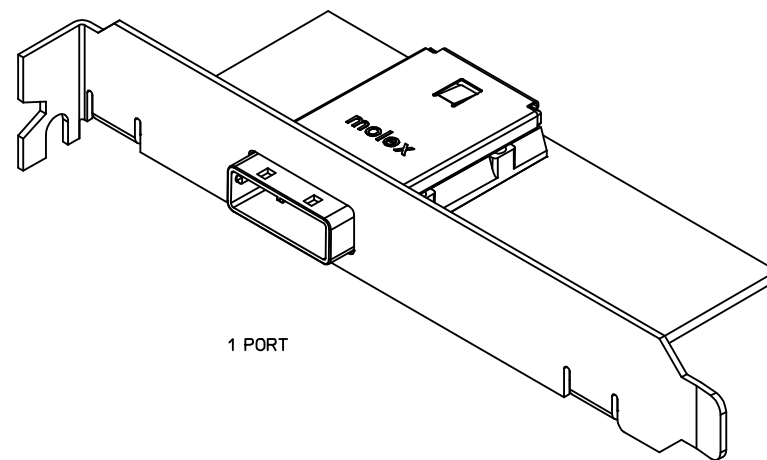
DETAIL 1

Ø 2.50 \pm 0.05 C A/B

Ø 1.55 \pm 0.05 C A/B

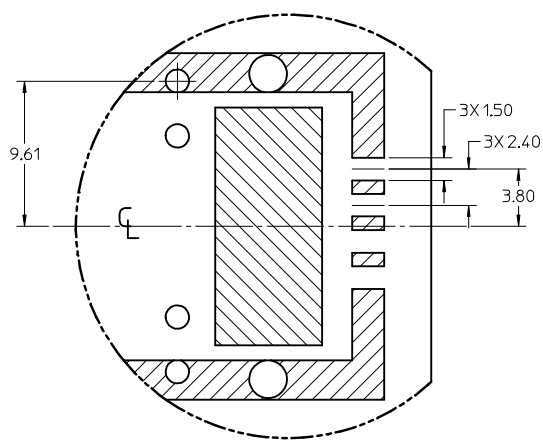


IO BRACKET
WINDOW



1 PORT

PCB THICKNESS	SCREW LENGTH	TORQUE (IN LBS)
1.6 (.063')	5MM	2.3
2.38 (.093')	6MM	2.3
3.2 (.125')	6MM	2.3
X	+4MM MAX	2.3



DETAIL 1
SCALE 4:1

PART NUMBER	SW	OAW	PORT SIZE	KEY(S)	IDENTIFIERS	ELASTOMERIC GASKET FLAMMABILITY RATING
745480101	19.24	22.95	1	1	SATA - 'X' CABLES	94HB
745480109	19.24	22.95	1	2, 4	SAS OUT PORT/END DEVICE	94HB
745480110	19.24	22.95	1	4, 6	SAS IN PORT/END DEVICE	94HB
745480111	19.24	22.95	1	4	SAS UNIVERSAL PORT	94HB
745480114	19.24	22.95	1	7	SATA - 'M' CABLES	94HB
745480119	19.24	22.95	1	2	SAS - OUT PORT	94HB
745480122	19.24	22.95	1	6	SAS - IN PORT	94HB
745480125	19.24	22.95	1	3	SRIO	94HB

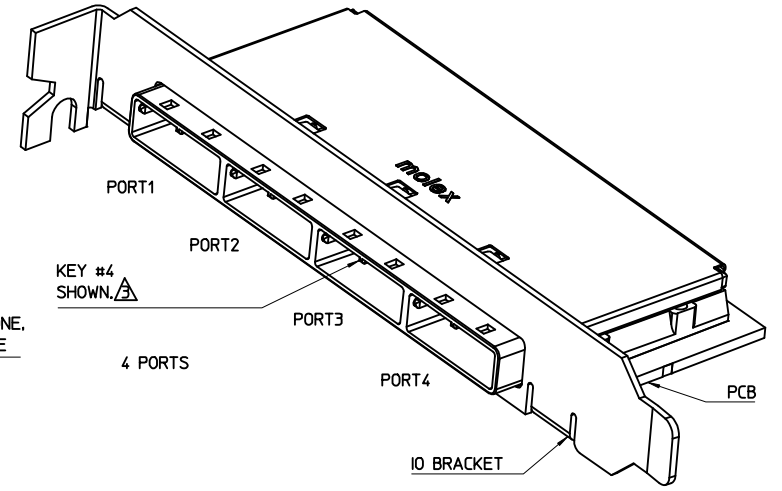
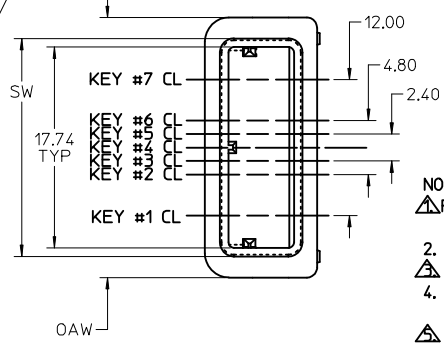
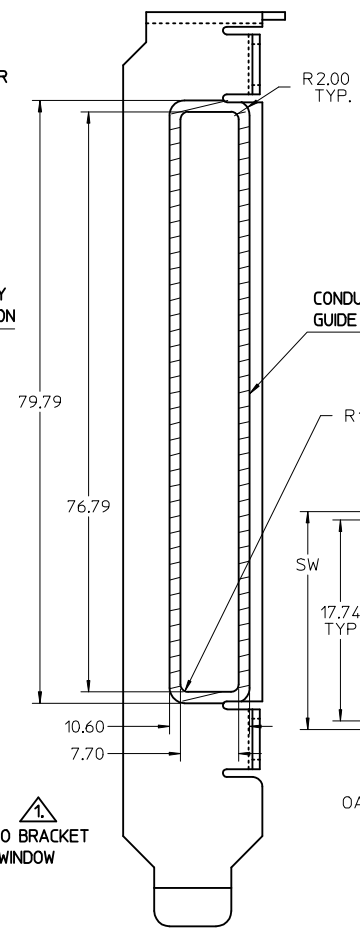
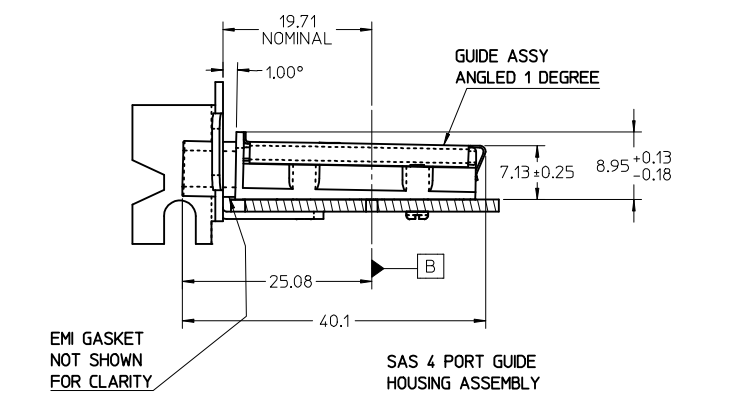
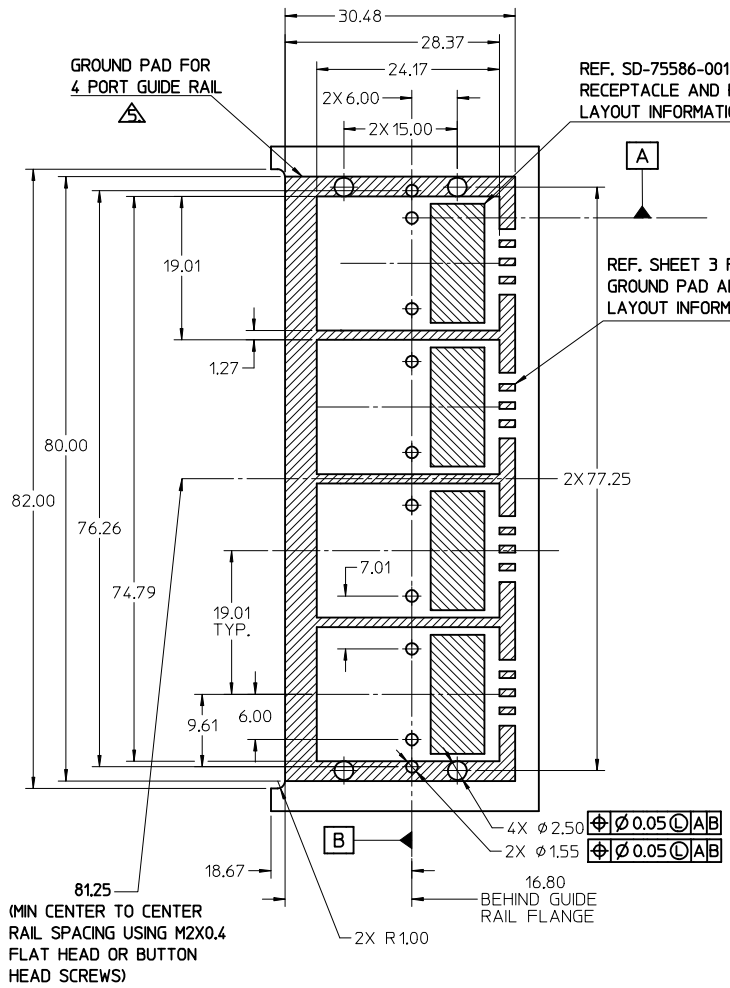
iPass™ is a Trademark of Molex, Inc.

SEE REVISION TABLE	QUALITY SYMBOLS	GENERAL TOLERANCES (UNLESS SPECIFIED)		DIMENSION STYLE MM ONLY		SCALE 2:1	DESIGN UNITS METRIC	THIRD ANGLE PROJECTION
		mm	INCH	DRAWN BY	DATE			
EC NO: CPG2015-3882 DRWIN:LUZ0 2015/01/22 CHKD:SYANG16 2015/01/26 APPR:RCHEN08 2015/02/03 REV	▽=0	4 PLACES	± ---	± ---	SNABARRO	2006/05/26	I-PASS 26CKT ONE DEG. EMI GUIDE RAIL HOUSING ASSEMBLY, MULTI PORT molex DOCUMENT NO. SD-74548-100 SHEET NO. 3 OF 4	THIS DRAWING CONTAINS INFORMATION THAT IS PROPRIETARY TO MOLEX INCORPORATED AND SHOULD NOT BE USED WITHOUT WRITTEN PERMISSION
	▽=0	3 PLACES	± ---	± ---	CHECKED BY	DATE		
	▽=0	2 PLACES	± 0.13	± ---	BREED	2006/05/26		
	▽=0	1 PLACE	± 0.25	± ---	APPROVED BY	DATE		
	▽=0	0 PLACE	±	±	DDOYE	2006/05/26		
DRAFT WHERE APPLICABLE MUST REMAIN WITHIN DIMENSIONS		ANGULAR ±1/2°		SEE P/N TABLE				

REVISION HISTORY

DATE	REV	DESCRIPTION
2015/01/23	R	1. ADDED "MM 3D MODEL: EM-74548-100 (SD_PACKAGE)" ON LEFT TOP CORNER. [SHT 1] 2. NOTE 7 CHANGED AS "NO RoHS EXEMPTIONS". [SHT 1] 3. NOTE 6 ADDED "GASKET: CONDUCTIVE ELASTOMER." [SHT 1] 4. ADDED ELASTOMERIC GASKET FLAMMABILITY RATING. [SHT 1, 2, 3] 5. ADDED 74548-0128. [SHT 2]

SEE REVISION TABLE EC NO: CFG2015-3882 DRWN:LUO 2015/01/22 CHKD:SYANG16 2015/01/26 APPR:RCHE08 2015/02/03 REV	QUALITY SYMBOLS	GENERAL TOLERANCES (UNLESS SPECIFIED)		DIMENSION STYLE MM ONLY		SCALE	DESIGN UNITS METRIC	THIRD ANGLE PROJECTION
	▽=0						TITLE	
	▽=0	4 PLACES ±	mm	INCH	DRAWN BY	DATE		I-PASS 26CKT ONE DEG. EMI GUIDE RAIL HOUSING ASSEMBLY, MULTI PORT
	▽=0	3 PLACES ±			CHECKED BY	DATE		molex
		2 PLACES ±0.13			BREED	2006/05/26		SD-74548-100
		1 PLACE ±0.25			APPROVED BY	DATE		4 OF 4
		0 PLACE ±			DDOYE	2006/05/26		
		ANGULAR ±1/2°		MATERIAL NO.	DOCUMENT NO.			
		DRAFT WHERE APPLICABLE MUST REMAIN WITHIN DIMENSIONS		SEE P/N TABLE				
					SIZE C	THIS DRAWING CONTAINS INFORMATION THAT IS PROPRIETARY TO MOLEX INCORPORATED AND SHOULD NOT BE USED WITHOUT WRITTEN PERMISSION		



- NOTES:
- REF. PCI EXPRESS CARD ELECTROMECHANICAL SPECIFICATION, REV 1.0a FOR BRACKET WINDOW LOCATION.
 - PCB AND BRACKET SHOWN FOR REFERENCE ONLY.
 - REF. SD-74547-100 FOR KEY POSITIONS.
 - GUIDE HOUSING MOUNTING THREAD= M2 X 0.40, SEE SHEET 3 FOR SCREW LENGTH + TORQUE SPEC.
 - PLATE GROUND PAD WITH EMERSION SILVER OR GOLD.
 - MATERIAL:
GUIDE HOUSING - ZINC DIECAST, NICKEL PLATED.
COVER - STAINLESS STEEL.
GASKET: CONDUCTIVE ELASTOMER
 - NO RoHS EXEMPTIONS.
 - GUIDE HOUSING PEGS FOR ALIGNMENT ONLY, DO NOT SOLDER.

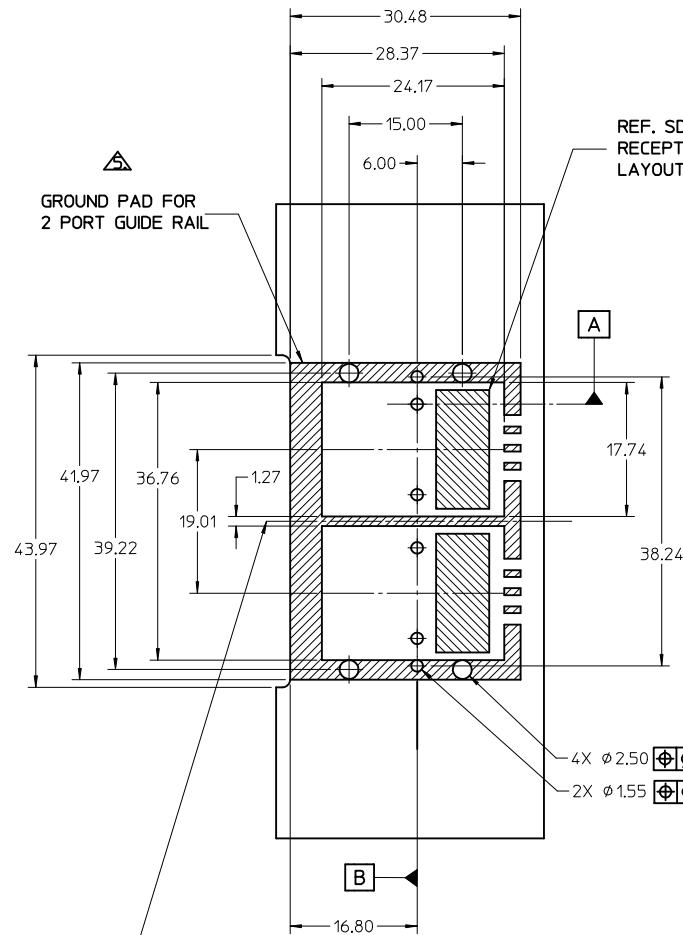
PART NUMBER	SW	OAW	PORT SIZE	KEY(S) PORT1	KEY(S) PORT2	KEY(S) PORT3	KEY(S) PORT4	IDENTIFIERS	ELASTOMERIC GASKET FLAMMABILITY RATING
745480100	76.29	79.99	4	1	1	1	1	SATA - 'X' CABLES	94HB
745480103	76.29	79.99	4	2,4	2,4	2,4	2,4	SAS OUT PORT/END DEVICE	94HB
745480104	76.29	79.99	4	4,6	4,6	4,6	4,6	SAS IN PORT/END DEVICE	94HB
745480105	76.29	79.99	4	4	4	4	4	SAS UNIVERSAL PORT	94HB
745480112	76.29	79.99	4	7	7	7	7	SATA - 'M' CABLES	94HB
745480117	76.29	79.99	4	2	2	2	2	SAS - OUT PORT	94HB
745480120	76.29	79.99	4	6	6	6	6	SAS - IN PORT	94HB

REV	DESCRIPTION
R	DRWN:LUZ0 2015/01/22 CHKD:SYANG16 2015/01/26 APPR:RCHEN08 2015/02/03

QUALITY SYMBOLS	GENERAL TOLERANCES (UNLESS SPECIFIED)
▽=0	mm INCH
▽=0	4 PLACES ± --- ± ---
▽=0	3 PLACES ± --- ± ---
▽=0	2 PLACES ± 0.13 ± ---
▽=0	1 PLACE ± 0.25 ± ---
▽=0	0 PLACE ± ±
	ANGULAR ±1/2°

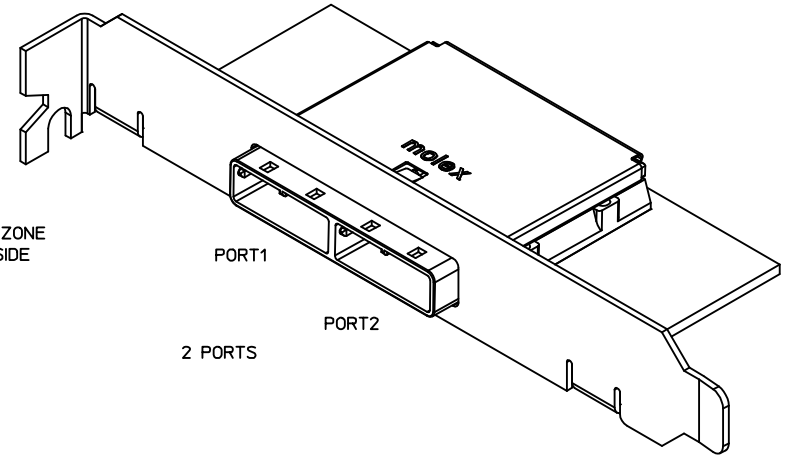
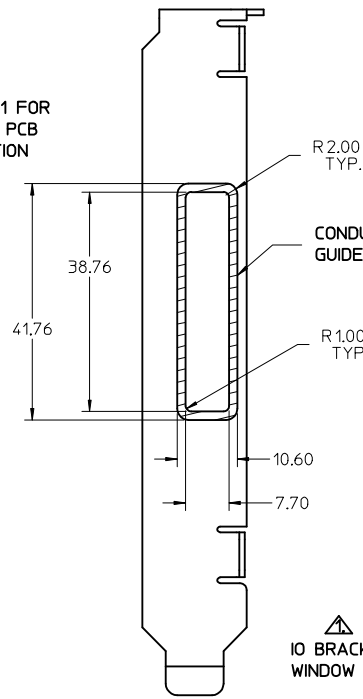
DIMENSION STYLE		SCALE		DESIGN UNITS		THIRD ANGLE PROJECTION	
MM ONLY		2:1		METRIC		THIRD ANGLE PROJECTION	
DRAWN BY	DATE	TITLE	I-PASS 26CKT ONE DEG. EMI GUIDE RAIL HOUSING ASSEMBLY, MULTI PORT				
SNABARRO	2006/05/26		molex				
CHECKED BY	DATE						
BREED	2006/05/26		DOCUMENT NO. SD-74548-100				
APPROVED BY	DATE		SHEET NO. 1 OF 4				
DDOYE	2006/05/26		THIS DRAWING CONTAINS INFORMATION THAT IS PROPRIETARY TO MOLEX INCORPORATED AND SHOULD NOT BE USED WITHOUT WRITTEN PERMISSION				

iPass™ is a Trademark of Molex, Inc.



43.22
(MIN CENTER TO CENTER RAIL
SPACING USING M2X0.4 FLAT
HEAD OR BUTTON HEAD SCREWS)

REF. SD-75586-001 FOR
RECEPTACLE AND PCB
LAYOUT INFORMATION



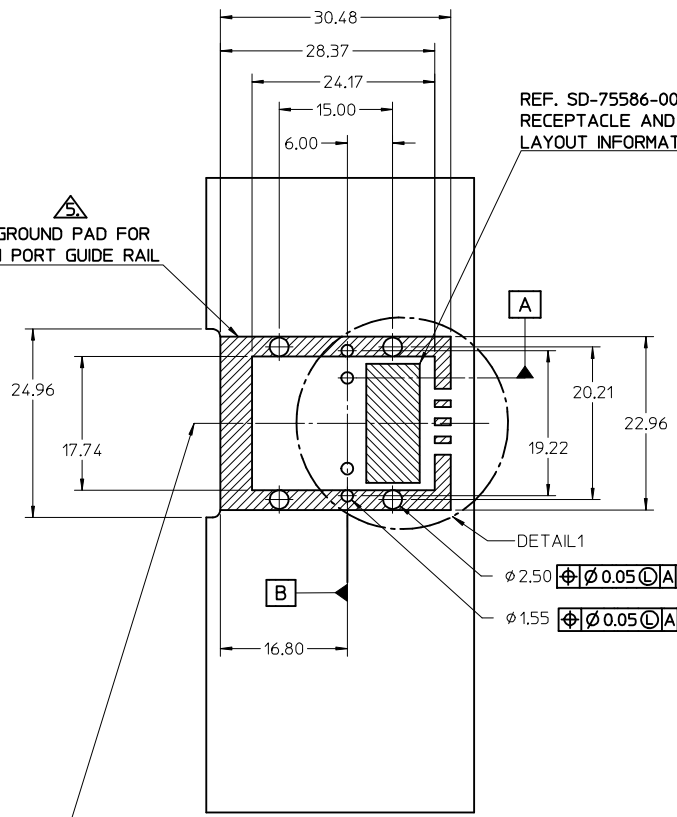
4X $\varnothing 2.50$ $\oplus \varnothing 0.05 \text{ (C) } | A | B$
2X $\varnothing 1.55$ $\oplus \varnothing 0.05 \text{ (C) } | A | B$

PART NUMBER	SW	OAW	PORT SIZE	KEY(S) PORT 1	KEY(S) PORT 2	IDENTIFIERS	ELASTOMERIC GASKET FLAMMABILITY RATING
745480102	38.26	41.96	2	1	1	SATA - 'X' CABLES	94HB
745480106	38.26	41.96	2	2,4	2,4	SAS OUT PORT/END DEVICE	94HB
745480107	38.26	41.96	2	4,6	4,6	SAS IN PORT/END DEVICE	94HB
745480108	38.26	41.96	2	4	4	SAS UNIVERSAL PORT	94HB
745480113	38.26	41.96	2	7	7	SATA - 'M' CABLES	94HB
745480115	38.26	41.96	2	4,6	2,4	SAS IN PORT - SAS OUT PORT	94HB
745480116	38.26	41.96	2	2,4	4,6	SAS OUT PORT - SAS IN PORT	94HB
745480118	38.26	41.96	2	2	2	SAS - OUT PORT	94HB
745480121	38.26	41.96	2	6	6	SAS - IN PORT	94HB
745480124	38.26	41.96	2	3	3	SRIO	94HB
745480128	38.26	41.96	2	2,4	4,6	SAS OUT PORT - SAS IN PORT	94V-0

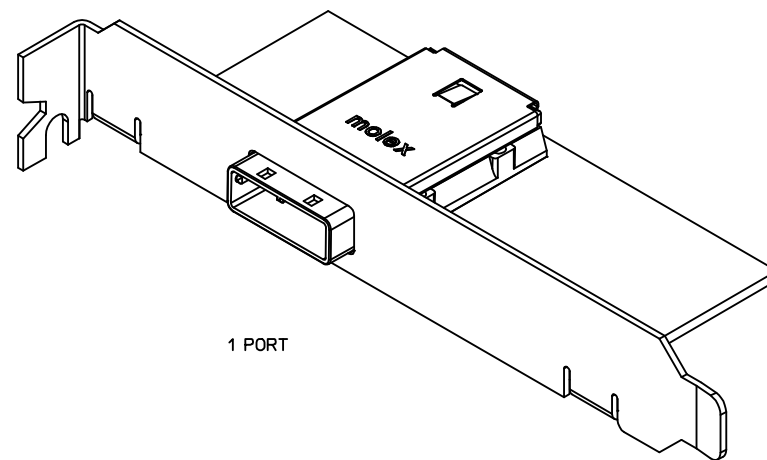
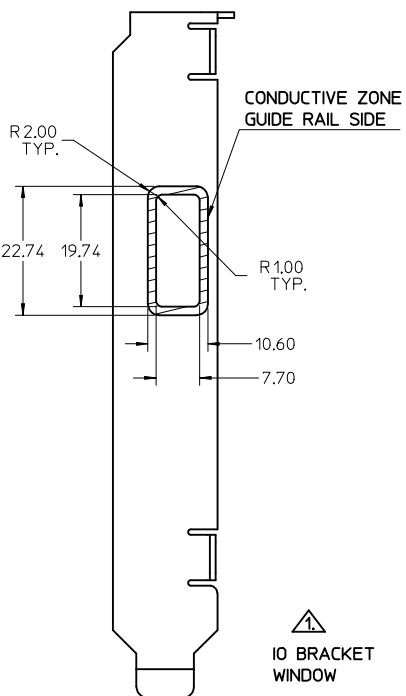
iPass™ is a Trademark of Molex, Inc.

SEE REVISION TABLE EC NO: CPG2015-3682 DRW: LUD0 2015/01/22 CHK: SYANG16 2015/01/26 APPR: RCHM08 2015/02/03	QUALITY SYMBOLS $\nabla = 0$ $\nabla = 0$ $\nabla = 0$	GENERAL TOLERANCES (UNLESS SPECIFIED) <table border="1"> <tr> <th></th> <th>mm</th> <th>INCH</th> </tr> <tr> <td>4 PLACES</td> <td>± 0.13</td> <td>± 0.005</td> </tr> <tr> <td>3 PLACES</td> <td>± 0.25</td> <td>± 0.010</td> </tr> <tr> <td>2 PLACES</td> <td>± 0.38</td> <td>± 0.015</td> </tr> <tr> <td>1 PLACE</td> <td>± 0.51</td> <td>± 0.020</td> </tr> <tr> <td>0 PLACE</td> <td>± 0.64</td> <td>± 0.025</td> </tr> </table>		mm	INCH	4 PLACES	± 0.13	± 0.005	3 PLACES	± 0.25	± 0.010	2 PLACES	± 0.38	± 0.015	1 PLACE	± 0.51	± 0.020	0 PLACE	± 0.64	± 0.025	DIMENSION STYLE MM ONLY DRAWN BY: SNAVARRO DATE: 2006/05/26 CHECKED BY: BREED DATE: 2006/05/26 APPROVED BY: DDOYE DATE: 2006/05/26	SCALE: 2:1 DESIGN UNITS: METRIC THIRD ANGLE PROJECTION	TITLE: I-PASS 26CKT ONE DEG, EMI GUIDE RAIL HOUSING ASSEMBLY, MULTI PORT
		mm	INCH																				
	4 PLACES	± 0.13	± 0.005																				
	3 PLACES	± 0.25	± 0.010																				
2 PLACES	± 0.38	± 0.015																					
1 PLACE	± 0.51	± 0.020																					
0 PLACE	± 0.64	± 0.025																					
MATERIAL NO. DOCUMENT NO.	SHEET NO. 2 OF 4	SEE P/N TABLE SD-74548-100		THIS DRAWING CONTAINS INFORMATION THAT IS PROPRIETARY TO MOLEX INCORPORATED AND SHOULD NOT BE USED WITHOUT WRITTEN PERMISSION																			
DRAFT WHERE APPLICABLE MUST REMAIN WITHIN DIMENSIONS																							

GROUND PAD FOR
1 PORT GUIDE RAIL

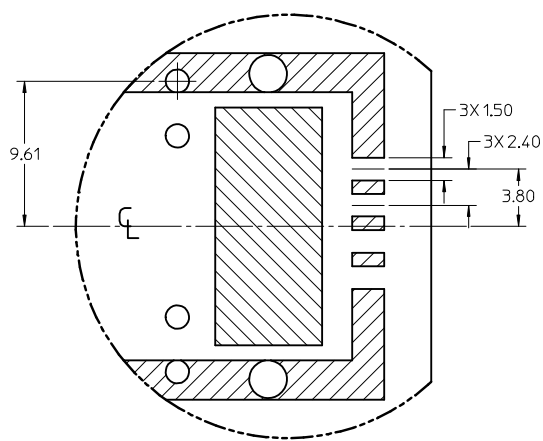


REF. SD-75586-001 FOR
RECEPTACLE AND PCB
LAYOUT INFORMATION



PCB THICKNESS	SCREW LENGTH	TORQUE (IN LBS)
1.6 (.063')	5MM	2.3
2.38 (.093')	6MM	2.3
3.2 (.125')	6MM	2.3
X	+4MM MAX	2.3

24.21
(MIN CENTER TO CENTER RAIL
SPACING USING M2X0.4 FLAT
HEAD OR BUTTON HEAD SCREWS)



DETAIL1
SCALE 4:1

PART NUMBER	SW	OAW	PORT SIZE	KEY(S)	IDENTIFIERS	ELASTOMERIC GASKET FLAMMABILITY RATING
745480101	19.24	22.95	1	1	SATA - 'X' CABLES	94HB
745480109	19.24	22.95	1	2,4	SAS OUT PORT/END DEVICE	94HB
745480110	19.24	22.95	1	4,6	SAS IN PORT/END DEVICE	94HB
745480111	19.24	22.95	1	4	SAS UNIVERSAL PORT	94HB
745480114	19.24	22.95	1	7	SATA - 'M' CABLES	94HB
745480119	19.24	22.95	1	2	SAS - OUT PORT	94HB
745480122	19.24	22.95	1	6	SAS - IN PORT	94HB
745480125	19.24	22.95	1	3	SRIO	94HB

iPass™ is a Trademark of Molex, Inc.

SEE REVISION TABLE	QUALITY SYMBOLS	GENERAL TOLERANCES (UNLESS SPECIFIED)		DIMENSION STYLE MM ONLY		SCALE 2:1	DESIGN UNITS METRIC	THIRD ANGLE PROJECTION
		mm	INCH	DRAWN BY	DATE			
EC NO: CPG2015-3882 DRWIN:LU20 2015/01/22 CHKD:SYANG16 2015/01/26 APPR:RCHEN08 2015/02/03 REV	▽=0	4 PLACES ±	---	±	---	DRAWN BY	DATE	I-PASS 26CKT ONE DEG. EMI GUIDE RAIL HOUSING ASSEMBLY, MULTI PORT molex DOCUMENT NO. SD-74548-100 SHEET NO. 3 OF 4
	▽=0	3 PLACES ±	---	±	---	CHECKED BY	DATE	
	▽=0	2 PLACES ±	0.13	±	---	BREED	2006/05/26	
	▽=0	1 PLACE ±	0.25	±	---	APPROVED BY	DATE	
	▽=0	0 PLACE ±		±	---	DDOYE	2006/05/26	
DRAFT WHERE APPLICABLE MUST REMAIN WITHIN DIMENSIONS		ANGULAR ±1/2°		SEE P/N TABLE		MATERIAL NO.		
THIS DRAWING CONTAINS INFORMATION THAT IS PROPRIETARY TO MOLEX INCORPORATED AND SHOULD NOT BE USED WITHOUT WRITTEN PERMISSION								

REVISION HISTORY

DATE	REV	DESCRIPTION
2015/01/23	R	1. ADDED *MM 3D MODEL: EM-74548-100 (SD_PACKAGE)* ON LEFT TOP CORNER. [SHT 1] 2. NOTE 7 CHANGED AS *NO RoHS EXEMPTIONS*. [SHT 1] 3. NOTE 6 ADDED *GASKET: CONDUCTIVE ELASTOMER.* [SHT 1] 4. ADDED ELASTOMERIC GASKET FLAMMABILITY RATING. [SHT 1, 2, 3] 5. ADDED 74548-0128. [SHT 2]

SEE REVISION TABLE EC NO: CFG2015-3882 DRWNLU20 2015/01/22 CHKD:SYANG16 2015/01/26 APPR:RCHEM08 2015/02/03	QUALITY SYMBOLS	GENERAL TOLERANCES (UNLESS SPECIFIED)	DIMENSION STYLE	SCALE	DESIGN UNITS	THIRD ANGLE PROJECTION
	=0 =0 =0	mm	MM ONLY	METRIC	TITLE	
		INCH	4 PLACES ± --- ± ---	DRAWN BY DATE	I-PASS 26CKT ONE DEG. EMI GUIDE RAIL HOUSING ASSEMBLY, MULTI PORT molex	
		3 PLACES ± --- ± --- 2 PLACES ± 0.13 ± --- 1 PLACE ± 0.25 ± --- 0 PLACE ± ±	CHECKED BY DATE	SNAVARRO 2006/05/26 BREED 2006/05/26 APPROVED BY DATE DDOYE 2006/05/26		
ANGULAR ±1/2° DRAFT WHERE APPLICABLE MUST REMAIN WITHIN DIMENSIONS	MATERIAL NO.	DOCUMENT NO.	SHEET NO.	SD-74548-100 4 OF 4		
REV	DESCRIPTION	SEE P/N TABLE		THIS DRAWING CONTAINS INFORMATION THAT IS PROPRIETARY TO MOLEX INCORPORATED AND SHOULD NOT BE USED WITHOUT WRITTEN PERMISSION		