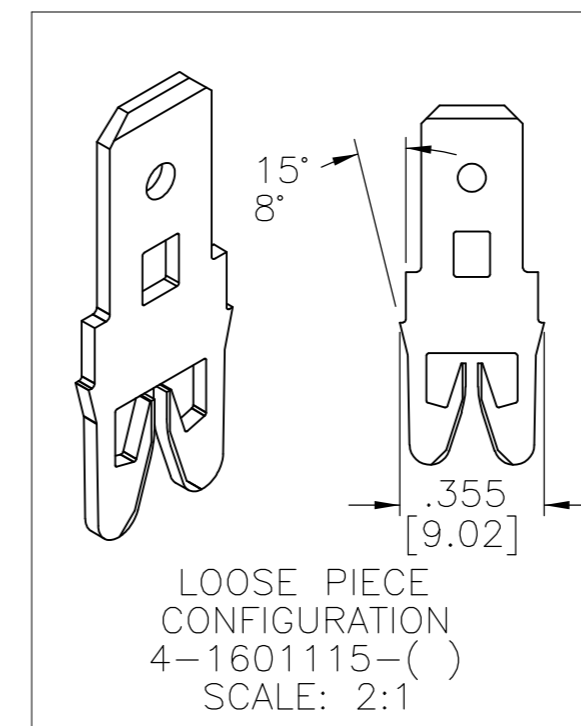
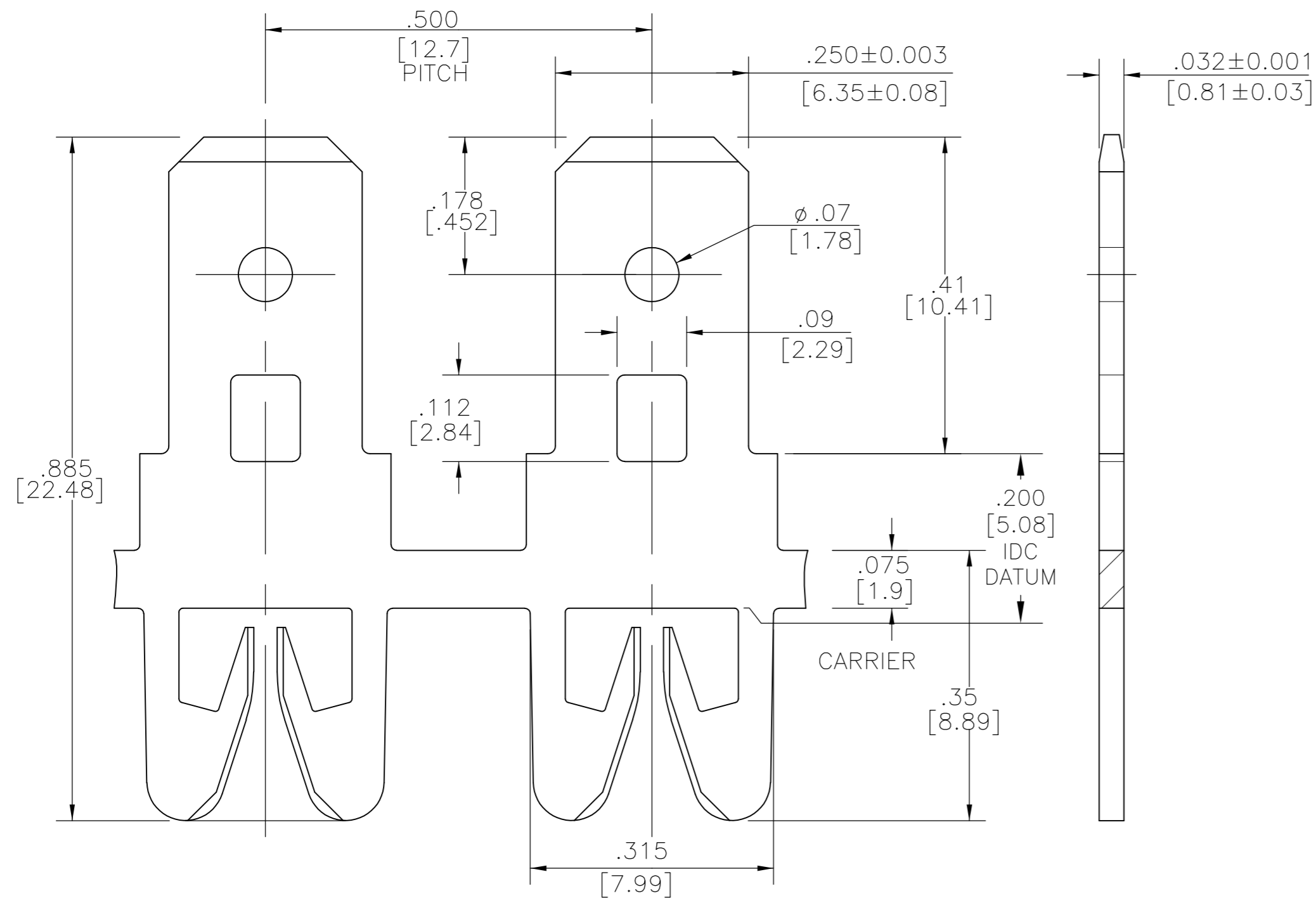
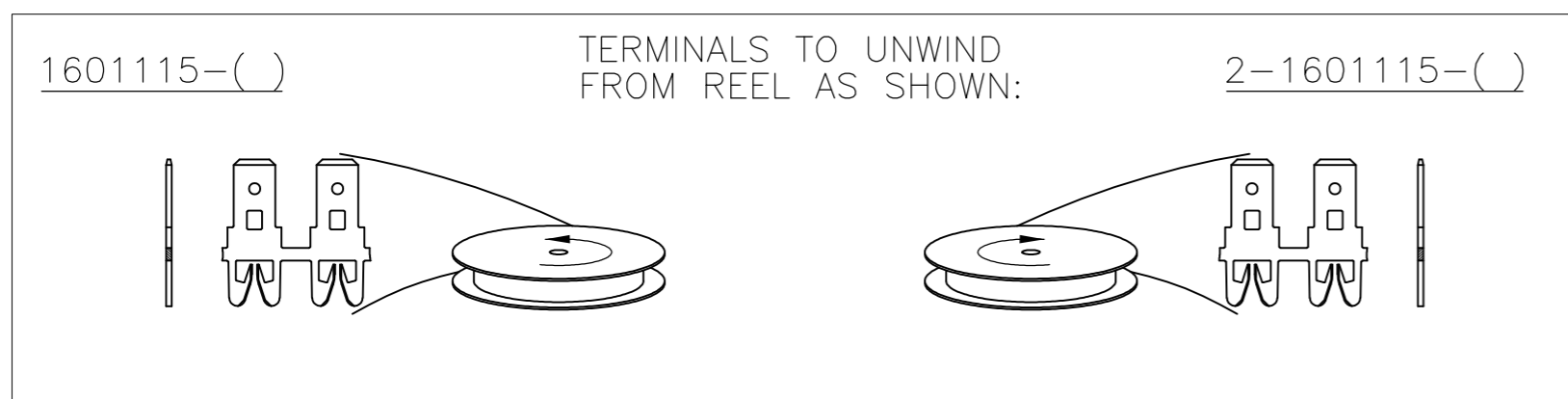


THIS DRAWING IS UNPUBLISHED. RELEASED FOR PUBLICATION  
 © COPYRIGHT - By - ALL RIGHTS RESERVED.

| REVISIONS |     |                       |           |        |
|-----------|-----|-----------------------|-----------|--------|
| P         | LTR | DESCRIPTION           | DATE      | APVD   |
| D3        |     | REV PER ECR-16-009964 | 09AUG2016 | JH TIM |



- SPECIFICATIONS:  
MAGNET WIRE #12 - #20 AWG,  
2.03mm (.080") - 0.81mm (.032") DIA COPPER.  
OTHER SIZES MAY BE ACCOMMODATED,  
CONSULT TYCO ELECTRONICS FOR APPROVAL.
- POCKET RECOMMENDATION : #1601435
- TERMINAL APPLICATION TO COMPLY WITH TYCO ELECTRONICS SPEC 114-13210, FIG 6
- DIMENSIONS SHOWN DO NOT INCLUDE PLATING.
- PRELIMINARY - NOT FOR PRODUCTION.



**OBSOLETE**

|  |                       |                           |
|--|-----------------------|---------------------------|
| -                                      | -                     | -                         |
| POST TIN PLATE OVER COPPER UNDERPLATE  | -                     | 4-1601115-2               |
| UNPLATED                               | 032-009-000           | 4-1601115-1               |
| POST TIN PLATE OVER COPPER UNDERPLATE  | 132-009-001           | 1601115-2                 |
| UNPLATED                               | 132-009-000           | 1601115-1                 |
| FINISH                                 | REFERENCE PART NUMBER | PART NUMBER               |
| THIS DRAWING IS A CONTROLLED DOCUMENT. |                       | DWN MS FEHER 11JAN2002    |
| DIMENSIONS: INCHES                     |                       | CHK M.FEHER 11JAN2002     |
| TOLERANCES UNLESS OTHERWISE SPECIFIED: |                       | APVD K.RANDOLPH 11JAN2002 |
| 0 PLC ± -                              | 1 PLC ± -             | NAME                      |
| 2 PLC ± .01[0.25]                      | 3 PLC ± .005[0.13]    | PRODUCT SPEC              |
| 4 PLC ± -                              | ANGLES ± 2°           | 108-2316                  |
| MATERIAL BRASS, SPRING HARD            | FINISH SEE TABLE      | APPLICATION SPEC          |
| WEIGHT 0.000000                        |                       | SIZE A2                   |
| CUSTOMER DRAWING                       |                       | CAGE CODE 00779           |
| SCALE 1:4                              |                       | DRAWING NO C-1601115      |
| SHEET 1 of 1                           |                       | RESTRICTED TO -           |
| REV D3                                 |                       |                           |



HEAVY RANGE WIRE TO .250 X .032 TAB SIAMEZE TERMINAL