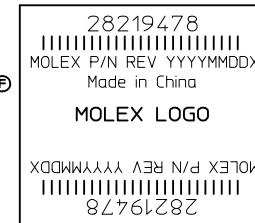
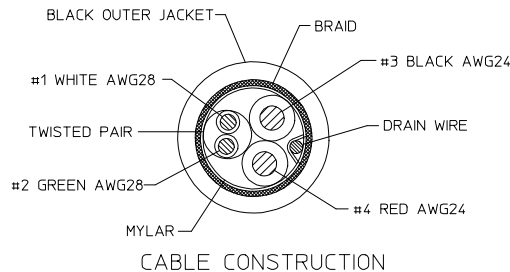


WIRING DIAGRAM

| SIGNAL NAME | CONTACT # | MINI-B INLINE (HOST) | MICRO-FIT 3.0 (TARGET) | CONTACT # | SIGNAL NAME | MICRO-FIT 3.0 CRIMP TERMINAL, FEMALE |
|-------------|-----------|----------------------------|----------------------------|-----------|-------------|--------------------------------------|
| | | WIRE COLORS | WIRE COLORS | | | |
| VBUS | PIN 1 | RED | RED | PIN 1 | VBUS | 43030-0001 (20-24 AWG) |
| D- | PIN 2 | WHITE | WHITE | PIN 2 | D- | 43030-0004 (26-28 AWG) |
| D+ | PIN 3 | GREEN | GREEN | PIN 3 | D+ | 43030-0004 (26-28 AWG) |
| NO CONNECT | PIN 4 | NO CONNECT | NO CONNECT | PIN 4 | NO CONNECT | N/A |
| GND | PIN 5 | BLACK | BLACK | PIN 5 | GND | 43030-0001 (20-24 AWG) |
| CABLE BRAID | SHIELD | BRAID TO SHELL TERMINATION | BRAID TO SHELL TERMINATION | PIN 6 | CABLE BRAID | 43030-0001 (20-24 AWG) |



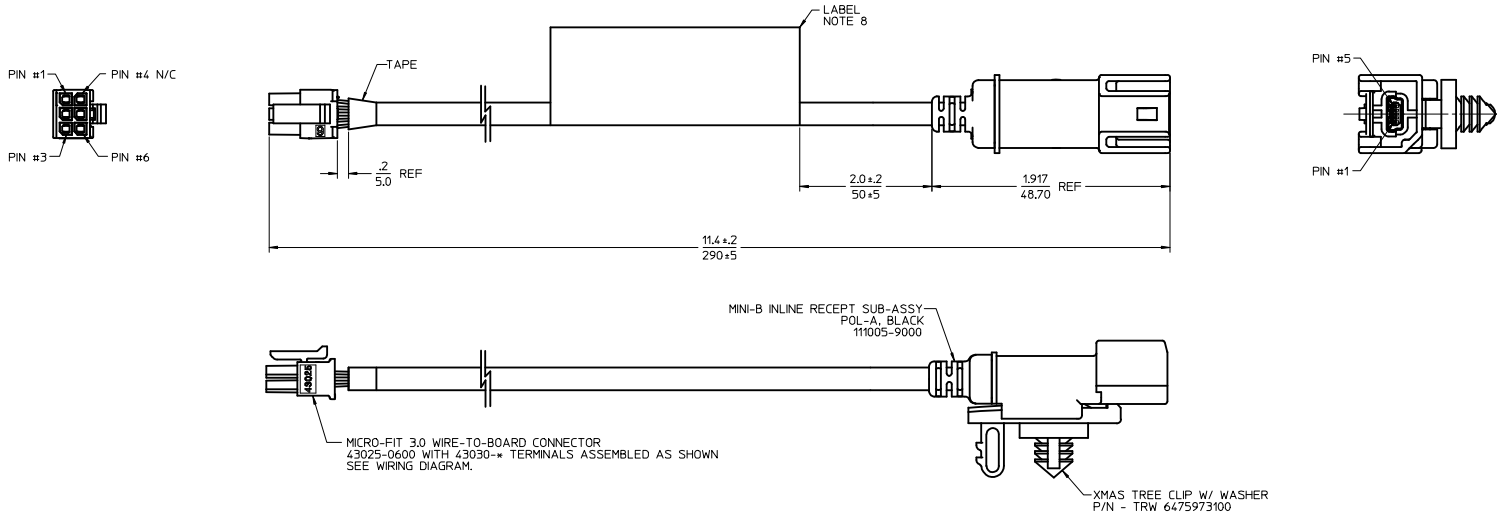
LABEL FORMAT

LAST LETTER OF DATE CODE 'X':
 'D' = DAY SHIFT, 'N' = NIGHT SHIFT
 BAR CODE = CUSTOMER PART NUMBER

NOTES:

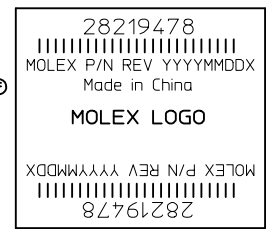
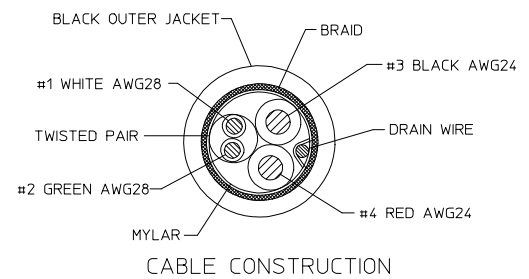
- MOLDED PLASTIC MATERIALS: THERMOPLASTIC, CONTACT MATERIALS: COPPER ALLOY, CABLE: PVC.
- FINISHES: 43030-* TERMINALS TIN PLATED, USB CONTACTS SELECT GOLD OVER TIN.
- PRODUCT SPECIFICATION: PS-43025, PS-43030, PS-68800-001.
- PACKAGING SPECIFICATION: BULK PACKAGED PER PK-*
- MATES WITH: 43020-* PLUGS, 43045-*, 44914-* HEADERS, 111005-* MINI-B PLUGS.
- PART MUST CONFORM TO THE ELECTRICAL CONNECTION SYSTEM DESIGN SPECIFICATION (SDS) VER 13, DATED 06-APR-06, TEMP CLASS *-40-85°C.
- PART MUST CONFORM TO THE LATEST LEVEL OF SAE/USCAR-30 (NOVEMBER 2006) PART MUST CONFORM TO THE LATEST LEVEL OF USB 2.0. (APRIL 27,2000)
- IDENTIFICATION LABEL MUST DISPLAY CUSTOMER PART NUMBER, SUPPLIER PART NUMBER, DATE CODE (YYYYMMDD), REVISION, AND LOGO.
- LEAD FREE, NO ROHS EXEMPTIONS.

| | | | | | | |
|--|-----------------------|---------------------------------------|---|---|--------------|------------------------|
| UPDATED LABEL EEC NO: CPG2014-1600 TDRWNLHSJ01 2014/02/05 CHYD:JPWLCKI 2014/02/05 APPR:RTSAL 2014/03/20 REV DESCRIPTION | QUALITY SYMBOLS | GENERAL TOLERANCES (UNLESS SPECIFIED) | DIMENSION STYLE | SCALE | DESIGN UNITS | THIRD ANGLE PROJECTION |
| | ▽=0 | mm INCH | N/M/M | 2:1 | METRIC | ☉ |
| | ▽=0 | 4 PLACES ± --- ± --- | DRAWN BY DATE | TITLE | | |
| | ▽=0 | 3 PLACES ± --- ± .010 | JPWLCKI 04/16/2009 | USB MINI-B INLINE TO MICRO-FIT 3.0 WTB CONNECTOR CABLE ASSEMBLY | | |
| | 2 PLACES ± 0.30 ± .02 | CHECKED BY DATE | MOLEX LOGO | | | |
| | 1 PLACE ± 0.5 ± --- | KMONROE 04/16/2009 | MATERIAL NO. 1110050001 | | | |
| | 0 PLACE ± --- ± --- | APPROVED BY DATE | DOCUMENT NO. SD-111005-001 | | | |
| | | KMONROE 04/16/2009 | SHEET NO. 1 OF 1 | | | |
| | | | THIS DRAWING CONTAINS INFORMATION THAT IS PROPRIETARY TO MOLEX INCORPORATED AND SHOULD NOT BE USED WITHOUT WRITTEN PERMISSION | | | |



WIRING DIAGRAM

| SIGNAL NAME | CONTACT # | MINI-B INLINE (HOST) | MICRO-FIT 3.0 (TARGET) | CONTACT # | SIGNAL NAME | MICRO-FIT 3.0 CRIMP TERMINAL, FEMALE |
|-------------|-----------|----------------------------|----------------------------|-----------|-------------|--------------------------------------|
| | | WIRE COLORS | WIRE COLORS | | | |
| VBUS | PIN 1 | RED | RED | PIN 1 | VBUS | 43030-0001 (20-24 AWG) |
| D- | PIN 2 | WHITE | WHITE | PIN 2 | D- | 43030-0004 (26-28 AWG) |
| D+ | PIN 3 | GREEN | GREEN | PIN 3 | D+ | 43030-0004 (26-28 AWG) |
| NO CONNECT | PIN 4 | NO CONNECT | NO CONNECT | PIN 4 | NO CONNECT | N/A |
| GND | PIN 5 | BLACK | BLACK | PIN 5 | GND | 43030-0001 (20-24 AWG) |
| CABLE BRAID | SHIELD | BRAID TO SHELL TERMINATION | BRAID TO SHELL TERMINATION | PIN 6 | CABLE BRAID | 43030-0001 (20-24 AWG) |



LABEL FORMAT

LAST LETTER OF DATE CODE 'X':
 'D' = DAY SHIFT, 'N' = NIGHT SHIFT
 BAR CODE = CUSTOMER PART NUMBER

NOTES:

- MOLDED PLASTIC MATERIALS: THERMOPLASTIC, CONTACT MATERIALS: COPPER ALLOY, CABLE: PVC.
- FINISHES: 43030-* TERMINALS TIN PLATED, USB CONTACTS SELECT GOLD OVER TIN.
- PRODUCT SPECIFICATION: PS-43025, PS-43030, PS-68800-001.
- PACKAGING SPECIFICATION: BULK PACKAGED PER PK-*
- MATES WITH: 43020-* PLUGS, 43045-*, 44914-* HEADERS, 111005-* MINI-B PLUGS.
- PART MUST CONFORM TO THE ELECTRICAL CONNECTION SYSTEM DESIGN SPECIFICATION (SDS) VER 13, DATED 06-APR-06, TEMP CLASS *-40-85°C.
- PART MUST CONFORM TO THE LATEST LEVEL OF SAE/USCAR-30 (NOVEMBER 2006) PART MUST CONFORM TO THE LATEST LEVEL OF USB 2.0. (APRIL 27,2000)
- IDENTIFICATION LABEL MUST DISPLAY CUSTOMER PART NUMBER, SUPPLIER PART NUMBER, DATE CODE (YYYYMMDD), REVISION, AND LOGO.
- LEAD FREE, NO ROHS EXEMPTIONS.

| | | | | | | |
|---|--|---|---------------------|-------|--------------|---|
| UPDATED LABEL EEC NO: CPG2014-1600 TDRWNLHSJ01 2014/02/05 CHYD:JPWLCKI 2014/02/05 APPR:RTSAL 2014/03/20 | QUALITY SYMBOLS | GENERAL TOLERANCES (UNLESS SPECIFIED) | DIMENSION STYLE | SCALE | DESIGN UNITS | THIRD ANGLE PROJECTION |
| | ▽=0 | mm INCH | N/M/M | 2:1 | METRIC | ☉ |
| | ▽=0 | 4 PLACES ± --- ± --- | DRAWN BY DATE | | | |
| | ▽=0 | 3 PLACES ± --- ± .010 | JPAWLCKI 04/16/2009 | | | |
| | 2 PLACES ± 0.30 ± .02 | CHECKED BY DATE | | | | TITLE |
| | 1 PLACE ± 0.5 ± --- | KMONROE 04/16/2009 | | | | USB MINI-B INLINE TO MICRO-FIT 3.0 WTB CONNECTOR CABLE ASSEMBLY |
| | 0 PLACE ± --- ± --- | APPROVED BY DATE | | | | molex |
| | | KMONROE 04/16/2009 | | | | |
| | ANGULAR ± 1 ° | MATERIAL NO. | | | | DOCUMENT NO. |
| | DRAFT WHERE APPLICABLE MUST REMAIN WITHIN DIMENSIONS | 1110050001 | | | | SD-111005-001 |
| | | SIZE | | | | SHEET NO. |
| | | D THIS DRAWING CONTAINS INFORMATION THAT IS PROPRIETARY TO MOLEX INCORPORATED AND SHOULD NOT BE USED WITHOUT WRITTEN PERMISSION | | | | 1 OF 1 |