

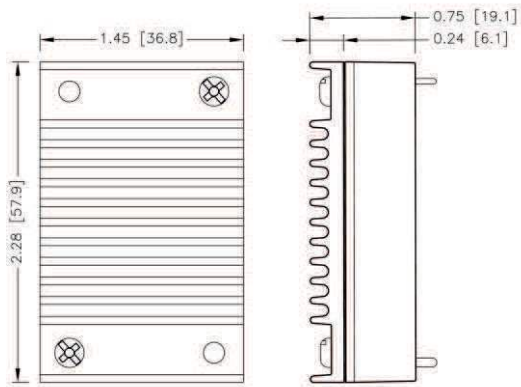
## Heat Sink

## TEP-HS2

<b>Order Code</b>	<b>TEP-HS2</b>
<b>Compatible with</b>	TEP 100UIR, TEP 40UIR, TEP 60UIR
<b>Thermal Impedance</b>	Please refer to converter datasheets
<b>Package Content</b>	Heatsink, thermal pad and mounting screws
<b>Material</b>	AL 6063
<b>Surface Finish</b>	Anodized (black)
<b>Weight</b>	20.7 g (without converter)
<b>RoHS Exemptions</b>	No Exemptions



### Outline Dimensions



Dimensions in inch, [ ] = mm