



Process Sealed Sub-Miniature Pushbutton

Specifications

Electrical Ratings	3A @ 120VAC, 28VDC 1A @ 250VAC See Contact Options	Dielectric Strength	1000Vrms min
Electrical Life	30,000 cycles typical	Insulation Resistance	>100MΩ min
Contact Resistance	<20mΩ initial @ 2-4VDC, 100mA	Operating Temperature	-40°C to 85°C
		Storage Temperature	-40°C to 85°C
		Sealing Degree	IP67

Materials

Actuator	Thermoplastic Polyester
Housing	6/6 Nylon, Glass Filled, Flame Retardant, Heat Stabilized, UL94V-0
Bracket	Brass, Tin-Lead Plated
Contacts	Copper Alloy, Silver Plated
Terminals	Brass, Silver Plated

Ordering Information

1. Series	BSP	2	1	T	C	Q	C842
BSP							
2. Number of Poles							
1 = Single Pole							
2 = Double Pole							
3. Switch Function							
0 = OFF- (ON)							
1 = ON - (ON) For Single Pole only							
4. Actuator / Bushing							
T = 5.46mm actuator, non-threaded							
F = Flush actuator, non-threaded							
5. Terminals							
B = Solder Lug							
C = PC pin							
H = Horizontal mount, right angle PC pin; HS = Snap In							
V = Vertical mount, right angle PC pin; VS = Snap in							
A5 = PC pin with support bracket; A5S = Snap in support bracket							
W = Wire wrap							
6. Contacts							
Q = Silver plated							
R = Gold plated							
G = Gold over Silver plated							
8. Cap Options							
C84	Cap Colors						
C85	See Cap Options for color availability						

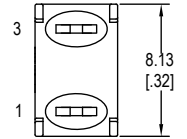
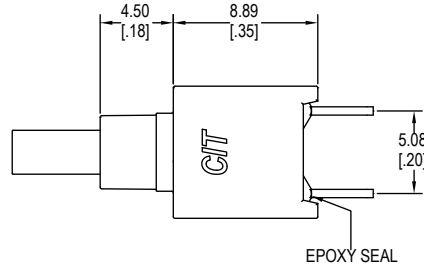
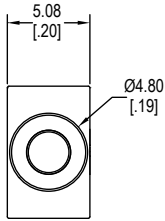
Switch Function



SPST



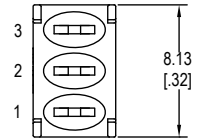
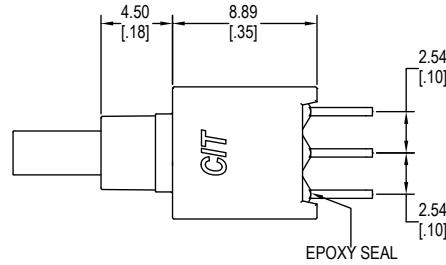
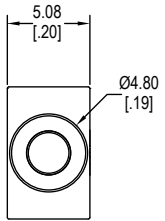
Function	Pushbutton Position	
	0	OFF
Terminals	--	1-3



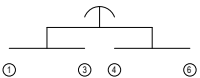
SPDT



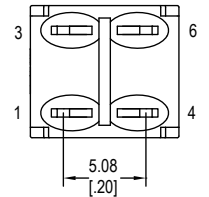
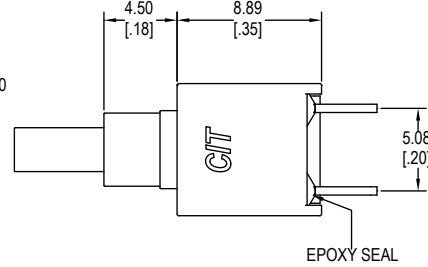
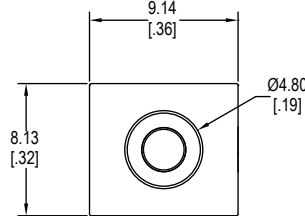
Function	Pushbutton Position	
	1	ON
Terminals	2-1	2-3



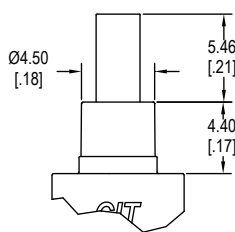
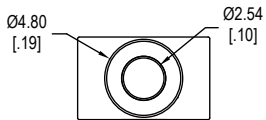
DPST



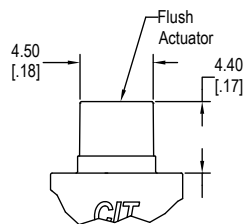
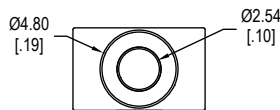
Function	Pushbutton Position	
	0	OFF
Terminals	--	1-3 4-6



Actuator / Bushing Options

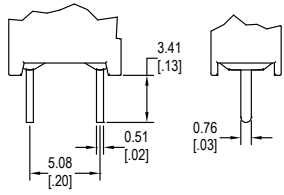


T

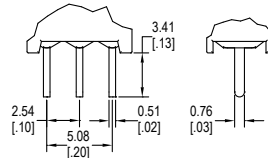


F

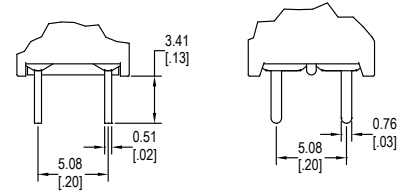
Terminal Options



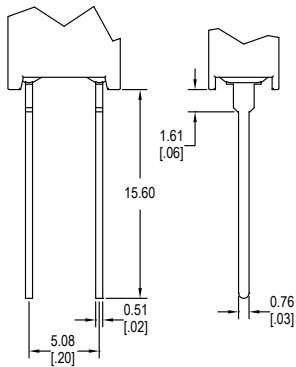
C SPST



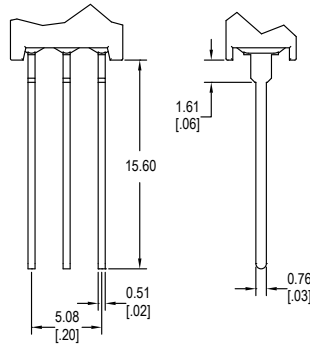
C SPDT



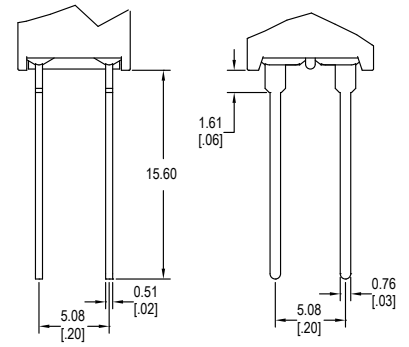
C DPST



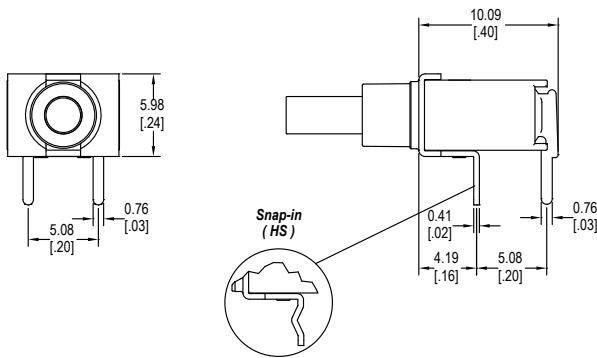
W SPST



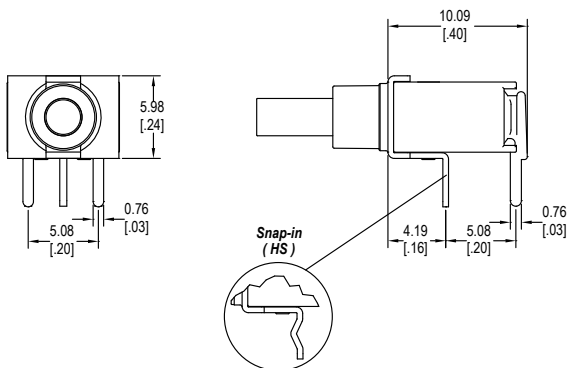
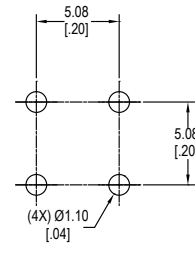
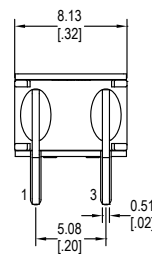
W SPDT



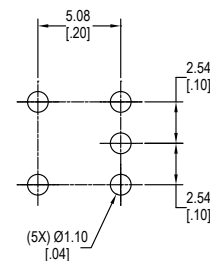
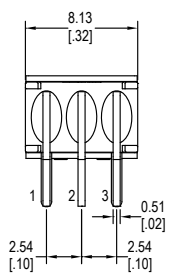
W DPST



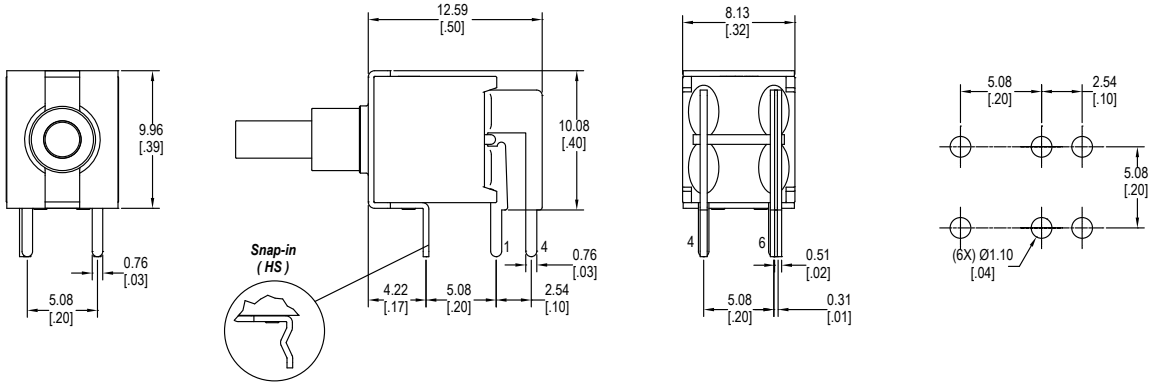
H (HS - Snap In) = Horizontal mount, right angle PC pins, SPST



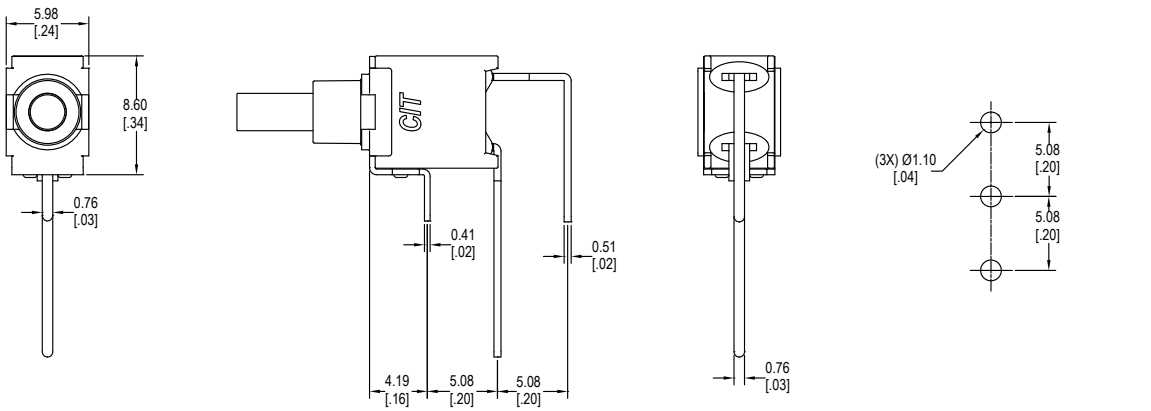
H (HS - Snap In) = Horizontal mount, right angle PC pins, SPDT



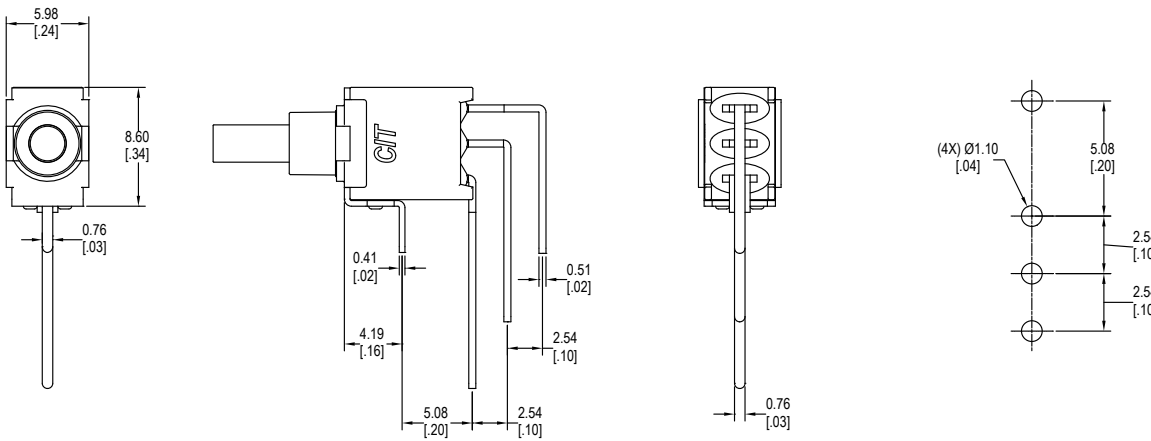
Terminal Options



H (HS - Snap In) = Horizontal mount, right angle PC pins, DPST

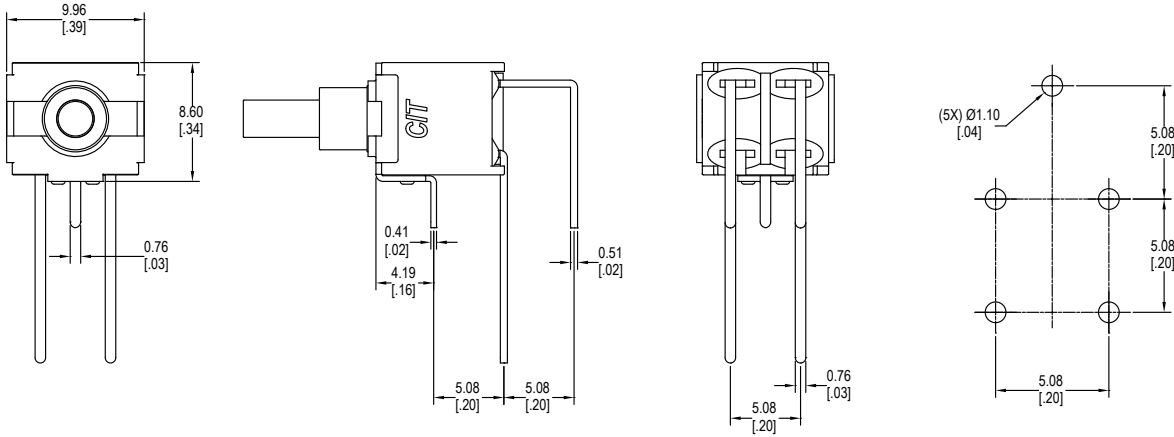


V (VS - Snap In) = Vertical mount, right angle PC pins, SPST

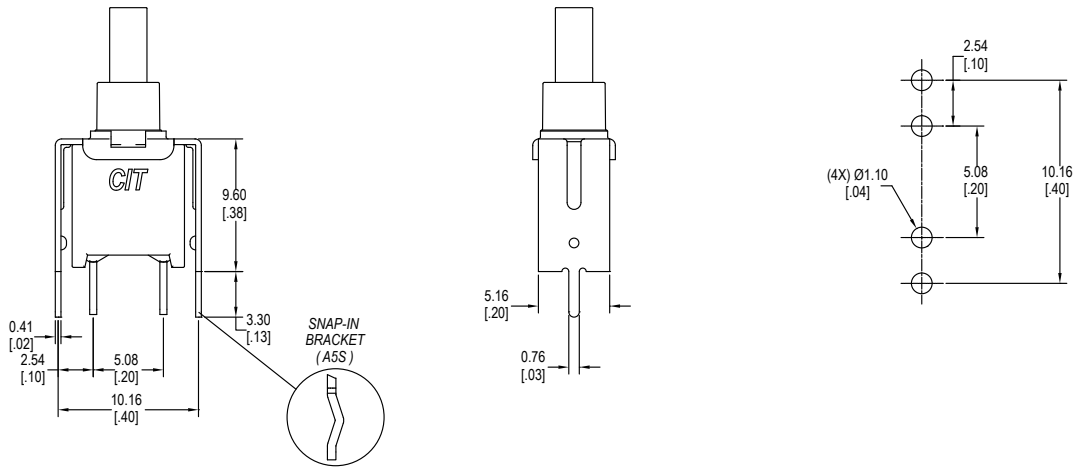


V (VS - Snap In) = Vertical mount, right angle PC pins, SPDT

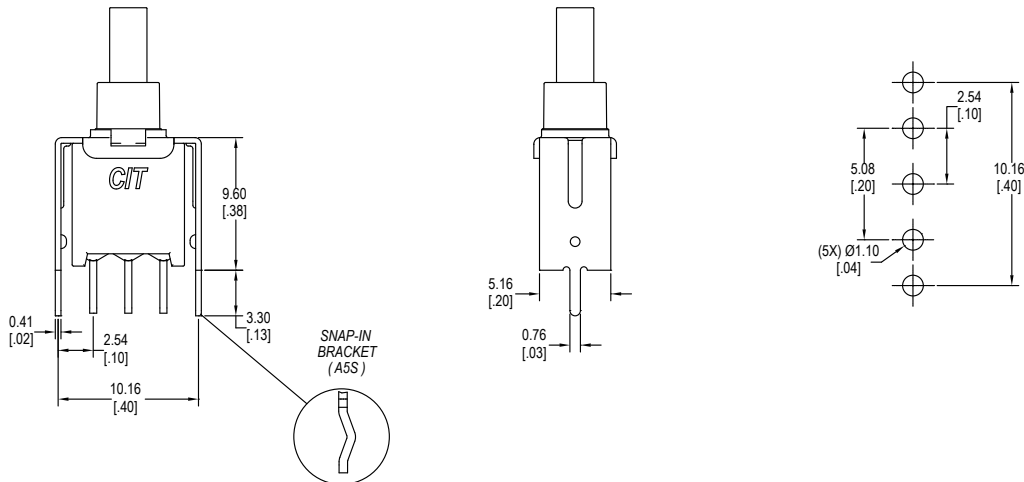
Terminal Options



V (VS - Snap In) = Vertical mount, right angle PC pins, DPST

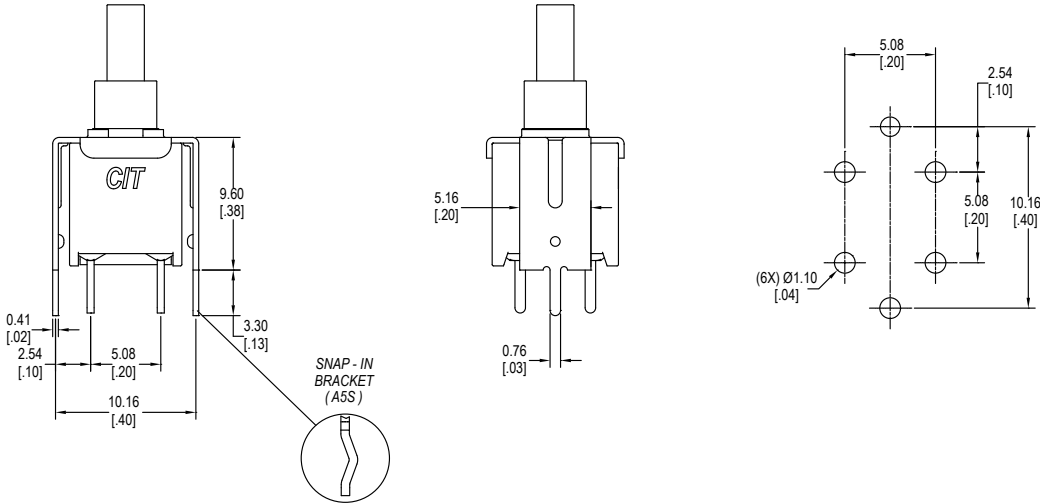


A5 (A5S - Snap In) = C pins with support bracket, SPST



A5 (A5S - Snap In) = C pins with support bracket, SPDT

Terminal Options

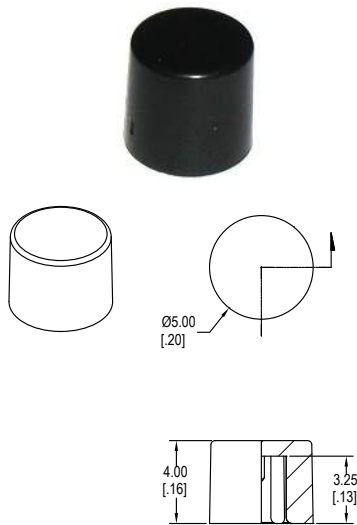


A5 (A5S - Snap In) = C pins with support bracket, DPST

Contact Options

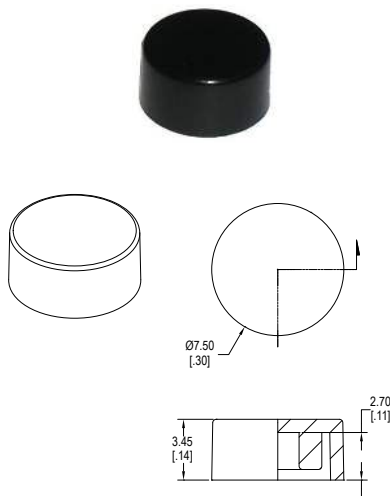
Designator	Contact Material	Terminal Material	Electrical Ratings
Q	Silver Plating	Silver Plating	3A @ 120VAC, 28VDC; 1A @ 250VAC
R	Gold over Nickel Plating	Gold over Nickel Plating	0.4VA max @ 20VAC or VDC max
G	Gold over Silver Plating	Gold over Silver Plating	0.4VA max @ 20VAC or VDC max or 3A @ 120VAC, 28VDC; 1A @ 250VAC

Cap Options



C84_

1 = White, 2 = Black, 3 = Red
Contact Factory for other available colors



C85_

1 = White, 2 = Black, 3 = Red
Contact Factory for other available colors