

4

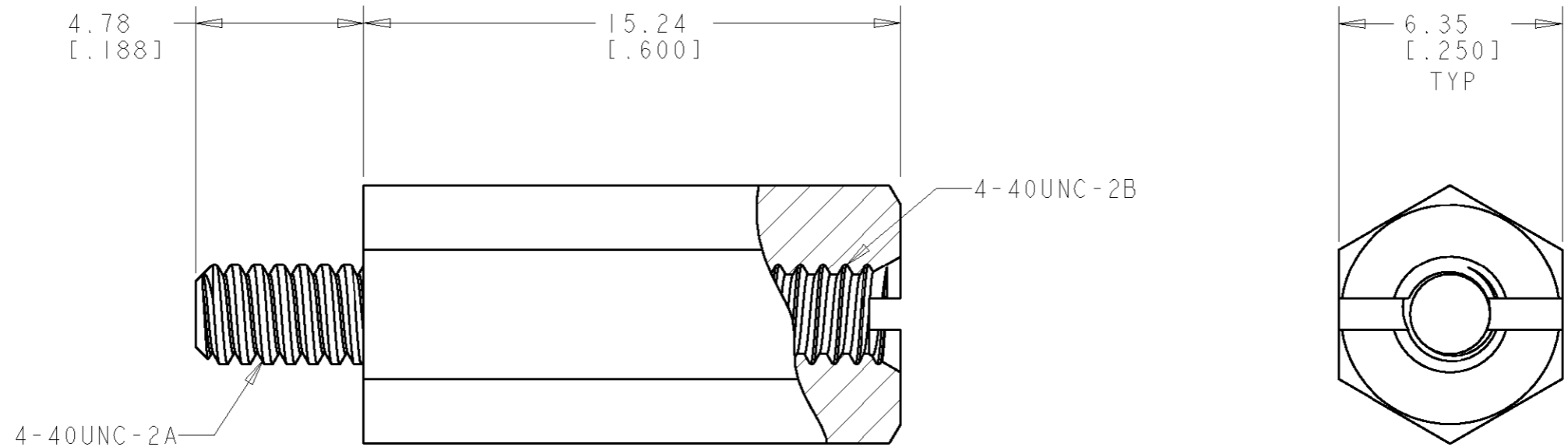
3

2

1

THIS DRAWING IS UNPUBLISHED. RELEASED FOR PUBLICATION 20
 © COPYRIGHT 20 BY TYCO ELECTRONICS CORPORATION. ALL RIGHTS RESERVED.

LOC	DIST	REVISIONS			
P	LTR	DESCRIPTION	DATE	DWN	APVD
	O	REV PER EC 0G3C-0183-01	13JUN2001	MB	JO
	A	ECO-07-012274	31MAY2007	RB	JO



OBSOLETE

1445005-1
PART NO

<small>THIS DRAWING IS A CONTROLLED DOCUMENT FOR TYCO ELECTRONICS CORPORATION IT IS SUBJECT TO CHANGE AND THE CONTROLLING ENGINEERING ORGANIZATION SHOULD BE CONTACTED FOR THE LATEST REVISION.</small>		DWN W.G. LENKER 12JUL2000 CHR J. OLSON 13JUN2001 APVD J. OLSON 13JUN2001	AMP Tyco Electronics Harrisburg, PA 17105-3608
DIMENSIONS: mm [INCHES]	TOLERANCES UNLESS OTHERWISE SPECIFIED:	PRODUCT SPEC APPLICATION SPEC WEIGHT	NAME STANDOFF, PC/104
	0 PLC ±- 1 PLC ±- 2 PLC ±0.13 3 PLC ±- 4 PLC ±- ANGLES ±-	SIZE A3 CAGE CODE 00779 DRAWING NO C-1445005	RESTRICTED TO -
MATERIAL STEEL	FINISH CLEAR CHROMATE OVER ZINC	CUSTOMER DRAWING	SCALE 6:1 SHEET 1 OF 1 REV A