

- 注記:  
NOTES:
- 材料及び仕上げ(めっき仕様): TABLE 1, TABLE2 参照  
MATERIAL AND FINISHES (PLATING SPECIFICATION): SEE TABLE 1, TABLE2.
  - 製品仕様書、コネクタ取扱説明書、適合嵌合相手、適合リテーナーはSHEET 4を  
ご参照下さい。  
PLEASE REFER TO SHEET 4 FOR PRODUCT SPECIFICATION,  
APPLICATION SPECIFICATION, MATE WITH AND APPLICABLE RETAINER.
  - 端子テール部及びネイルの平坦度: 0.12 MAXIMUM  
TAIL AND NAIL COPLANARITY TO BE 0.12 MAXIMUM
  - 極数 / 2 = 偶数に適合  
APPLY TO CIRCUIT SIZE / 2 = EVEN.
  - 発注番号: SHEET 4 参照  
ORDER NUMBER: PLEASE REFER TO SHEET 4

505448\*\*7\*

極数  
CIRCUIT SIZE

NO.	ハウジングカラー HOUSING COLOR
0	ナチュラル(ベージュ) NATURAL(BEIGE)
1	黒 BLACK
2	赤 RED
4	青 BLUE
6	緑 GREEN

29.4	26.25	25	30.85	42
28.15	25	23.75	29.6	40
26.9	23.75	22.5	28.35	38
25.65	22.5	21.25	27.1	36
24.4	21.25	20	25.85	34
23.15	20	18.75	24.6	32
21.9	18.75	17.5	23.35	30
20.65	17.5	16.25	22.1	28
19.4	16.25	15	20.85	26
18.15	15	13.75	19.6	24
16.9	13.75	12.5	18.35	22
15.65	12.5	11.25	17.1	20
14.4	11.25	10	15.85	18
13.15	10	8.75	14.6	16
11.9	8.75	7.5	13.35	14
10.65	7.5	6.25	12.1	12
9.4	6.25	5	10.85	10
8.15	5	3.75	9.6	8
D	C	B	A	極数 CIRCUIT SIZE

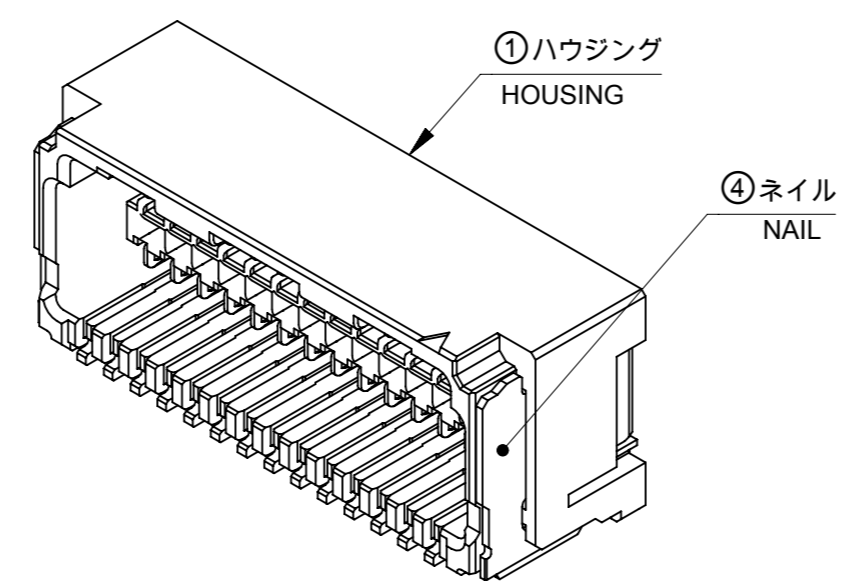
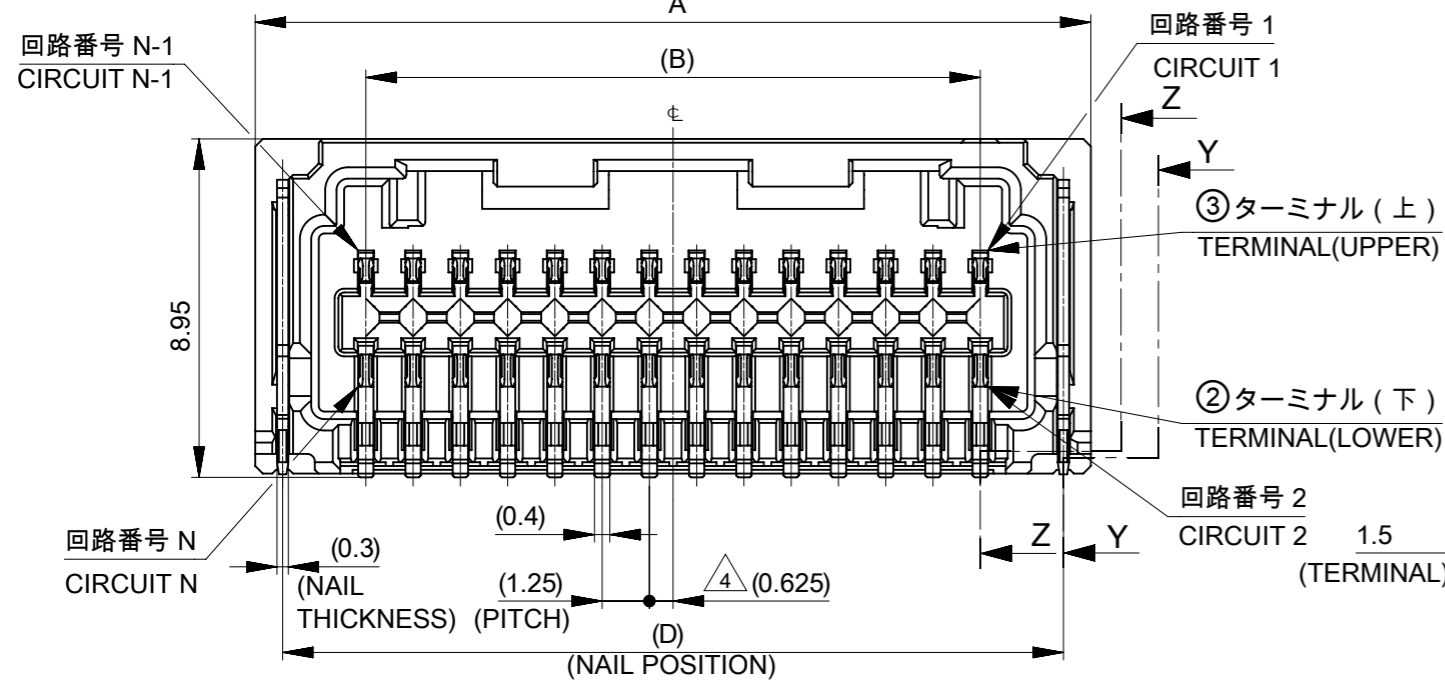
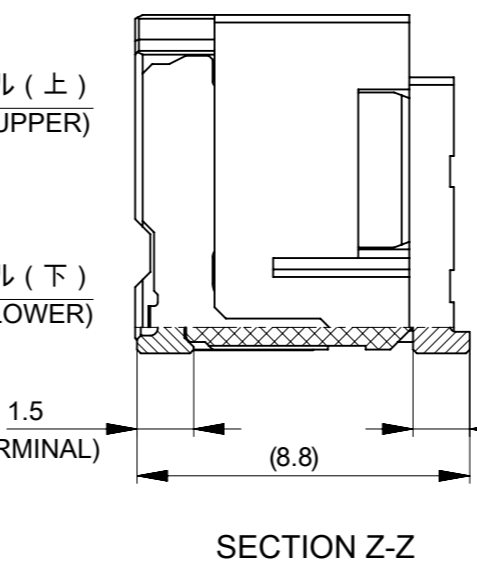
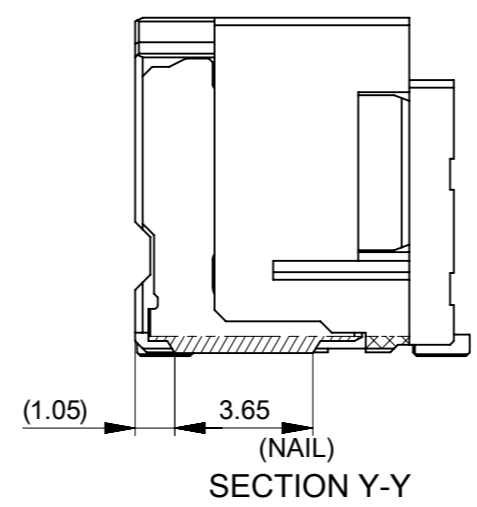
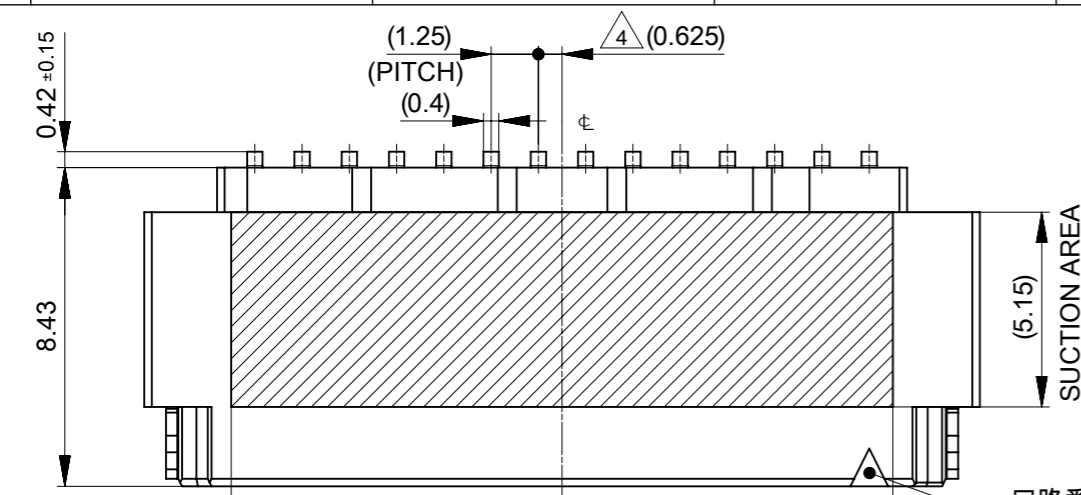


TABLE 1

番号 NO.	部品 PART	材質 MATERIAL
①	ハウジング HOUSING	ポリアミド(PA), UL94V-0, 色: SHEET 4参照 POLYAMIDE(PA), UL94V-0, COLOR: SEE SHEET 4
②	ターミナル 及び ネイル	黄銅 BRASS
③	TERMINAL	錫ビスマスめっき: 1.0 MICROMETER MINIMUM TIN-BISMUTH PLATING
④	AND NAIL	ニッケルめっき(下地めっき): 1.0 MICROMETER MINIMUM NICKEL PLATING (UNDER PLATING)

DOCUMENT STATUS	P1	RELEASE DATE	2023/02/16	15:22:26
-----------------	----	--------------	------------	----------

THIS DRAWING CONTAINS INFORMATION THAT IS PROPRIETARY TO MOLEX ELECTRONIC TECHNOLOGIES, LLC AND SHOULD NOT BE USED WITHOUT WRITTEN PERMISSION

DIMENSION UNITS	SCALE	CURRENT REV DESC:	
mm	NTS		
GENERAL TOLERANCES (UNLESS SPECIFIED)		EC NO: 736271	
ANGULAR TOL ± 3.0°		DRWN: SOKUMURA01	2023/02/01
4 PLACES ± 0.2		CHK'D: SAKIYAMA	2023/02/16
3 PLACES ± 0.2		APPR: AIDA	2023/02/16
2 PLACES ± 0.2		INITIAL REVISION:	
1 PLACE ± 0.2		DRWN: TAKAIKE	2017/01/18
0 PLACES ± 0.2		APPR: TKANEKO	2017/04/03
DRAFT WHERE APPLICABLE MUST REMAIN WITHIN DIMENSIONS		THIRD ANGLE PROJECTION	DRAWING
		A3-SIZE	SERIES
		505448	MATERIAL NUMBER
		SEE SHEET 4	CUSTOMER
		GENERAL	SHEET NUMBER
			1 OF 4

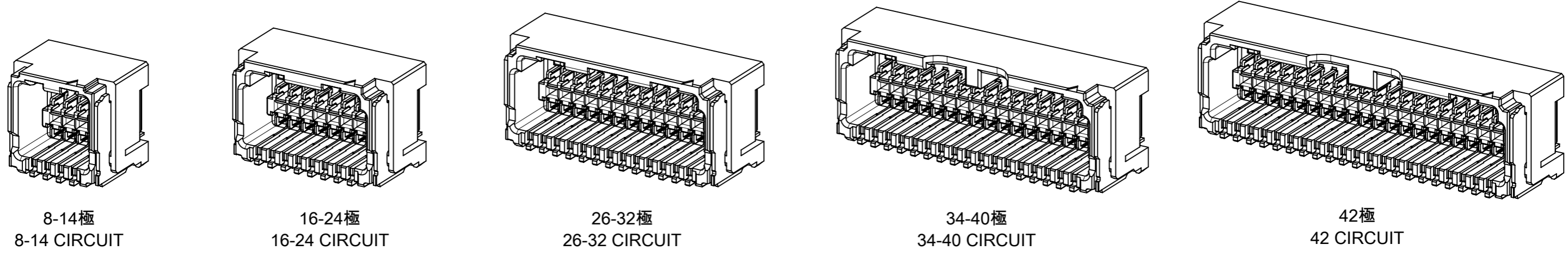
**molex**

MICRO-LOCK PLUS 1.25 W/B  
DUAL ROW RIGHT ANGLE SMT PLUG ASSEMBLY  
TIN-BISMUTH PLATING

PRODUCT CUSTOMER DRAWING

DOCUMENT NUMBER	DOC TYPE	DOC PART	REVISION
5054480000	PSD	000	D

製品形状  
PRODUCT SHAPE



8-14極  
8-14 CIRCUIT

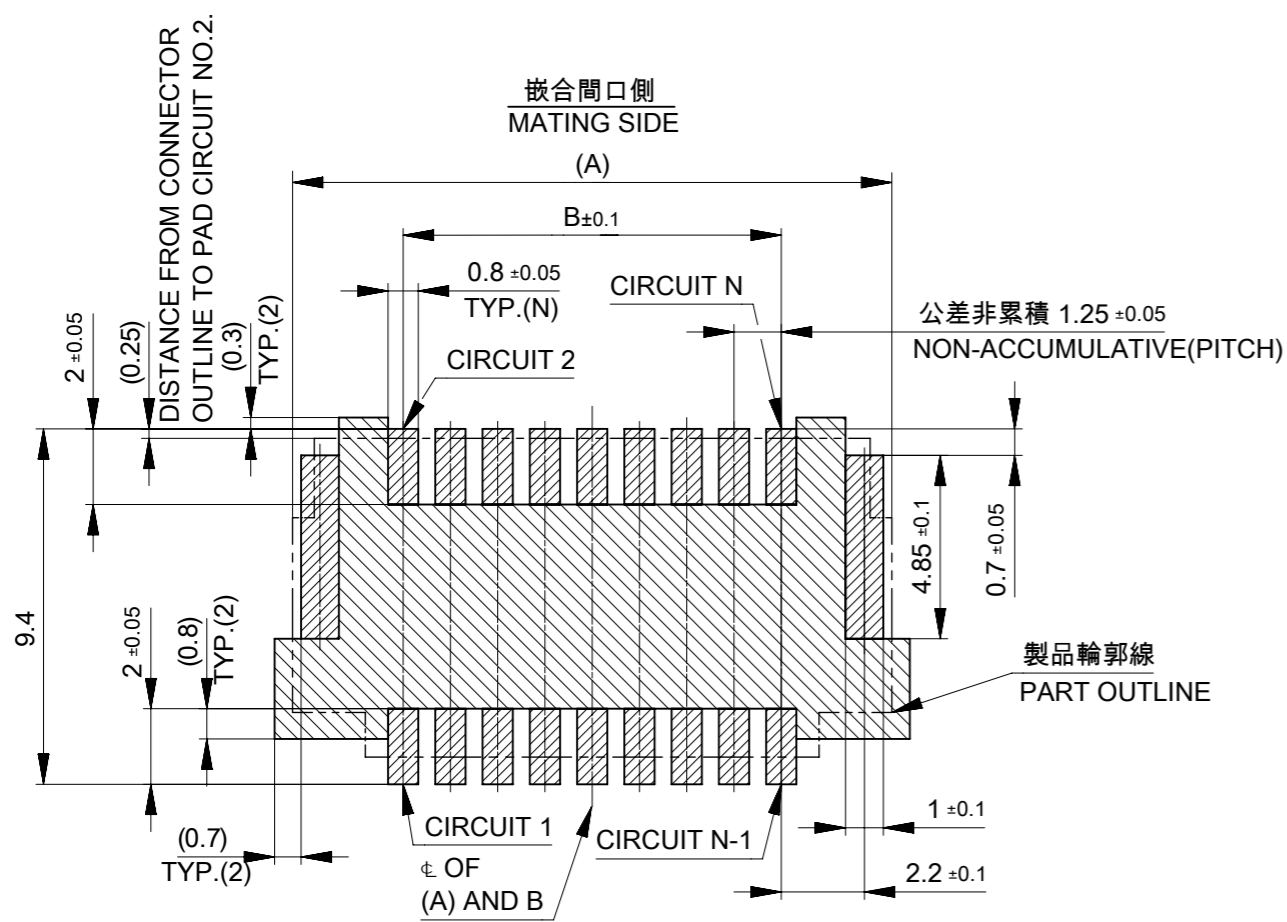
16-24極  
16-24 CIRCUIT

26-32極  
26-32 CIRCUIT

34-40極  
34-40 CIRCUIT

42極  
42 CIRCUIT

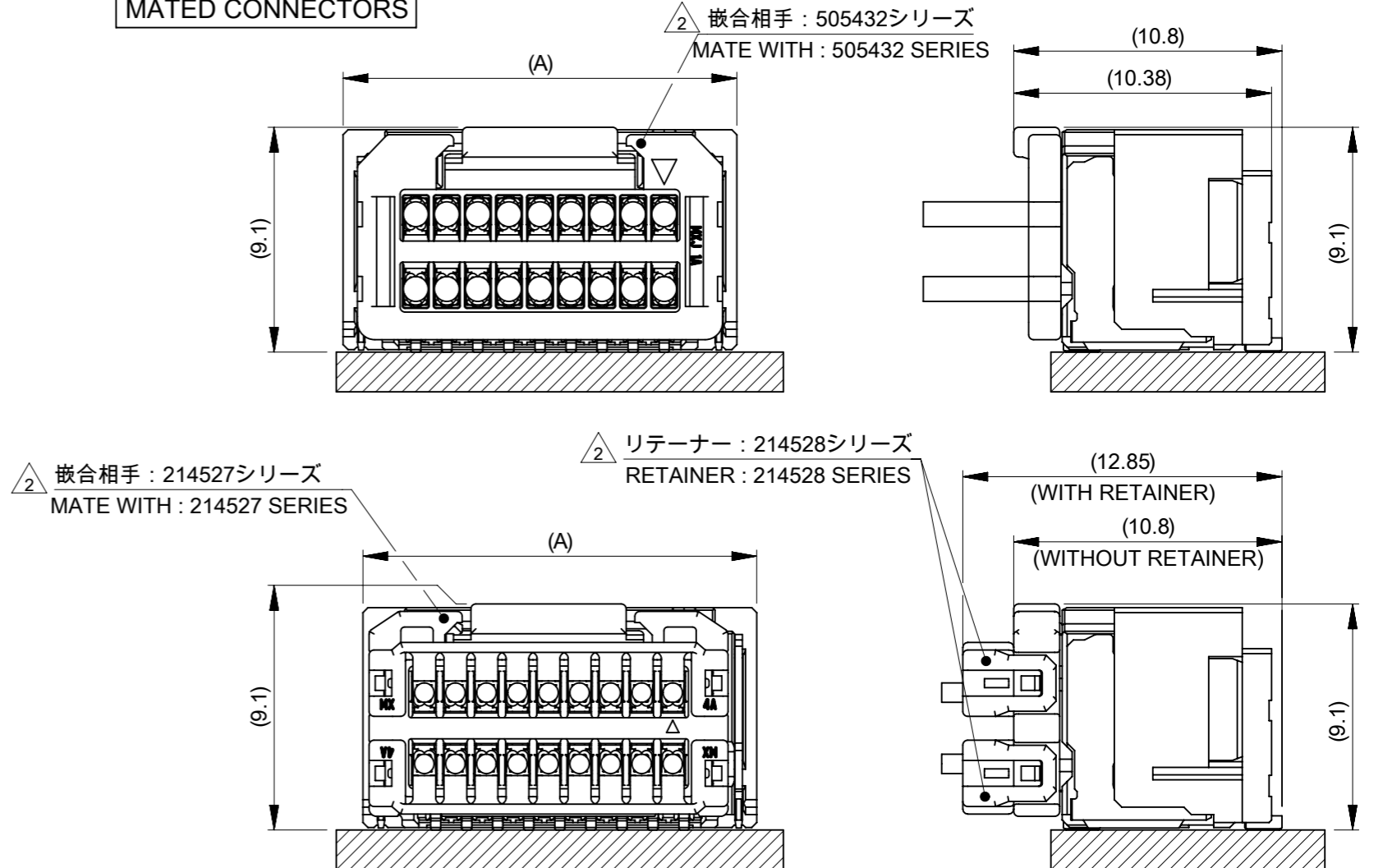
基板パターンレイアウト  
PCB PATTERN LAYOUT



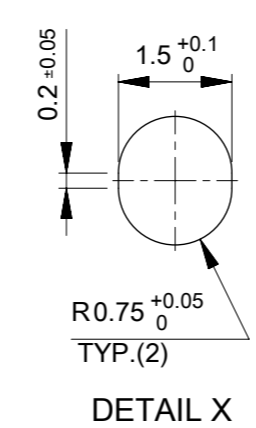
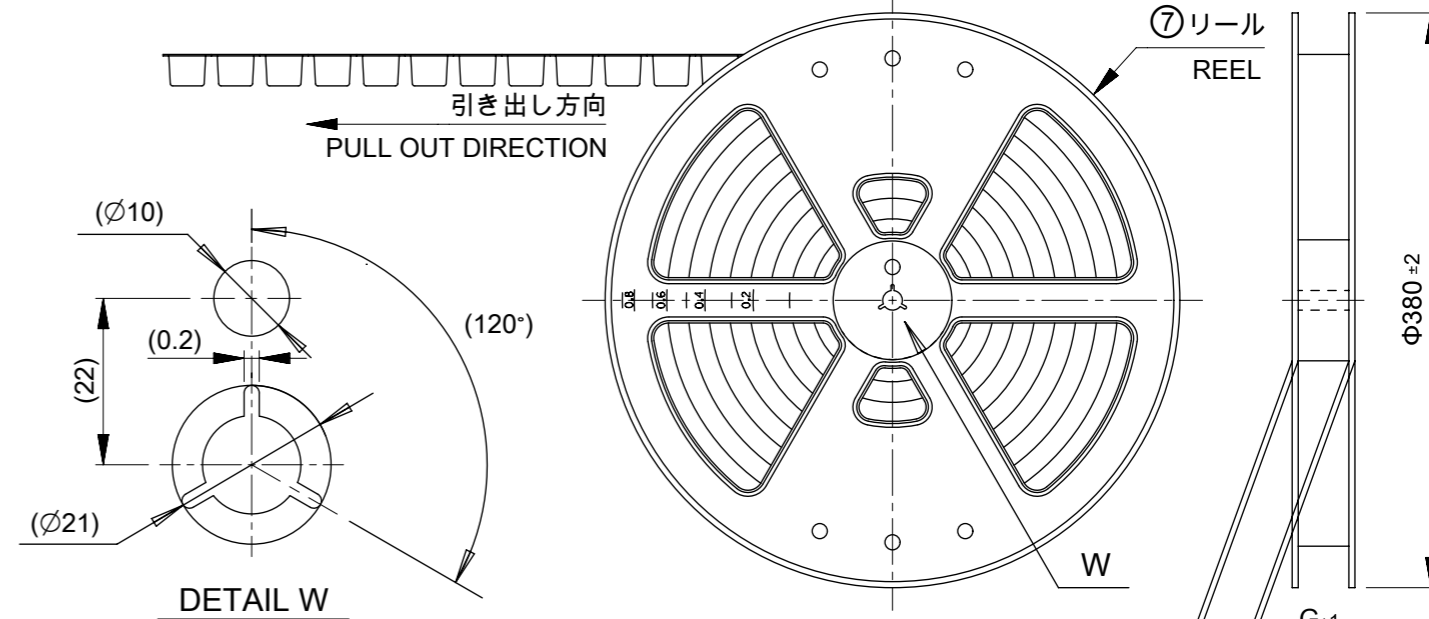
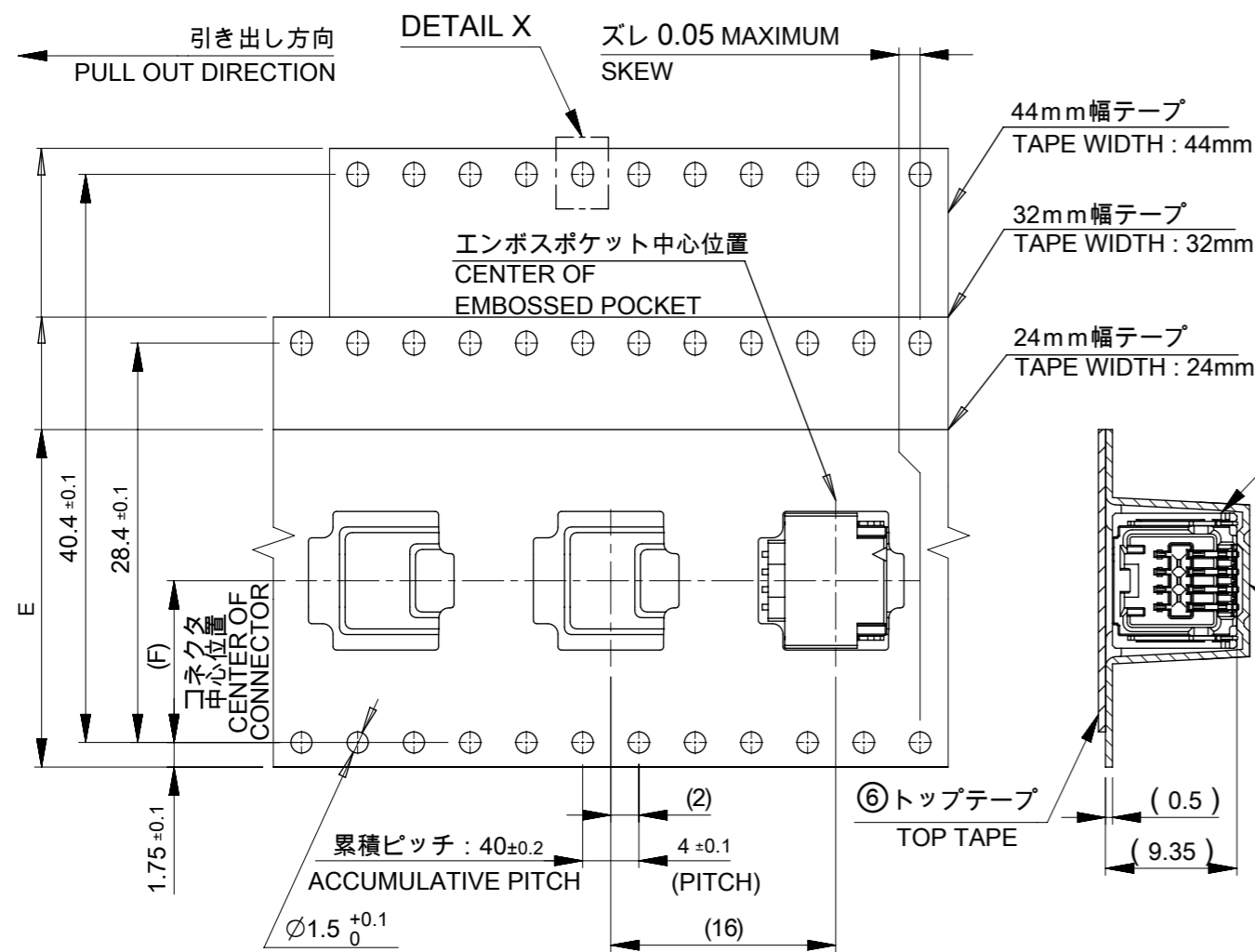
基板パターンレイアウト (参考)  
(参考: 基板厚 1.6mm, メタルマスク厚さ 0.15mm, マスク開口率 100%)  
RECOMMEND PCB LAYOUT : COMPONENT SIDE  
(REFERENCE : PCB THICKNESS 1.6mm, STENCIL THICKNESS 0.15mm, APERTURE RATIO 100%)

パターン非推奨エリア  
パターンを引き回す際は、製品機能に影響がないことをご確認ください。  
PATTERN IS NOT RECOMMENDED ON THE HATCHING AREA  
PLEASE CHECK NOT TO HAVE PROBLEM FOR PRODUCT FUNCTION  
WHEN SETTING PATTERN ON THE HATCHING AREA.

嵌合状態図  
MATED CONNECTORS

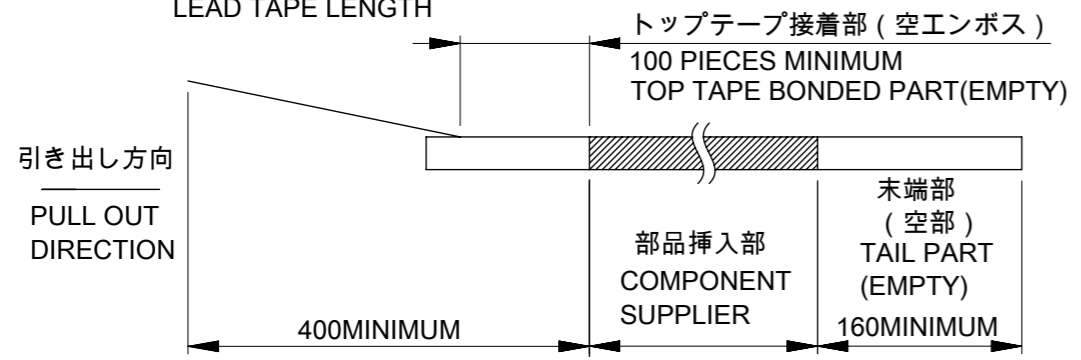


THIS DRAWING CONTAINS INFORMATION THAT IS PROPRIETARY TO MOLEX ELECTRONIC TECHNOLOGIES, LLC AND SHOULD NOT BE USED WITHOUT WRITTEN PERMISSION		CURRENT REV DESC:		<b>molex</b>	
DIMENSION UNITS	SCALE				
mm	NTS			MICRO-LOCK PLUS 1.25 W/B DUAL ROW RIGHT ANGLE SMT PLUG ASSEMBLY TIN-BISMUTH PLATING	
GENERAL TOLERANCES (UNLESS SPECIFIED)				PRODUCT CUSTOMER DRAWING	
ANGULAR TOL	± 3.0 °			DOCUMENT NUMBER	
4 PLACES	± 0.2	EC NO: 736271	2023/02/01	5054480000	
3 PLACES	± 0.2	DRWN: SOKUMURA01	2023/02/16	DOC TYPE	DOC PART
2 PLACES	± 0.2	CHK'D: SAKIYAMA	2023/02/16	PSD	000
1 PLACE	± 0.2	APPR: AIDA	2023/02/16	REVISION	
0 PLACES	± 0.2	INITIAL REVISION:		D	
DRAFT WHERE APPLICABLE MUST REMAIN WITHIN DIMENSIONS		DRWN: TAKAIKE	2017/01/18	SHEET NUMBER	
THIRD ANGLE PROJECTION		APPR: TKANEKO	2017/04/03	SEE SHEET 4	GENERAL
DRAWING		SERIES	MATERIAL NUMBER	CUSTOMER	
A3-SIZE		505448	GENERAL	2 OF 4	



**注記 NOTES**

- 6. 梱包数量 : 500個  
NUMBER OF CONNECTORS : 500 PIECES/REEL.
- 7. 梱包仕様書 : 5054489200 PS 200  
PACKING SPECIFICATION : 5054489200 PS 200
- 8. リードテープ長さ  
LEAD TAPE LENGTH



9. トップテープの剥離強度については、IEC60286-3に準拠  
TOP TAPE PEEL FORCE IS DEFINED BY IEC60286-3.

TABLE 2

番号 NO.	部品 PART	材質 MATERIAL
⑤	エンボステープ EMBOSSSED TAPE	ポリスチレン(PS) POLYSTYRENE(PS)
⑥	トップテープ TOP TAPE	ポリエチレン(PE)、その他 POLYETHYLENE(PE), OTHER
⑦	リール REEL	ポリスチレン(PS) <リサイクル材を含む> POLYSTYRENE(PS) < RECYCLE MATERIRAL CONTAINED >

				42
				40
				38
				36
				34
				32
				30
				28
				26
				24
				22
49.4	45.4	20.2	44±0.3	20
				18
				16
				14
37.4	33.4	14.2	32±0.3	12
				10
				8
29.4	25.4	11.5	24 <sup>+0.3</sup> <sub>-0.1</sub>	極数 CIRCUIT SIZE
H	G	F	E	


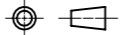
THIS DRAWING CONTAINS INFORMATION THAT IS PROPRIETARY TO MOLEX ELECTRONIC TECHNOLOGIES, LLC AND SHOULD NOT BE USED WITHOUT WRITTEN PERMISSION		CURRENT REV DESC:		<b>molex</b>	
DIMENSION UNITS mm	SCALE NTS				
GENERAL TOLERANCES (UNLESS SPECIFIED)		EC NO: 736271		MICRO-LOCK PLUS 1.25 W/B DUAL ROW RIGHT ANGLE SMT PLUG ASSEMBLY TIN-BISMUTH PLATING	
ANGULAR TOL ± 3.0°		DRWN: SOKUMURA01 2023/02/01			
4 PLACES ± 0.2		CHK'D: SAKIYAMA 2023/02/16		PRODUCT CUSTOMER DRAWING	
3 PLACES ± 0.2		APPR: AIDA 2023/02/16			
2 PLACES ± 0.2		INITIAL REVISION:		DOCUMENT NUMBER	
1 PLACE ± 0.2		DRWN: TAKAIKE 2017/01/18		5054480000	
0 PLACES ± 0.2		APPR: TKANEKO 2017/04/03		DOC TYPE DOC PART REVISION	
DRAFT WHERE APPLICABLE MUST REMAIN WITHIN DIMENSIONS		THIRD ANGLE PROJECTION	DRAWING	SERIES	MATERIAL NUMBER
			A3-SIZE	505448	SEE SHEET 4
				CUSTOMER	GENERAL
					SHEET NUMBER
					3 OF 4

△ 2 適合製品及び各種仕様書 APPLICABLE PRODUCTS AND VARIOUS SPECIFICATIONS

梱包仕様書 PACKAGING SPECIFICATION		5054489200 PS 200	
適合嵌合相手 MATE WITH	シリーズ番号 SERIES NUMBER	505432	214527
	リテーナー対応 RETAINER COMPLIANT	NOT COMPLIANT	COMPLIANT (NATURAL, BLACK, RED, BLUE)
適合リテーナーシリーズ番号 APPLICABLE RETAINER SERIES NUMBER		-	214528
製品仕様書 PRODUCT SPECIFICATION		5054320000 PS 002	2145270000-PS PS 000
コネクタ取扱説明書 APPLICATION SPECIFICATION		5054320000-AS PS 000	

△ 5 505448\*\*7\* 製品番号一覧 PRODUCT NUMBER LIST

GREEN	BLUE	RED	BLACK	NATURAL (BEIGE)	HOUSING COLOR
5054484276	5054484274	5054484272	5054484271	5054484270	42
5054484076	5054484074	5054484072	5054484071	5054484070	40
5054483876	5054483874	5054483872	5054483871	5054483870	38
5054483676	5054483674	5054483672	5054483671	5054483670	36
5054483476	5054483474	5054483472	5054483471	5054483470	34
5054483276	5054483274	5054483272	5054483271	5054483270	32
5054483076	5054483074	5054483072	5054483071	5054483070	30
5054482876	5054482874	5054482872	5054482871	5054482870	28
5054482676	5054482674	5054482672	5054482671	5054482670	26
5054482476	5054482474	5054482472	5054482471	5054482470	24
5054482276	5054482274	5054482272	5054482271	5054482270	22
5054482076	5054482074	5054482072	5054482071	5054482070	20
5054481876	5054481874	5054481872	5054481871	5054481870	18
5054481676	5054481674	5054481672	5054481671	5054481670	16
5054481476	5054481474	5054481472	5054481471	5054481470	14
5054481276	5054481274	5054481272	5054481271	5054481270	12
5054481076	5054481074	5054481072	5054481071	5054481070	10
5054480876	5054480874	5054480872	5054480871	5054480870	8
発注番号 ORDER NO.					極数 CIRCUIT SIZE
梱包形態 : インボステーブ梱包 PACKAGING STYLE : EMBOSSED TAPE AND REEL					

THIS DRAWING CONTAINS INFORMATION THAT IS PROPRIETARY TO MOLEX ELECTRONIC TECHNOLOGIES, LLC AND SHOULD NOT BE USED WITHOUT WRITTEN PERMISSION											
DIMENSION UNITS mm		SCALE NTS		CURRENT REV DESC:							
GENERAL TOLERANCES (UNLESS SPECIFIED)				 MICRO-LOCK PLUS 1.25 W/B DUAL ROW RIGHT ANGLE SMT PLUG ASSEMBLY TIN-BISMUTH PLATING							
ANGULAR TOL ± 3.0 °											
4 PLACES ± 0.2		3 PLACES ± 0.2		2 PLACES ± 0.2		1 PLACE ± 0.2		0 PLACES ± 0.2			
DRAFT WHERE APPLICABLE MUST REMAIN WITHIN DIMENSIONS				THIRD ANGLE PROJECTION 		DRAWING A3-SIZE		SERIES 505448		MATERIAL NUMBER SEE CHART	
DOCUMENT STATUS		P1		RELEASE DATE		2023/02/16		15:22:26			