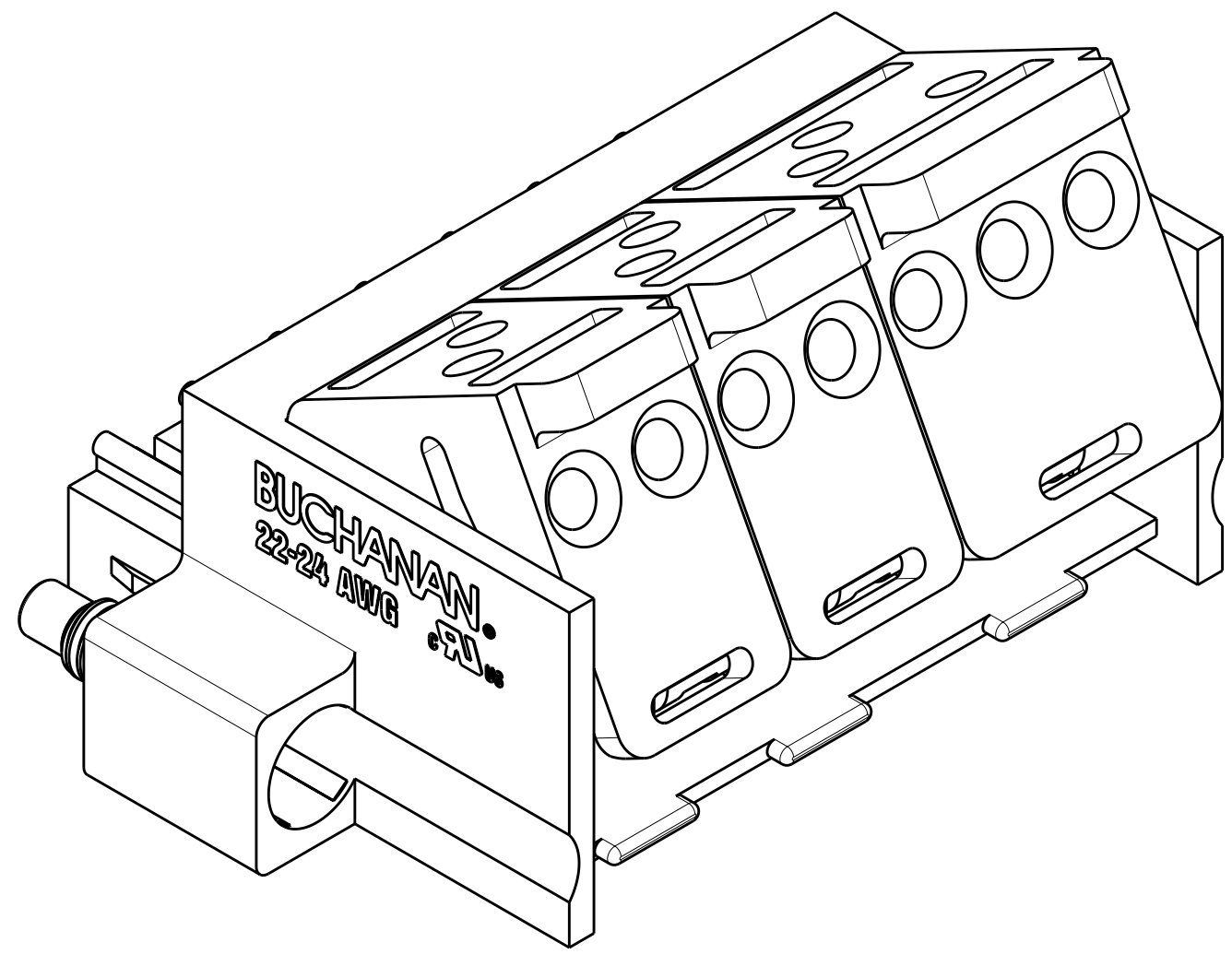
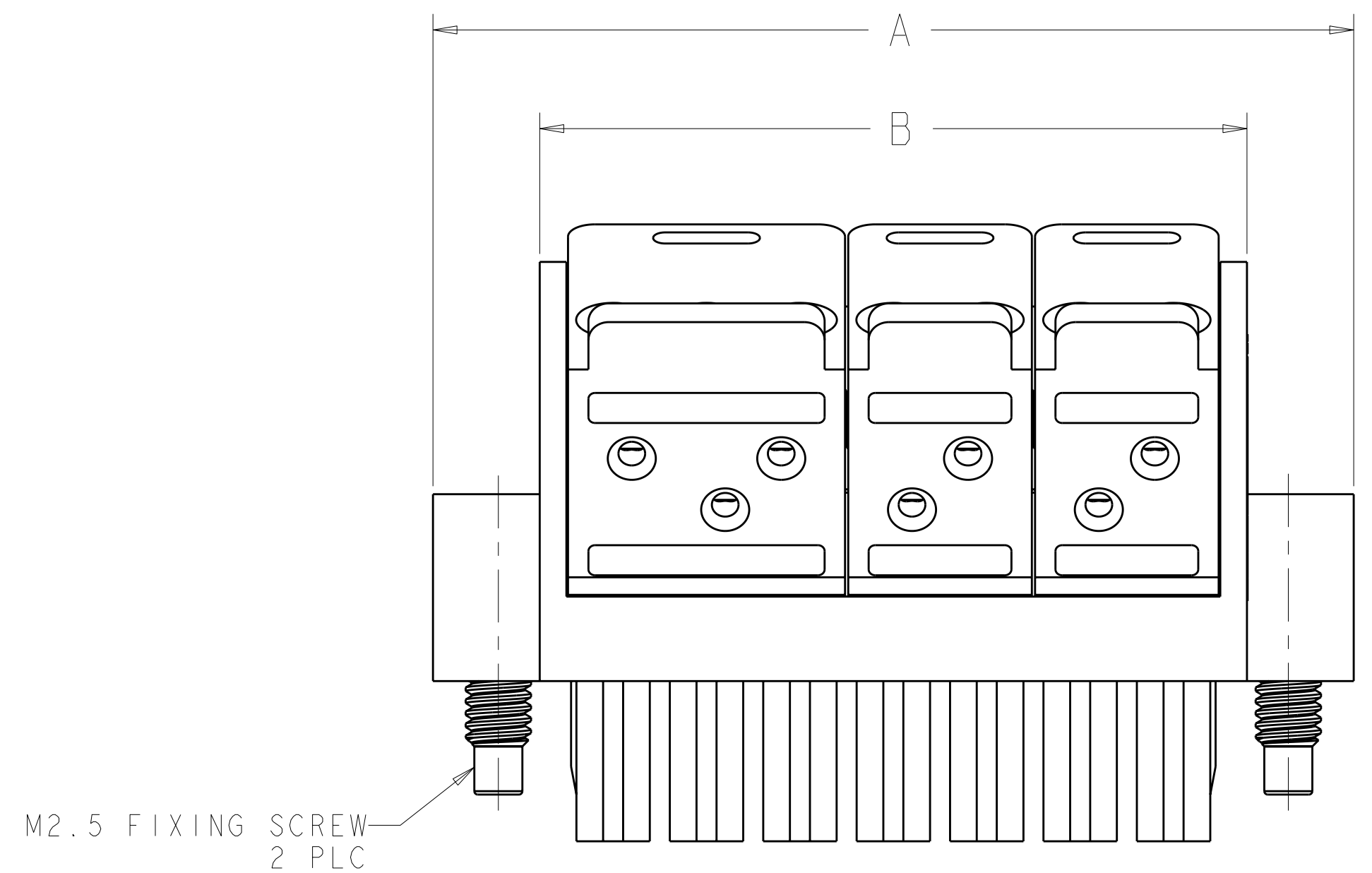
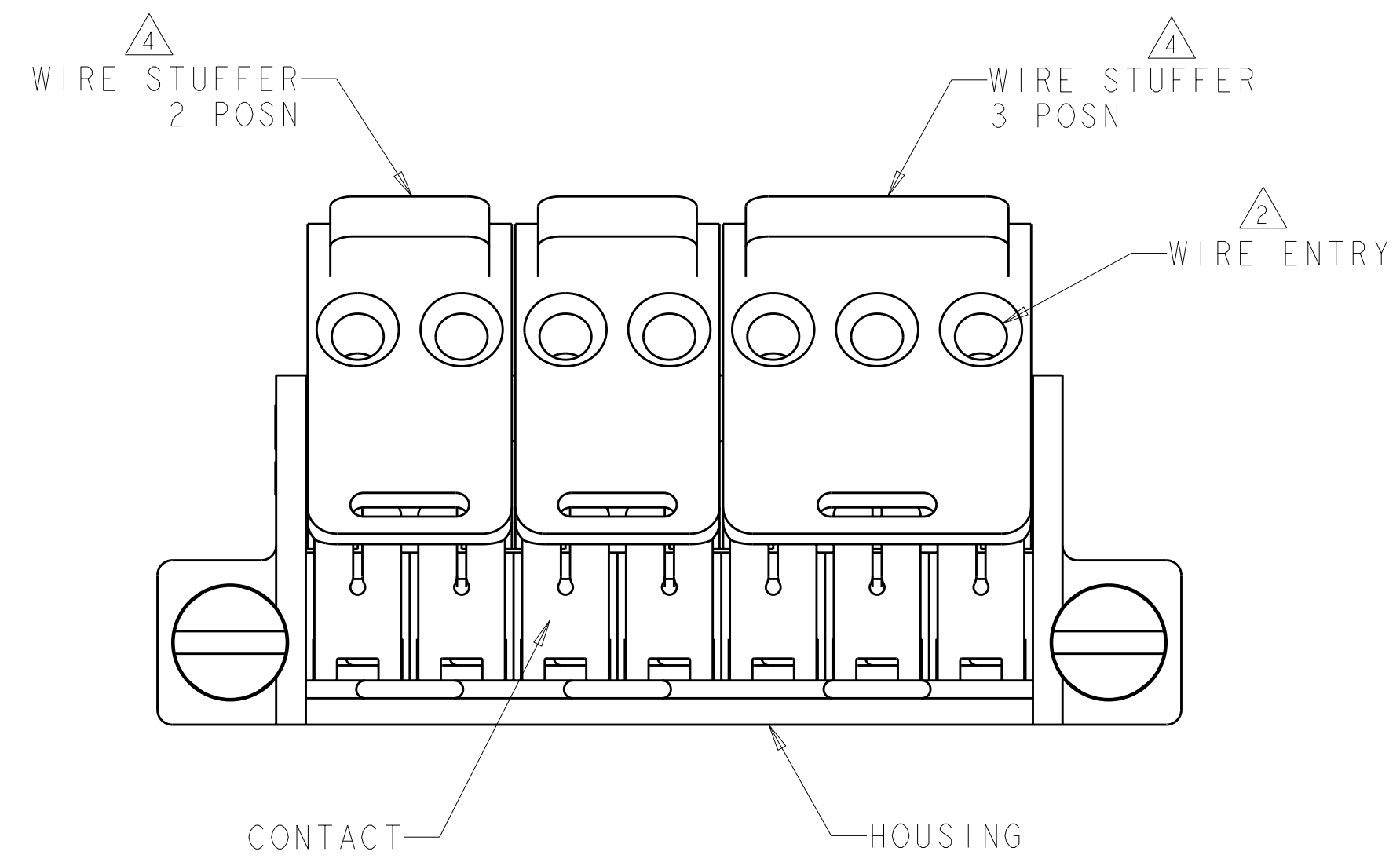
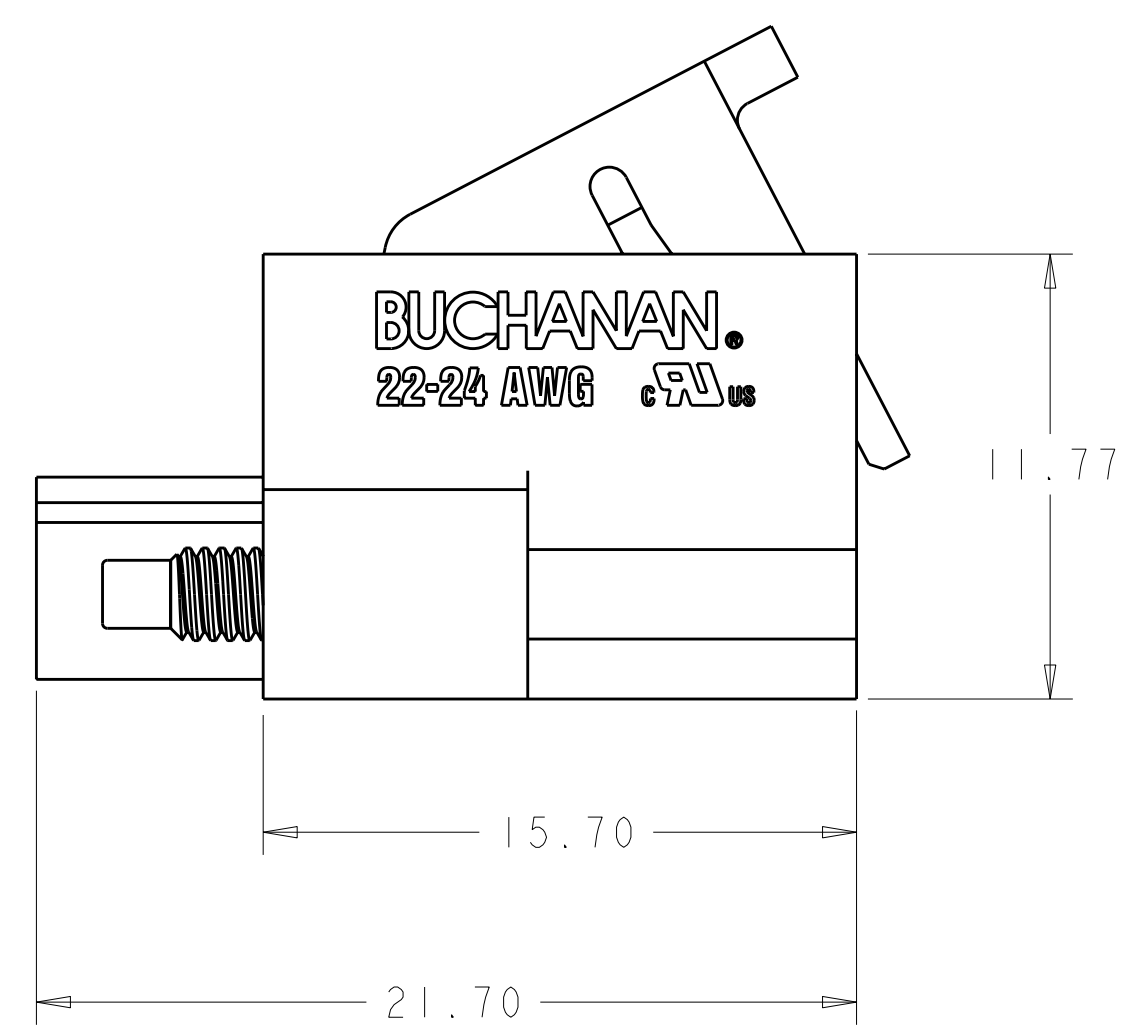
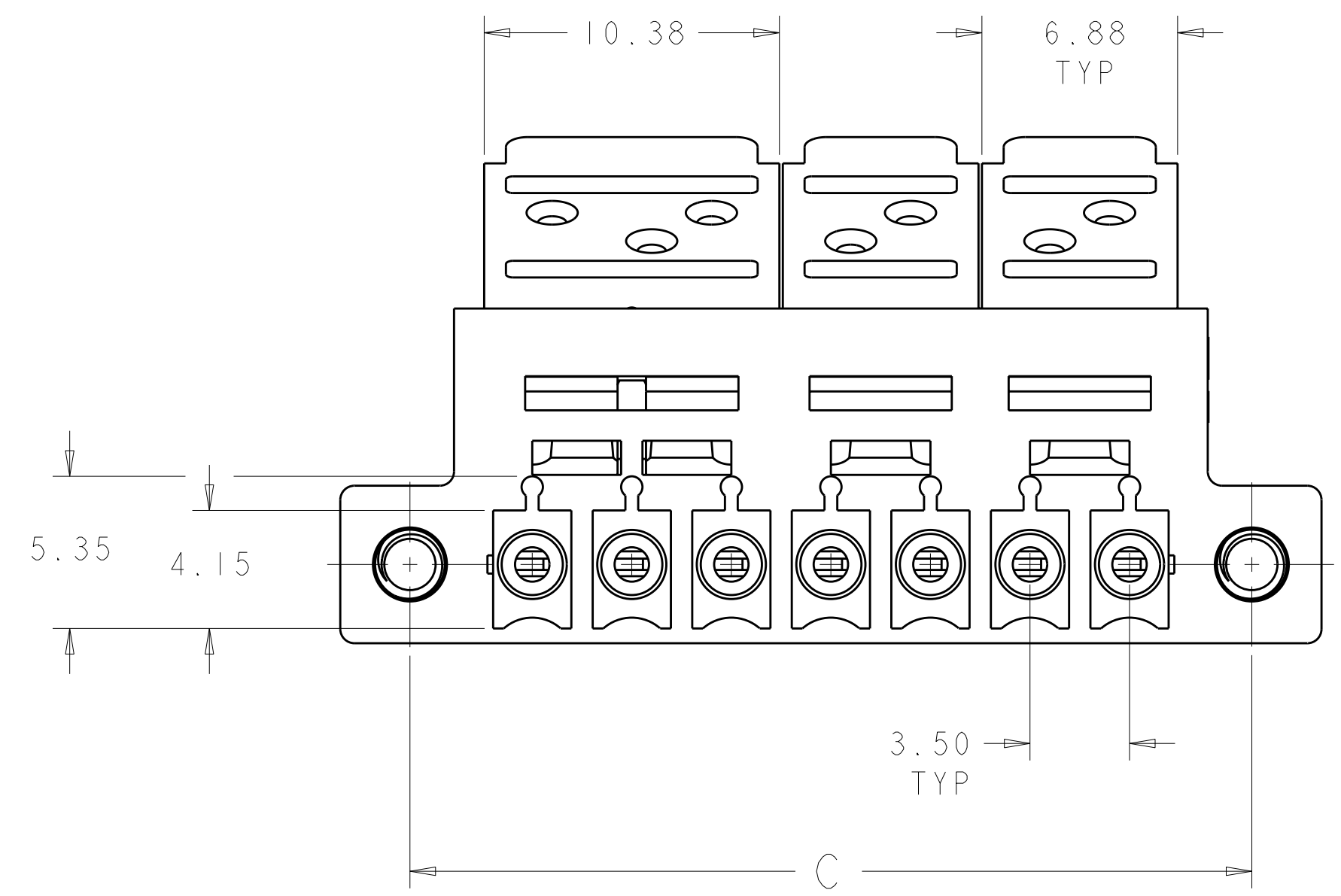


LOC	DIST	REV	DATE	BY	CHKD	APVD
FT	0	A	01DEC11	KH	MS	



# OBSOLETE



- 1 MATERIAL AND FINISH:  
HOUSING: POLYESTER, COLOR: GREEN.  
WIRE STUFFER: POLYCARBONATE, COLOR: CLEAR.  
CONTACT: COPPER ALLOY, 3.00µm MINIMUM TIN OVER 1.27µm NICKEL  
SCREW: STEEL, ZINC PLATED.
- 2 EACH WIRE ENTRY ACCEPTS ONE UNSTRIPPED, STRANDED OR SOLID COPPER 22-24 AWG WIRE WITH A MINIMUM INSULATION DIAMETER OF 1.52mm. RECOMMENDED WIRE INSULATION IS PVC. CONNECTOR MAY NOT FUNCTION CORRECTLY WITH SRPVC OR ANY OTHER RIGID OR SEMI-RIGID INSULATION. CONTACT TYCO ENGINEERING FOR ALL OTHER WIRE INSULATION APPROVAL BEFORE USE.
- 3. CONNECTOR MATES WITH 3.5mm OPEN AND CLOSED-END INDUSTRY STANDARD HEADERS.
- 4 ODD POSITION ASSEMBLIES USE ONE 3 POSITION WIRE STUFFER LOCATED OVER THE LAST THREE POSITIONS AS SHOWN AND 2 POSITION WIRE STUFFERS FOR REMAINING POSITIONS.
- 5. ASSEMBLIES SHIPPED WITH WIRE STUFFERS IN THE OPEN POSITION.

61.10	58.00	66.00	16	1-1776283-6
57.60	54.50	62.50	15	1-1776283-5
54.10	51.00	59.00	14	1-1776283-4
50.60	47.50	55.50	13	1-1776283-3
47.10	44.00	52.00	12	1-1776283-2
43.60	40.50	48.50	11	1-1776283-1
40.10	37.00	45.00	10	1-1776283-0
36.60	33.50	41.50	9	1776283-9
33.10	30.00	38.00	8	1776283-8
29.60	26.50	34.50	7	1776283-7
26.10	23.00	31.00	6	1776283-6
22.60	19.50	27.50	5	1776283-5
19.10	16.00	24.00	4	1776283-4
15.60	12.50	20.50	3	1776283-3
12.10	9.00	17.00	2	1776283-2
C	B	A	NO OF POSN	PART NUMBER

THIS DRAWING IS A CONTROLLED DOCUMENT.

DIMENSIONS: mm  
 TOLERANCES UNLESS OTHERWISE SPECIFIED:  
 0 PLC ±0.5  
 1 PLC ±0.13  
 2 PLC ±0.000  
 3 PLC ±0.000  
 4 PLC ±0.000  
 ANGLES ±0.000  
 FINISH:

DWN: S. WELDON 18MAR2005  
 CHK: C. RICHARD 18MAR2005  
 APVD: C. RICHARD 18MAR2005

**STE** TE Connectivity  
 NAME: PIVOT BLOCK ASSEMBLY, W/ SCREW FLANGE, 22-24 AWG, GREEN, 3.5mm  
 SIZE: CAGE CODE DRAWING NO: A100779 C=1776283  
 SCALE: 5:1 SHEET 1 OF 1 REV A