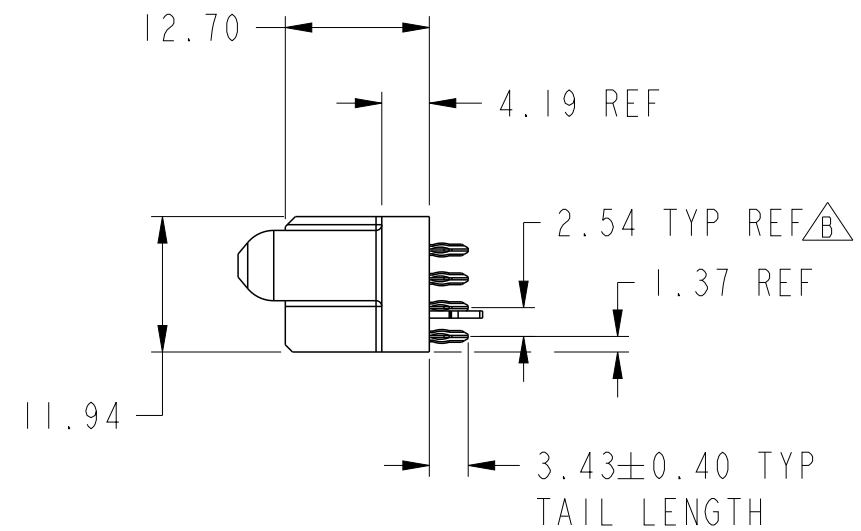
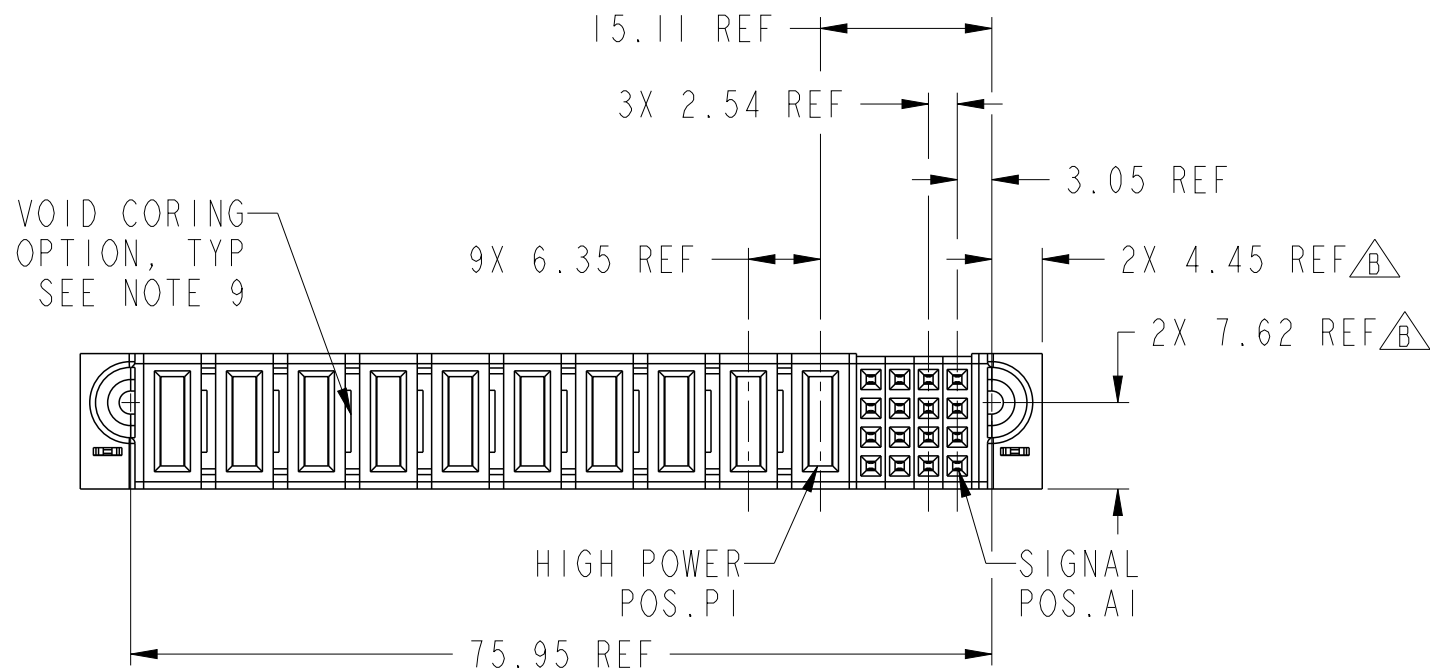
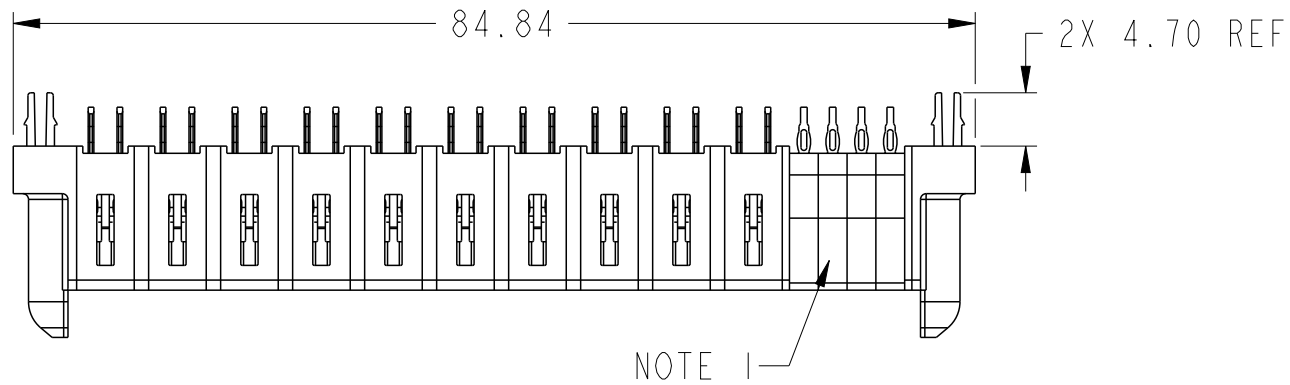
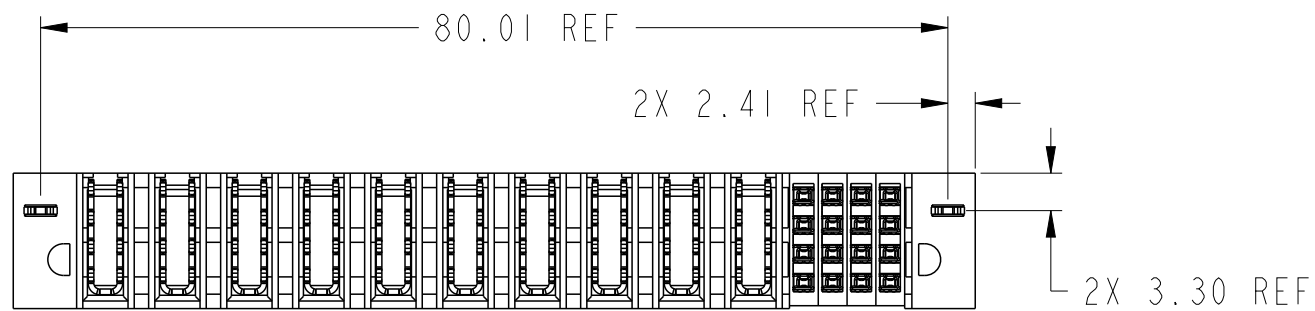


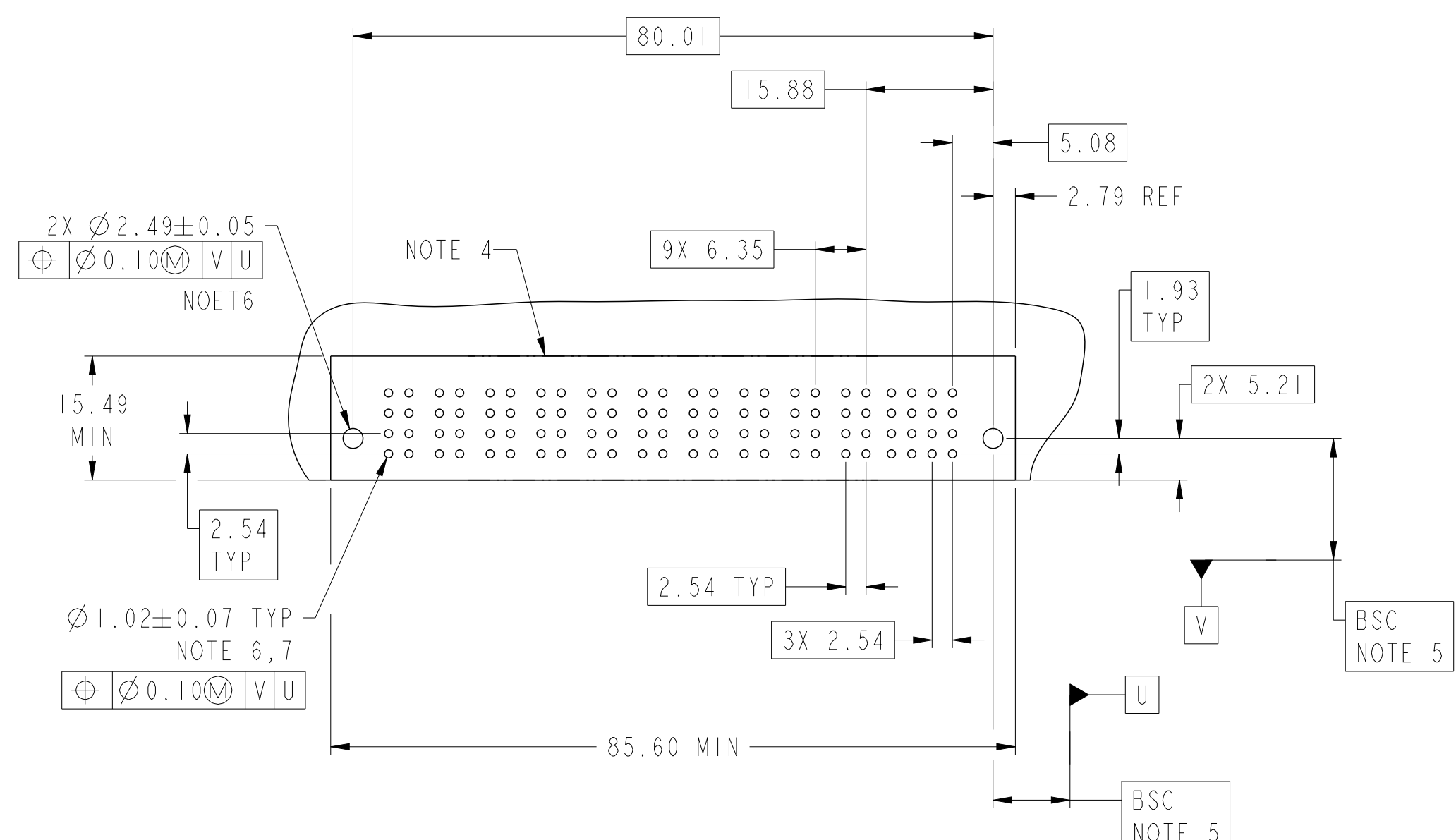
PART NUMBER 10106131-A004001LF



spec ref	-			dr	Helen Zhang	2011/09/24	projection	MM	size	A3	scale	3:2
tolerance std	ISO 406 ISO 1101			eng	Peng-Bing Fu	2012/11/13			ecn no			ELX-DG-013146-1
TOLERANCES UNLESS OTHERWISE SPECIFIED			chr	Tian-Xu Huang	2012/11/13	rel level			Released			
surface	✓	linear	0.X ±0.50 0.XX ±0.25 0.XXX ±0.10	appr	Pei-Ming Zheng	2012/11/13	product family		PwrBlade+		rev	
ISO 1302		angular	0° ±2°			title		16S + 10HP		dwg no		10106131-A004001
			www.fci.com		cat. no.		-		Product - Customer Drw		sheet 1 of 3	

PRODUCT NUMBER	ROWS	POWER										SIGNAL			
		P10	P9	P8	P7	P6	P5	P4	P3	P2	P1	4	3	2	1
10106131-A004001LF	D C B A	H H H H H H H H H H H										S S S S S S S S S S S S			

CODE	DESCRIPTION
H	STD HIGH POWER CONTACT
S	STD SIGNAL CONTACT
HA	HOLD DOWN



Copyright FCI.

dr	Helen Zhang	2011/09/24	projection	MM	size	A3	scale	3:2
eng	Peng-Bing Fu	2012/11/13			ecn no	ELX-DG-013146-1		
chr	Tian-Xu Huang	2012/11/13				product family	PwrBlade+	rel level
appr	Pei-Ming Zheng	2012/11/13			title 16S + 10HP VERTICAL PF RECEPTACLE			
www.fci.com			cat. no.	-	Product - Customer Drw		sheet 2 of 3	

NOTES:

- 1) "FCI", PART NUMBER AND DATE CODE TO BE MARKED ON THIS SURFACE.  
THE P/N CAN BE OMITTED IF THERE IS NOT ENOUGH SPACE ON THIS SURFACE.
- 2) MATERIALS:  
-HOUSING - GLASS FILLED WITH HIGH TEMP THERMOPLASTIC, UL94V-0.  
-SIGNAL CONTACT - COPPER ALLOY.  
-POWER CONTACT - HIGH CONDUCTIVITY COPPER ALLOY.
- 3) PLATING SPECIFICATION REFER TO FCI 10116351.
- 4) DENOTES CONNECTOR KEEP OUT ZONE.
- 5) DATUM AND BASIC DIMENSIONS WERE ESTABLISHED BY CUSTOMER.
- 6) ALL HOLE DIAMETERS ARE FINISHED HOLE SIZES.
- 7)  $1.15 \pm 0.025$ MM DRILLED HOLE PLATED WITH 0.00762MM MIN Sn  
OVER 0.0254-0.0762MM Cu PLATING TO ACHIEVE A  $1.02 \pm 0.07$ MM HOLE.
- 8) PRODUCT SPECIFICATION REFER TO FCI GS-12-658.  
APPLICATION SPECIFICATION REFER TO FCI GS-20-141.  
PRODUCT PACKAGED IN TRAYS, REFER TO FCI GS-14-1502.
- 9) THE VOID CORING IN BETWEEN POWER MODULES, SIGNAL  
MODULES AND END MODULES ARE OPTIONAL AND THE SHAPE  
MAY BE DIFFERENT FOR OPTIMIZE THE MOLDING PROCESS. THE  
VOID CORING WILL NOT EFFECT TO PRODUCT FUNCTION.
- 10) A  $\triangle B$  SYMBOL WILL BE NEXT TO ANY DIMENSION, VIEW, OR NOTE  
WHICH HAS BEEN MODIFIED WITH THE CURRENT DRAWING REVISION.



Copyright FCI.

dr	Helen Zhang	2011/09/24	projection 	MM 	size	A3	scale	3:2
eng	Peng-Bing Fu	2012/11/13			ecn no	ELX-DG-013146-1		
chr	Tian-Xu Huang	2012/11/13			product family	PwrBlade+	rel level	Released
appr	Pei-Ming Zheng	2012/11/13						
		title 16S + 10HP VERTICAL PF RECEPTACLE			dwg no 10106131-A004001	rev B		
www.fci.com		cat. no.	-		Product - Customer Drw		sheet 3 of 3	