

4

3

2

1

THIS DRAWING IS UNPUBLISHED

RELEASED FOR PUBLICATION

-, 2018.

© COPYRIGHT - 2017 by TE Connectivity Germany GmbH

ALL RIGHTS RESERVED.

REVISIONS

P	LTR	DESCRIPTION	DATE	DWN	APVD
	A1	REVISED PER ECR-19-000980	24JAN2019	SR	JDB

Material:

COVER: LCP, black, UL-94-V0

HEADER: Black WH-9100, UL-94-V0

LEAD FRAME: C5191-HV170-190 °

SOLDER PIN PLATING: 7 μm (275 μinch) TIN 1.27 μm (50 μinch) NICKEL OVER ALL

2 THE PART IS RECOMMENDED FOR REFLOW SOLDERING PROCESS PEAK

SOLDERING: TEMPERATURE MAX. +260 °C/-5 °C, MAX. 30s

3 OPERATING TEMPERATURE: T= -40 °C TO +105 °C

4 STORAGE TEMPERATURE: T= -40 °C TO +85 °C

5 MEET IEEE 802.3u REQUIRMENT

6 UNLESS OTHERWISE SPECIFIED, SEE TABLE FOR ALL DIMENSIONS TOLERANCES

7 PACKAGING: TUBE ACCORDING TO PACKAGING SPECIFICATION 107-18128

SUGGESTED PCB LAYOUT

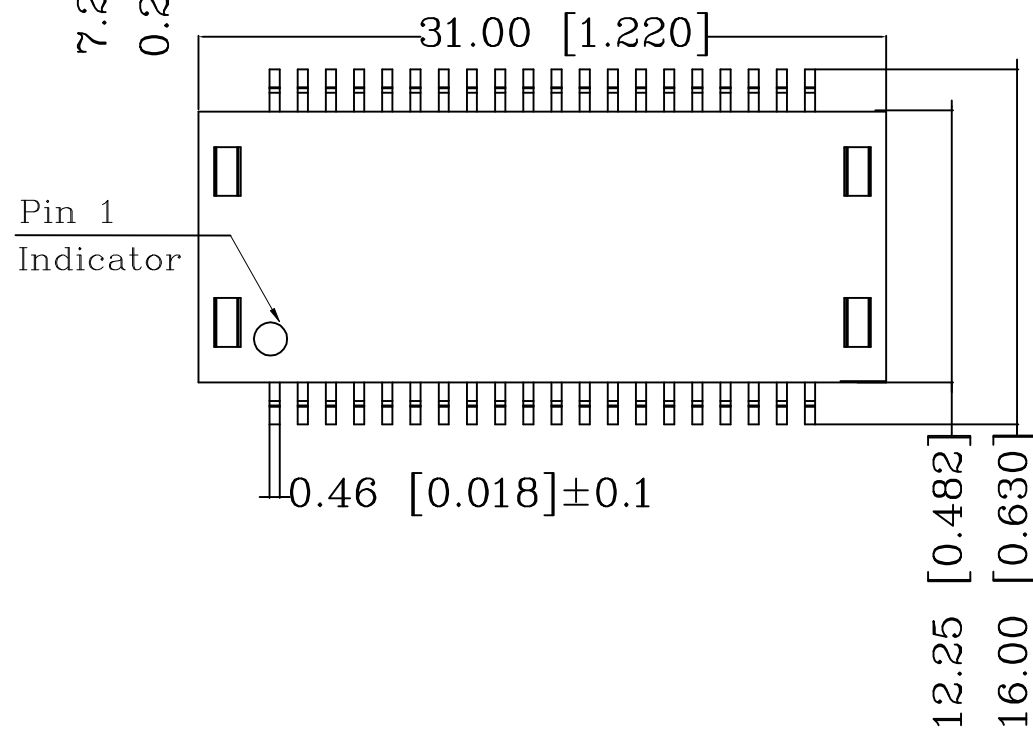
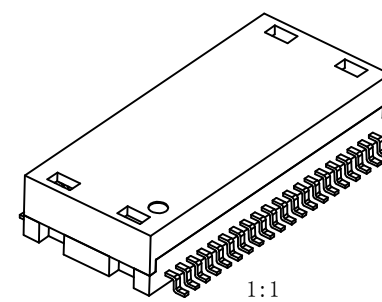
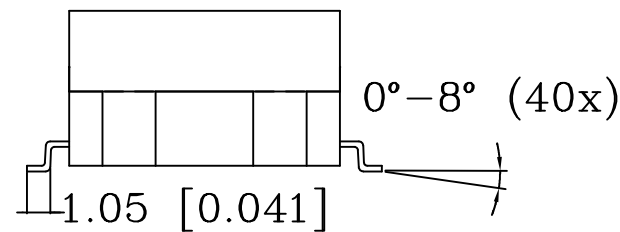
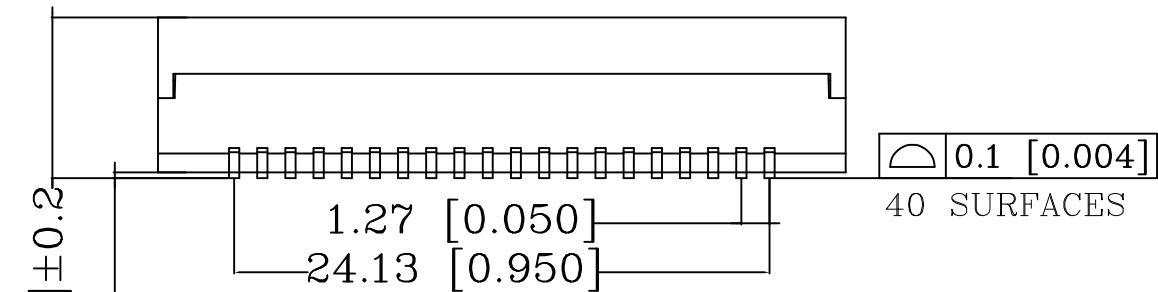
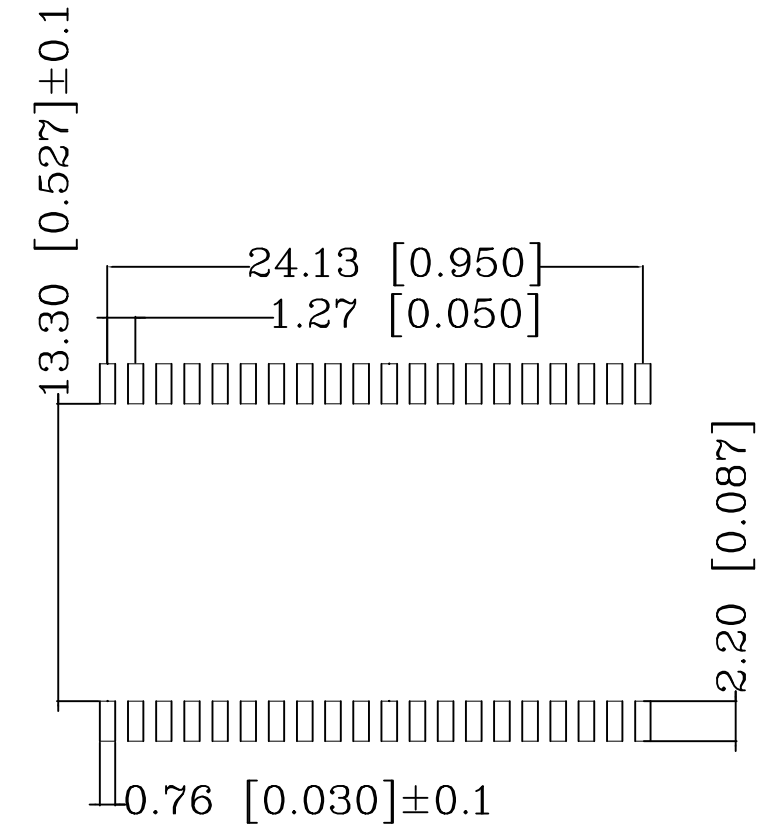


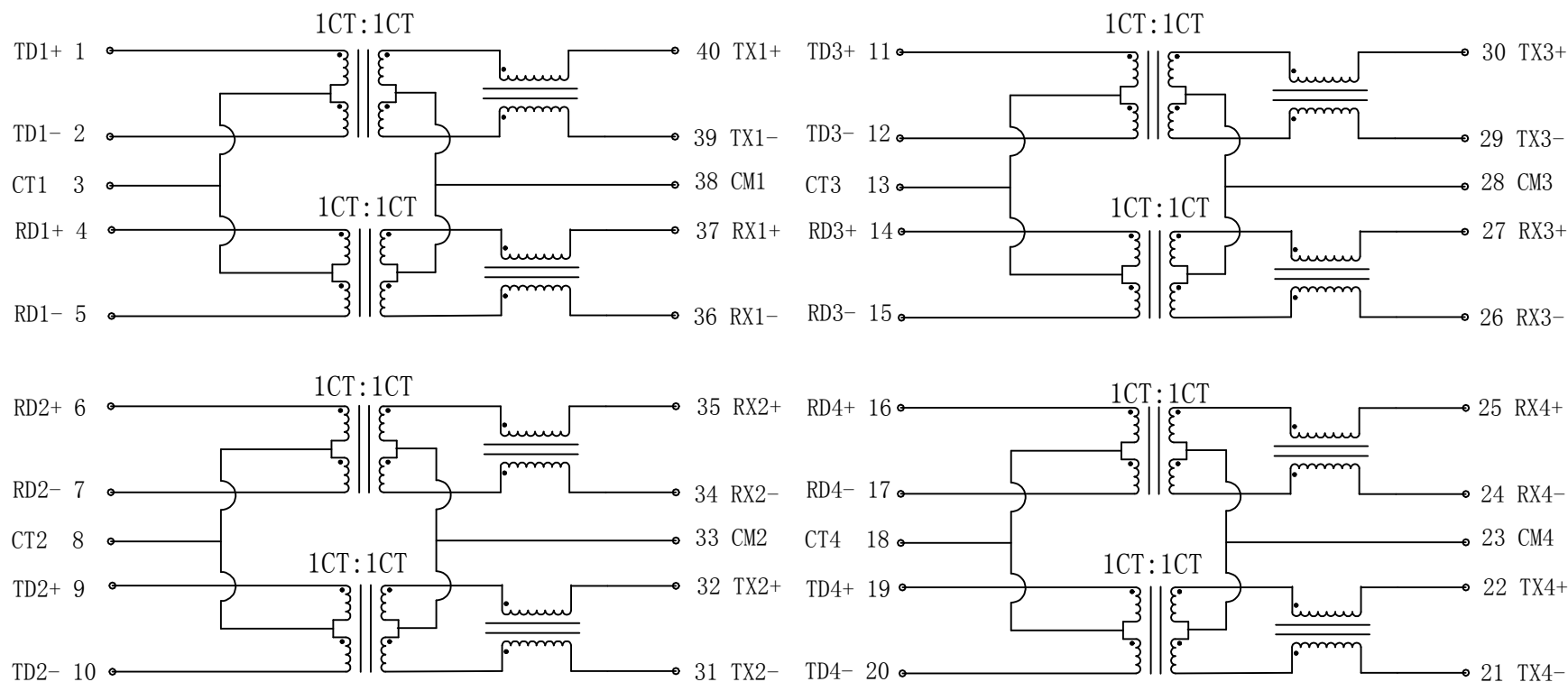
TABLE OF TOLERANCE (mm)	
RANGE	TOLERANCE
0-10	±0.15
>10-40	±0.25
>40-70	±0.30
>70	±0.40

THIS DRAWING IS A CONTROLLED DOCUMENT.		DWN	05JUL2018		 TE Connectivity
		CHK	18JAN2019		
		APVD	18JAN2019		
		PRODUCT SPEC	108-94693		
DIMENSIONS: mm [INCHES]		TOLERANCES UNLESS OTHERWISE SPECIFIED:		NAME	
		0 PLC ± -		DISCR.ETH.MAG. 10/100 QUAD SMT	
		1 PLC ± -		SIZE	
		2 PLC ± -		CAGE CODE	
		3 PLC ± -		DRAWING NO	
4 PLC ± -		APPLICATION SPEC		RESTRICTED TO	
ANGLES ± -		114-94555		-	
MATERIAL		FINISH		SCALE	
1		1		3:1	
		WEIGHT		SHEET	
		CUSTOMER DRAWING		1 of 2	
		A3 00779		REV	
		G=5-2337826-1		A1	

REVISIONS

P	LTR	DESCRIPTION	DATE	DWN	APVD
-	-	SEE SHEET 1	-	-	-

CIRCUIT DIAGRAM



Electrical Specifications @ 25 °C (Unless other specified meet IEEE 802.3 Specification)

Turn Ratio	1CT:1CT ±2%	
Inductance (OCL) @100kHz/0.1V with 8mA DC Bias	350 µH min.	
Insertion Loss	0.1-100MHz	-1 dB max.
	1-30MHz	-18 dB min.
Return Loss (Zout = 100 OHMS)	40MHz	-14.4 dB min.
	50MHz	-13.1 dB min.
	80MHz	-12 dB min.
	100MHz	-10 dB min.
Crosstalk	30MHz	-40 dB min.
	60MHz	-35 dB min.
	100MHz	-30 dB min.
DCMR	30MHz	-40 dB min.
	60MHz	-35 dB min.
	100MHz	-30 dB min.
Isolation Voltage (Input - Output)	1500 Vrms	



CONTROL CODE

DATE CODE

"0213"

YY-YEAR

WW-WEEK

THIS DRAWING IS A CONTROLLED DOCUMENT.

DIMENSIONS: mm [INCHES]	TOLERANCES UNLESS OTHERWISE SPECIFIED:	DWN GANESH C M 18JAN2019	TE Connectivity	
	0 PLC ± - 1 PLC ± - 2 PLC ± - 3 PLC ± - 4 PLC ± - ANGLES ± -	CHK A.C. NGOUMGANG 18JAN2019	NAME DISCR.ETH.MAG. 10/100 QUAD SMT	
		APVD J. DE BRUIJN 18JAN2019	PRODUCT SPEC 108-94693	SIZE A3
MATERIAL 1	FINISH 1	APPLICATION SPEC 114-94555	DRAWING NO 5-2337826-1	RESTRICTED TO -
CUSTOMER DRAWING			SCALE 3:1	SHEET 2 of 2