

# Type TFLM Automotive Fuse Link Radial Male Terminal



www.optifuse.com

(619) 593-5050

## Specifications:

**Voltage:** 32VDC

**Amperage:** 20A, 30A, 40A, 50A, 60A, 70A, 80A, 100A, 120A

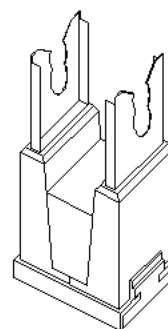
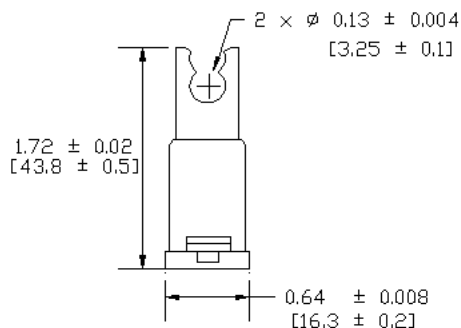
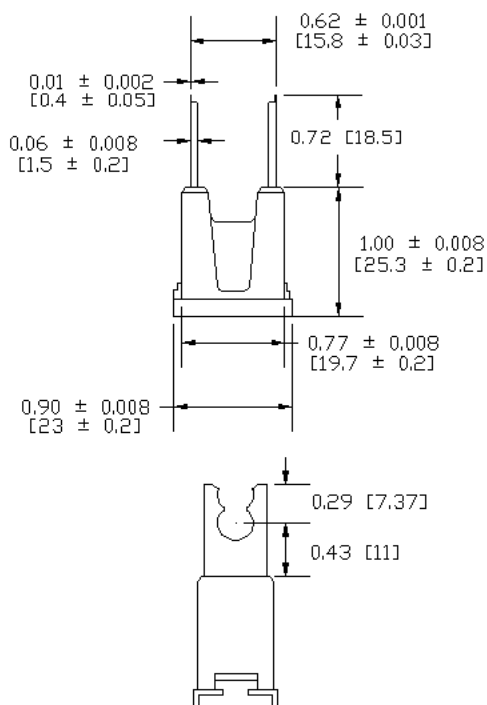
**Interrupting Rating:** 5,000A @ 32 VAC

## Agency Standards and Listings:

JASO D612-4:2001

Time Characteristics		
% of rated current	Min hold time	Max hold time
110%	4h	
200%	5s	100s
350%	200ms	7s
600%	40ms	1s

Part Number	Ampere Rating	Housing Color
TFLM-20A	20A	Light-Blue
TFLM-30A	30A	Pink
TFLM-40A	40A	Green
TFLM-50A	50A	Red
TFLM-60A	60A	Yellow
TFLM-70A	70A	Brown
TFLM-80A	80A	Black
TFLM-100A	100A	Blue
TFLM-120A	120A	White



## Warning:



-Operation beyond the specified maximum ratings or improper use may result in damage and possible electrical arcing and/or flame.

-Avoid contact of device with chemical solvent. Prolonged contact will damage the device performance.