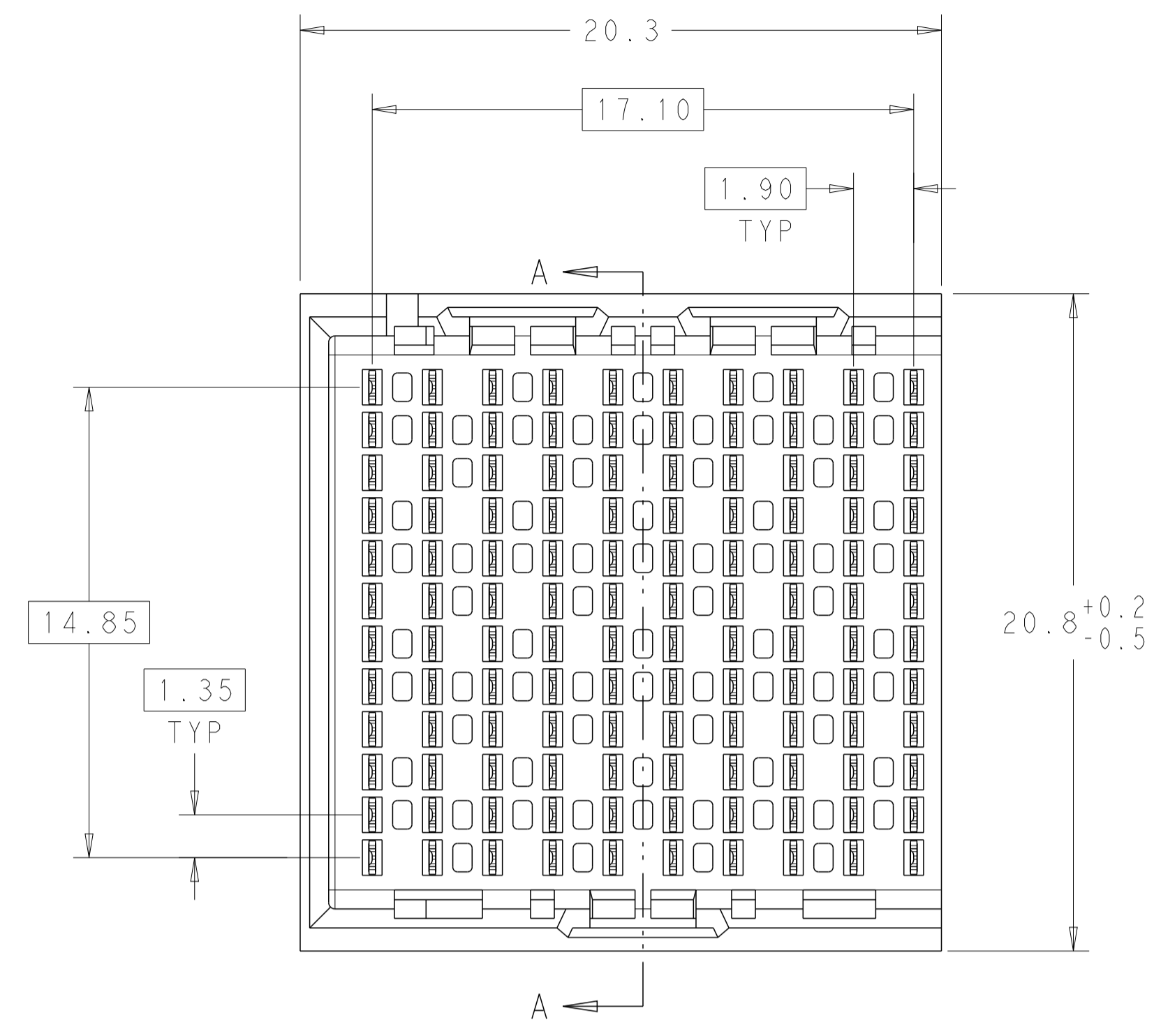
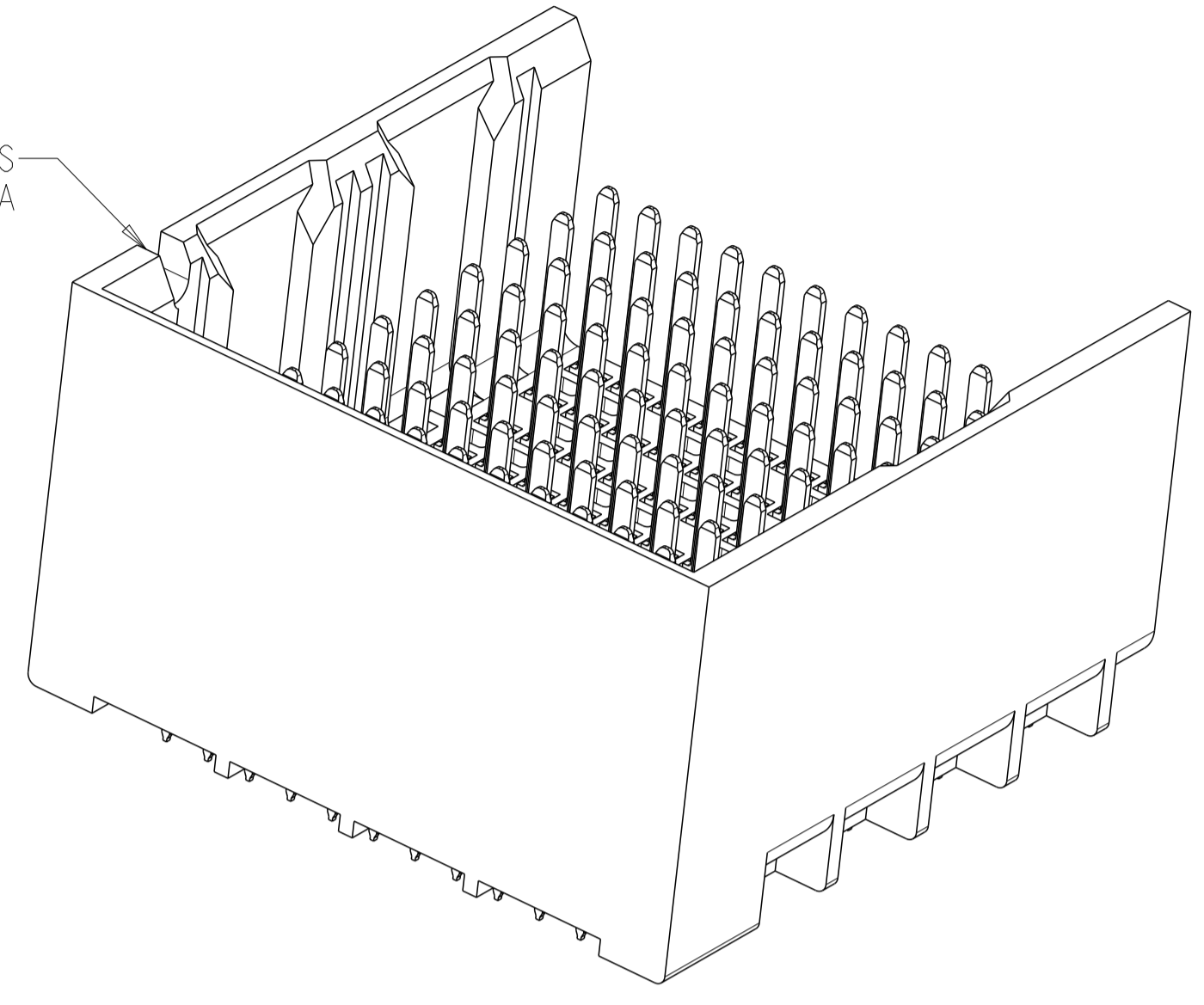


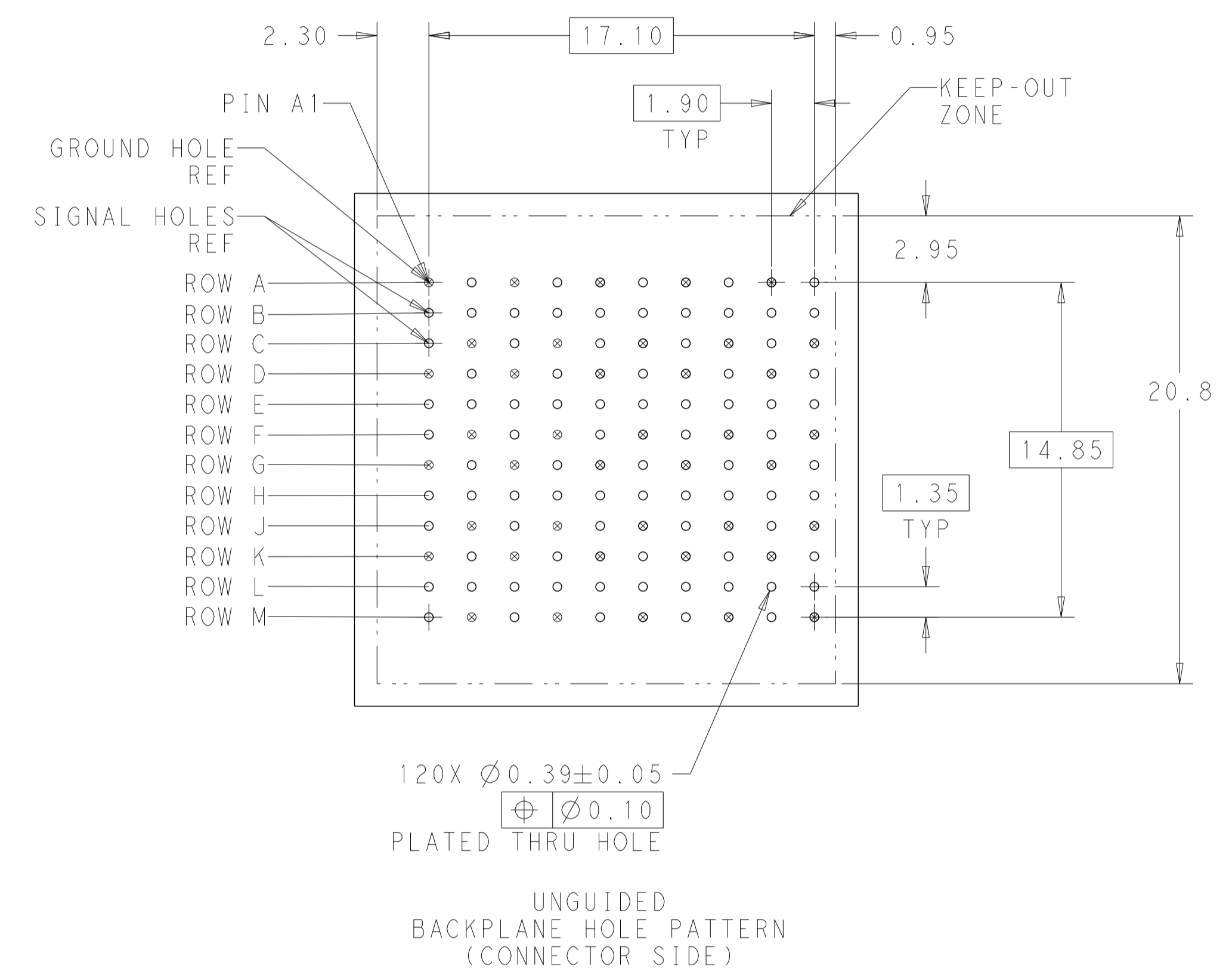
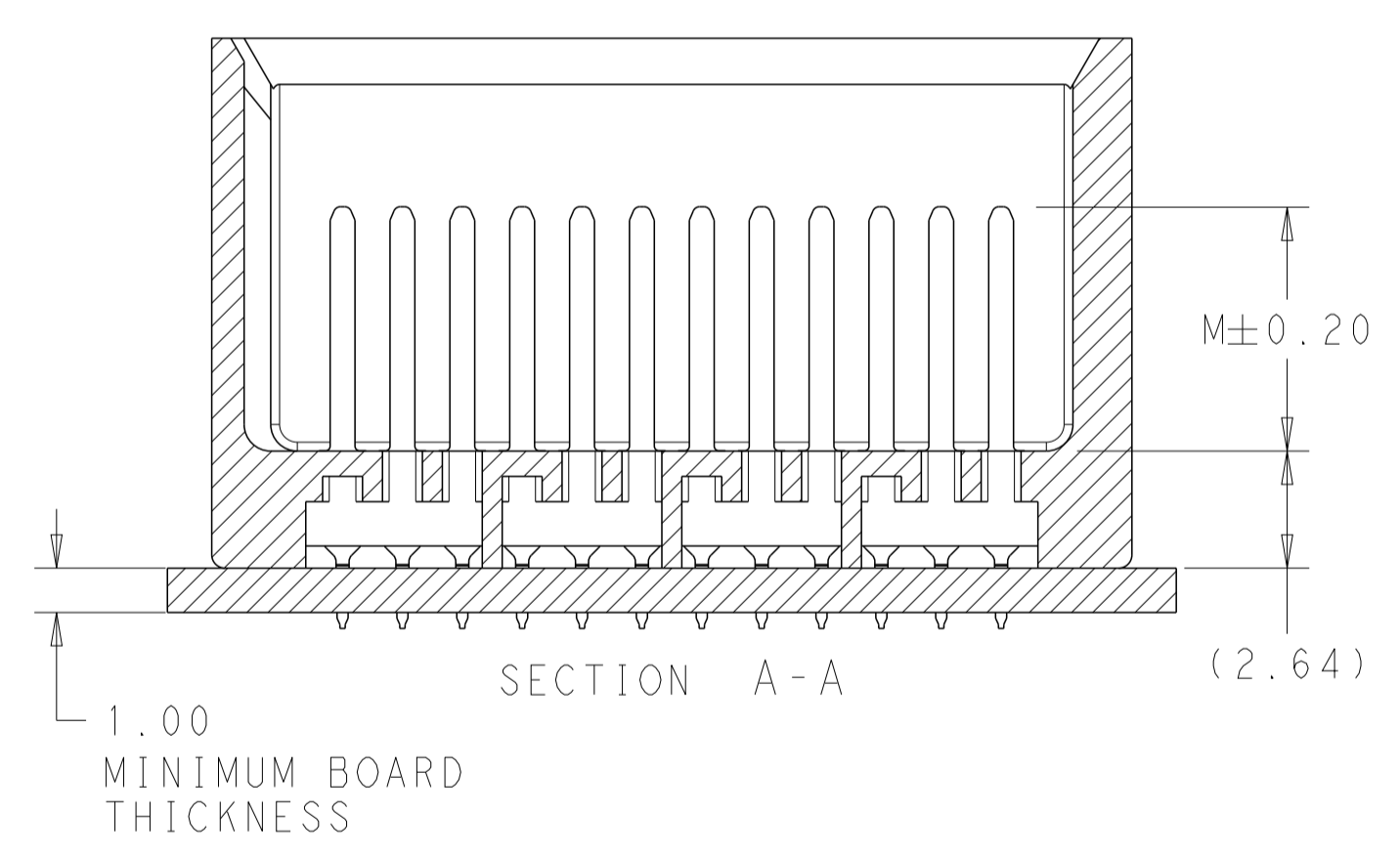
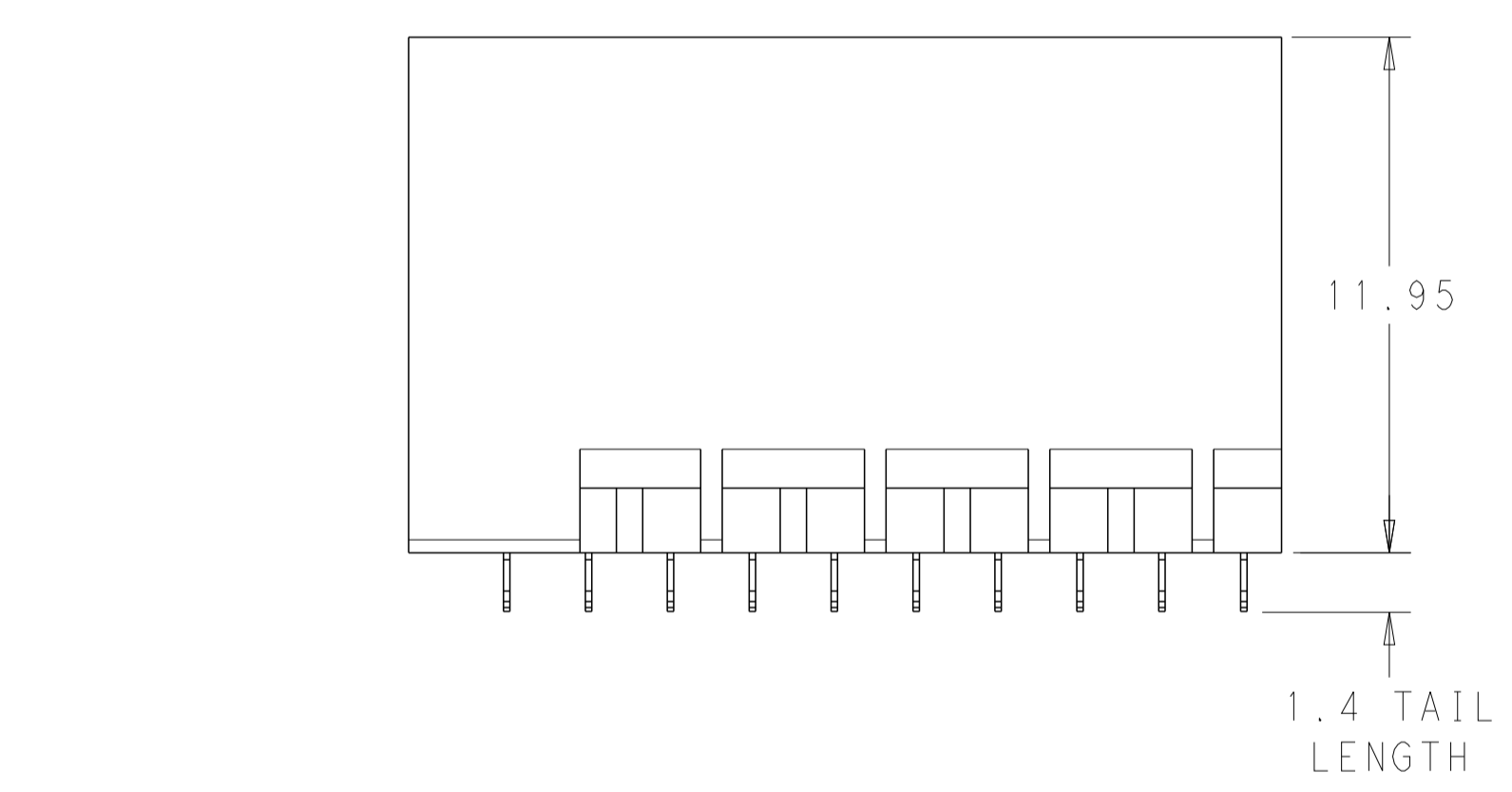
LOC		DIST		REVISIONS			
P	LTN	DESCRIPTION	DATE	DWN	APVD		
B3		REVISED PER ECN-22-135126	07FEB2022	A. S	H. L		
B4		REVISED PER ECN-23-207277	10APR2023	NV	HL		



NOTCH DESIGNATES ROW A



- 1 MATERIAL:
HOUSING: LCP, GLASS FILLED, UL94V-0.
TERMINALS: HIGH PERFORMANCE COPPER ALLOY.
- 2 FINISH:
30μ" MIN GOLD IN CONTACT AREA. SELECTIVE TIN ON PCB TAILS, NICKEL OVERALL.
- 3 FINISH:
30μ" MIN GOLD IN CONTACT AREA. SELECTIVE TIN-LEAD ON PCB TAILS, NICKEL OVERALL.



FINISH	DIM M	PART NUMBER
3	5.5	2007821-6
3	4.9	2007821-5
3	4.5	2007821-4
2	5.5	2007821-3
2	4.9	2007821-2
2	4.5	2007821-1

REFER TO WWW.TE.COM FOR PRODUCT AVAILABILITY

THIS DRAWING IS A CONTROLLED DOCUMENT.

DWN: J. K. SHOBER 13JAN2011
 CHK: J. EARY 13JAN2011
 APVD: J. EARY 13JAN2011

STE TE Connectivity

NAME: IMPACT, 4 PAIR, 10 COLUMN, HEADER
 PRODUCT SPEC: UNGUIDED, LEFT END WALL
 APPLICATION SPEC: SIGNAL MODULE, 0.39 PTH

SIZE: A100779 C=2007821
 WEIGHT: -
 MATERIAL: SEE TABLE

CUSTOMER DRAWING SCALE: 6:1 SHEET 1 OF 1 REV: B4