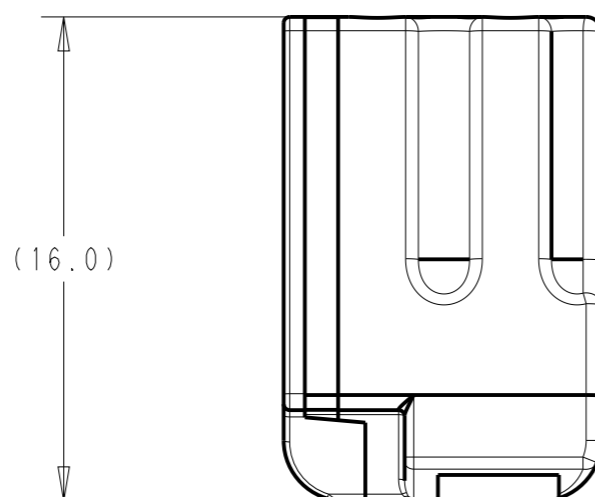
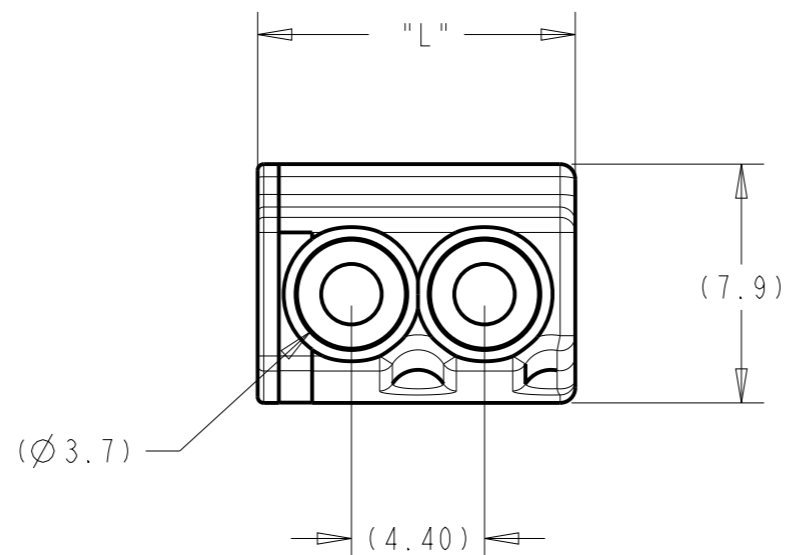
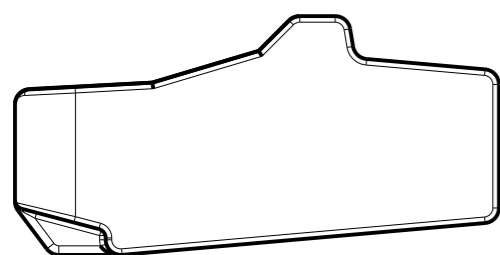
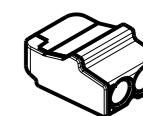


P	LTR	DESCRIPTION	DATE	DWN	APVD
	A	Drawing creation	29MAR2021		



NOTES :

- 1- HOUSING MATERIAL : POLYCARBONATE
- 2- HOUSING COLOR : SEE BELLOW
- 3- CONTACT MATERIAL :
 - TERMINAL : TIN-PLATED COPPER ALLOY
 - SPING : STEEL
- 4- FOR ADDITIONNAL INFORMATION REFER TO THE RELEVANT PRODUCT AND APPLICATION SPECIFICATIONS LISTED BELOW



SCALE 1:1

Part No	Nb of connexions	L (mm)	Color
1SET211001R0000	2	10.5	Transparent / Red
1SET211002R0000	3	14.9	Transparent / Orange
1SET211003R0000	4	19.3	Transparent / Yellow
1SET211004R0000	5	23.7	Transparent / Black
1SET211005R0000	6	28.1	Transparent / Purple

THIS DRAWING IS A CONTROLLED DOCUMENT 25		DWN: 21 09:41:38 AM Deligny, Charlotte			
CHK		APVD			
DIMENSIONS: mm		TOLERANCES UNLESS OTHERWISE SPECIFIED:		NAME PUSH-GRIP	
		0 PLC ±-		PRODUCT SPEC	
		1 PLC ±0.1		-	
MATERIAL		FINISH		APPLICATION SPEC	
-		-		-	
				WEIGHT	
				-	
CUSTOMER DRAWING; RESTRICTED CUSTOMER				SIZE A3	CAGE CODE 00779
				DRAWING NO G=1SNP300186-0000	RESTRICTED TO -
				SCALE 4:1	SHEET 1 OF 2
				REV A3	

© 2021 TE Connectivity. All Rights Reserved.

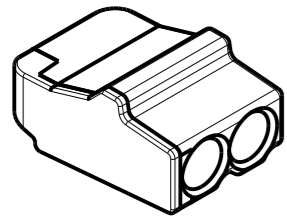
REVISIONS

P	LTR	DESCRIPTION	DATE	DWN	APVD

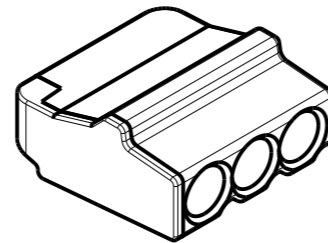
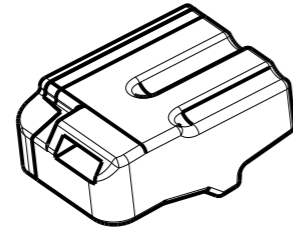
1SET211001R0000

1SET211002R0000

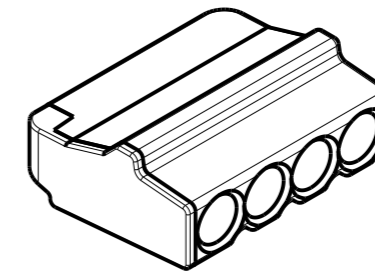
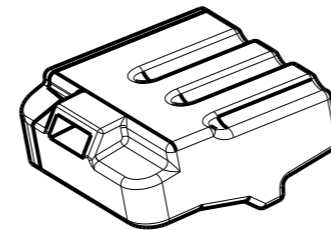
1SET211003R0000



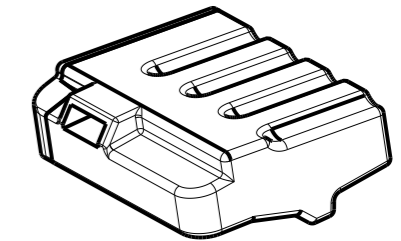
SCALE 2:1



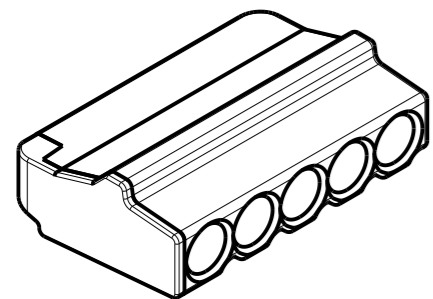
SCALE 2:1



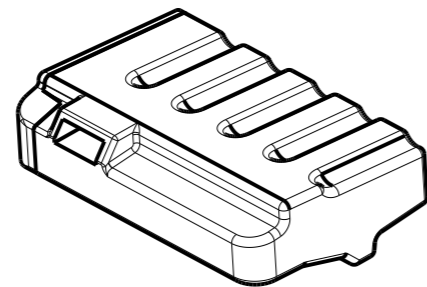
SCALE 2:1



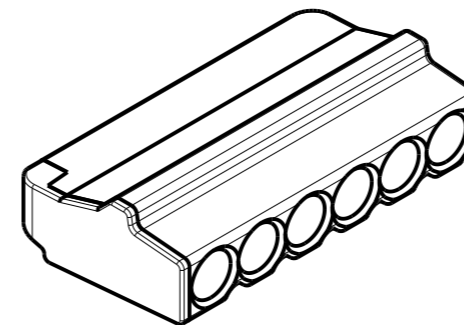
1SET211004R0000



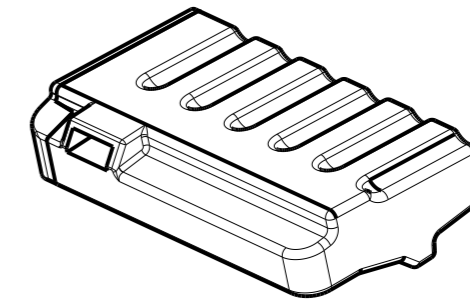
SCALE 2:1



1SET211005R0000



SCALE 2:1



THIS DRAWING IS A CONTROLLED DOCUMENT 25 JUN 21 09:41:38 AM Deligny, Charlotte

DIMENSIONS: mm		TOLERANCES UNLESS OTHERWISE SPECIFIED:		CHK	APVD	PRODUCT SPEC		APPLICATION SPEC		WEIGHT
		0 PLC	±-	NAME PUSH-GRIP	PRODUCT SPEC -	SIZE		CAGE CODE	DRAWING NO	RESTRICTED TO
		1 PLC	±0.1			A3	00779	©-1SNP300186-0000	-	
		2 PLC	±0.01			SCALE 4:1		SHEET 2 OF 2	REV A3	
		3 PLC	±0.005			CUSTOMER DRAWING; RESTRICTED CUSTOMER				
4 PLC	±0.0001	FINISH		MATERIAL		SCALE		SHEET		REV
ANGLES	±-	-		-		4:1		2 OF 2		A3



NAME PUSH-GRIP		PRODUCT SPEC -		APPLICATION SPEC -		WEIGHT -		
SIZE	CAGE CODE	DRAWING NO	RESTRICTED TO		SCALE		SHEET	REV
A3	00779	©-1SNP300186-0000	-		4:1		2 OF 2	A3