

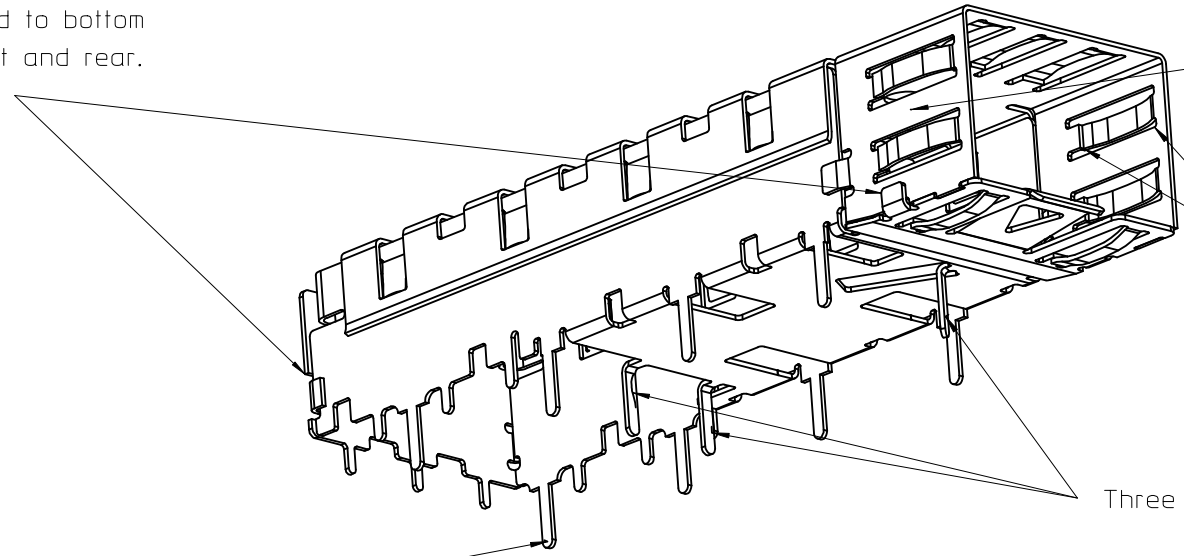
Top soldered to bottom at both front and rear.

Gaps Between Spring Tabs < 0.120" (3.0mm)

Two Point EMI Spring Contact

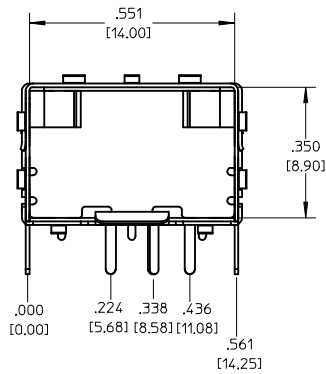
Three Center EMI Pins

Eleven .133" long posts for wave soldering to .093" board.

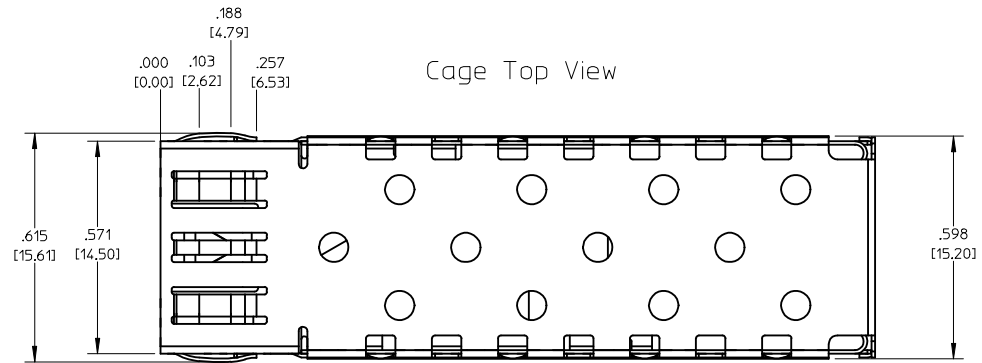


- 1 Material full-hard, tin plated brass or braonze .010" thick.
- 2 Accepts Molex 74720 series active transceivers, 73929 series passive patch cables, and 73930 series active patch cables.

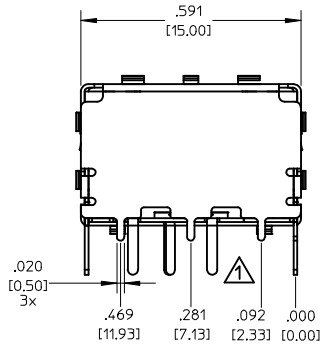
EC NO: UDT2002-0278 DRWN: DIRKERS 2001/08/16 CHKD: DIRKERS 2001/08/17 APPR: BRUSSELL 2001/08/20	QUALITY SYMBOLS ▽ = 0 ∇ = 0	GENERAL TOLERANCES (UNLESS SPECIFIED)		SCALE 3:1	DESIGN UNITS METRIC	THIRD ANGLE PROJECTION	REVISE ON CAD ONLY	
		4 PLACES ± --- ± ---	3 PLACES ± --- ± .002	DIMENSION STYLE IN/MM		TITLE SFP CAGE ASSEMBLY WITH ELEVEN .133" SOLDER POST LEGS FOR WAVE SOLDER		
		2 PLACES ± --- ± ---	1 PLACE ± 0.05 ± ---	DRAWN BY DIRKERS	DATE 2001/08/14	MOLEX INCORPORATED		
		ANGULAR ± 1/2°		CHECKED BY DIRKERS	DATE 2001/08/14	MATERIAL NO. 73927-0010	DOCUMENT NO. SD-73927-010	SHEET NO. 1 OF 7
DRAFT WHERE APPLICABLE MUST REMAIN WITHIN DIMENSIONS		APPROVED BY DATE		THIS DRAWING CONTAINS INFORMATION THAT IS PROPRIETARY TO MOLEX INCORPORATED AND SHOULD NOT BE USED WITHOUT WRITTEN PERMISSION				



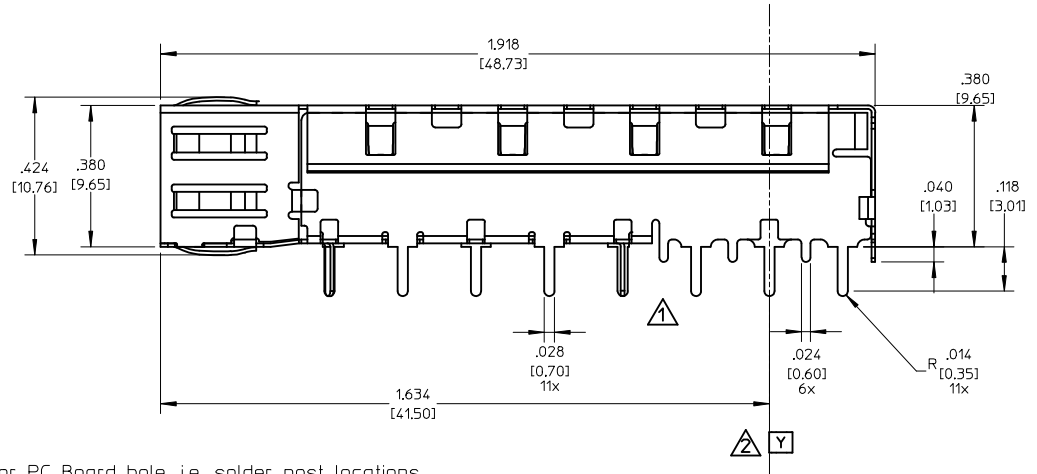
Cage Front View



Cage Top View

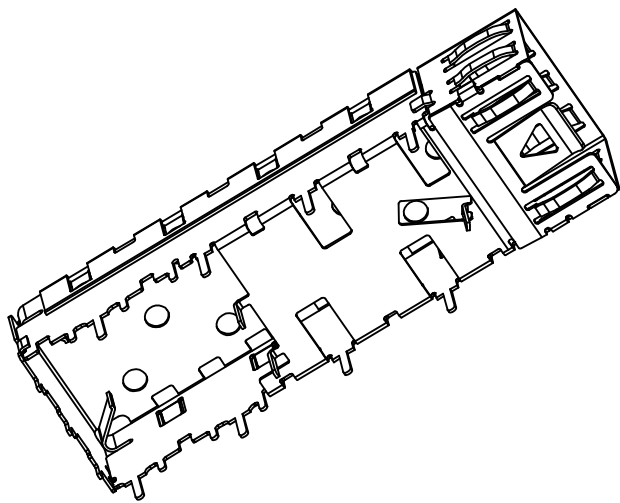


Cage Rear View

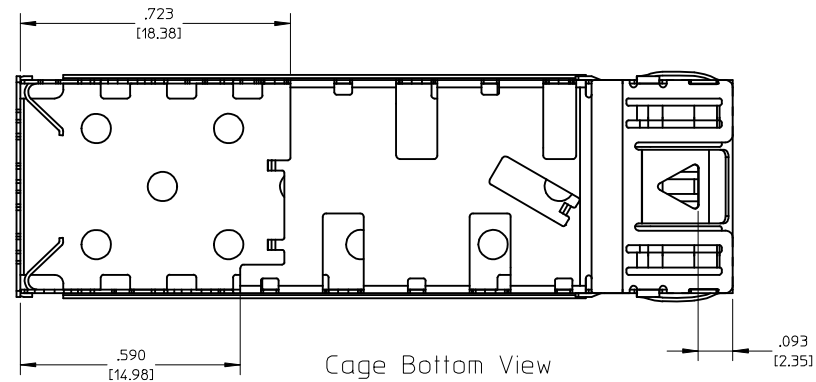
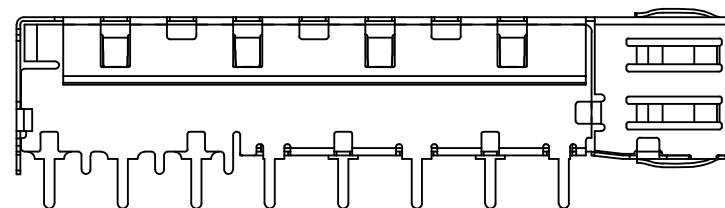


▲ See sheet 4 for PC Board hole, i.e. solder post locations.  
 ▲ Coincides with datum Y, sheet 4.

EC NO: UDT2002-0278 DRWN: DIRKERS 2001/08/16 CHKD: DIRKERS 2001/08/17 APPR: BRUSSELL 2001/08/20	QUALITY SYMBOLS	GENERAL TOLERANCES (UNLESS SPECIFIED)	SCALE 5:1	DESIGN UNITS METRIC	THIRD ANGLE PROJECTION	REVISE ON CAD ONLY
	DESCRIPTION ▼ - 0 ∇ - 0	mm	INCH	DIMENSION STYLE IN/MM		TITLE SFP CAGE ASSEMBLY WITH ELEVEN .133" SOLDER POST LEGS FOR WAVE SOLDER MOLEX MOLEX INCORPORATED
		4 PLACES ± ---	± ---	DRAWN BY DIRKERS	DATE 2001/08/14	
	A	3 PLACES ± ---	± .002	CHECKED BY DIRKERS	DATE 2001/08/14	MATERIAL NO. 73927-0010
2 PLACES ± ---		± ---	APPROVED BY	DATE	SHEET NO. 2 OF 7	
	1 PLACE ± 0.05	± ---	THIS DRAWING CONTAINS INFORMATION THAT IS PROPRIETARY TO MOLEX INCORPORATED AND SHOULD NOT BE USED WITHOUT WRITTEN PERMISSION			
	ANGULAR ± 1/2°					
	DRAFT WHERE APPLICABLE					
	MUST REMAIN WITHIN DIMENSIONS					

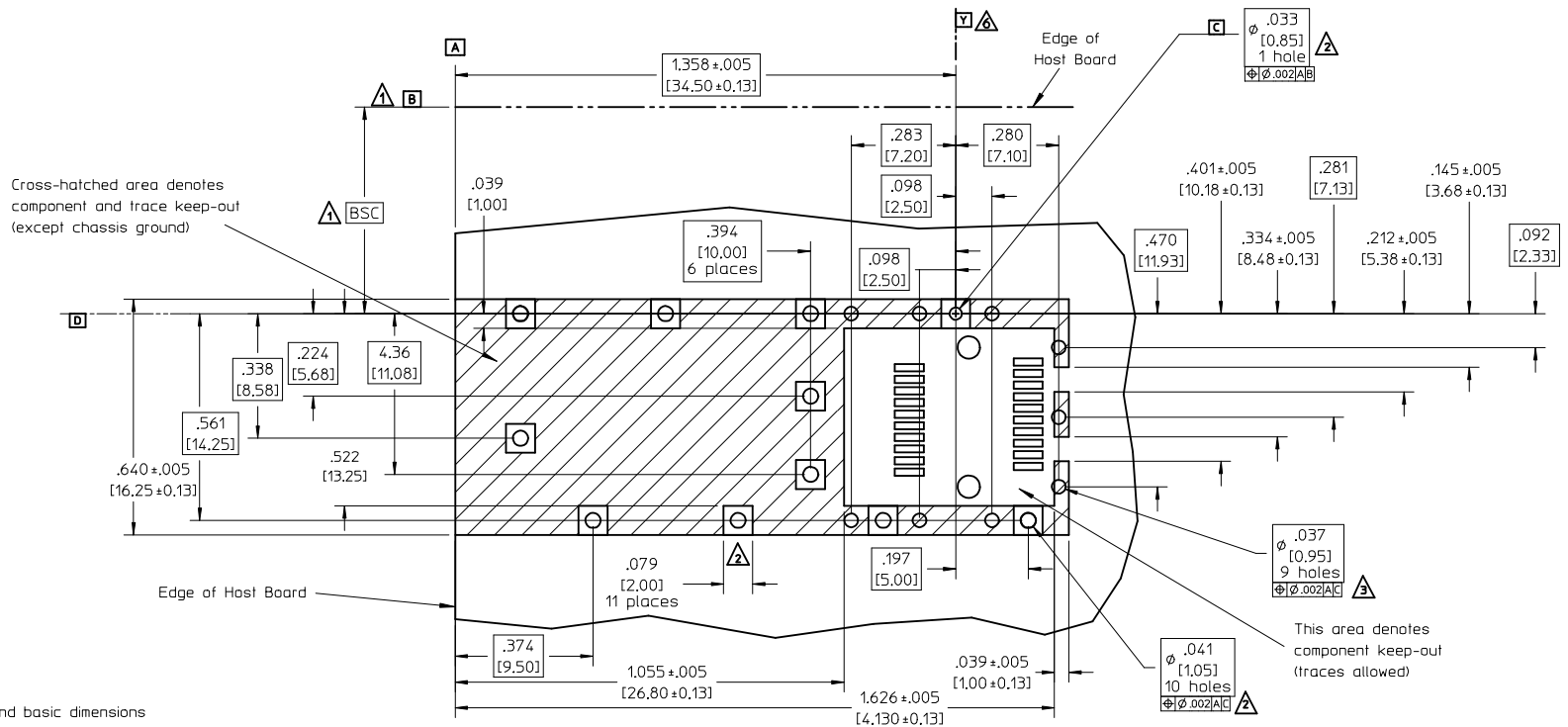


Isometric  
Scale 2.5:1



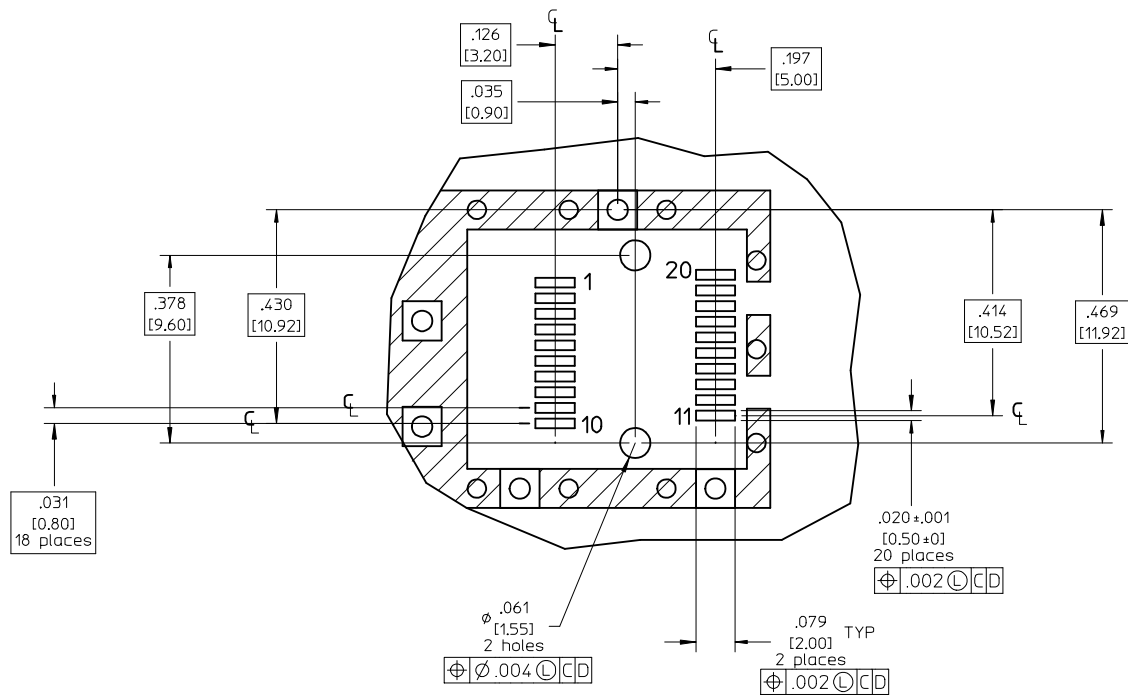
Cage Bottom View

EC NO: UDT2002-0278 DRWN: DIRKERS 2001/08/16 CHKD: DIRKERS 2001/08/17 APPR: BRUSSELL 2001/08/20	QUALITY SYMBOLS	GENERAL TOLERANCES (UNLESS SPECIFIED)	SCALE 5:1	DESIGN UNITS METRIC	THIRD ANGLE PROJECTION	REVISE ON CAD ONLY
	DESCRIPTION ▽ = 0 ∇ = 0	mm INCH	DIMENSION STYLE IN/MM	TITLE		
		4 PLACES ± --- ± ---	DRAWN BY DATE DIRKERS 2001/08/14	SFP CAGE ASSEMBLY WITH ELEVEN .133" SOLDER POST LEGS FOR WAVE SOLDER MOLEX INCORPORATED		
		3 PLACES ± --- ± .002	CHECKED BY DATE DIRKERS 2001/08/14			
2 PLACES ± --- ± ---	APPROVED BY DATE	MATERIAL NO.	DOCUMENT NO.	SHEET NO.		
1 PLACE ± 0.05 ± ---	ANGULAR ± 1/2°	73927-0010	SD-73927-010	3 OF 7		
A	DRAFT WHERE APPLICABLE MUST REMAIN WITHIN DIMENSIONS	THIS DRAWING CONTAINS INFORMATION THAT IS PROPRIETARY TO MOLEX INCORPORATED AND SHOULD NOT BE USED WITHOUT WRITTEN PERMISSION				



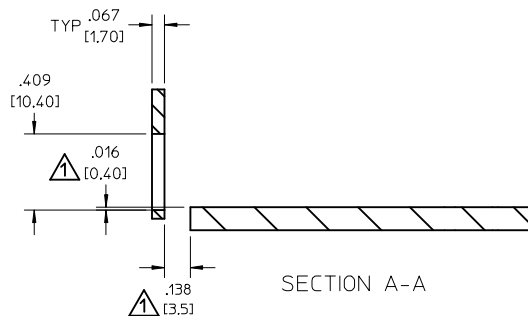
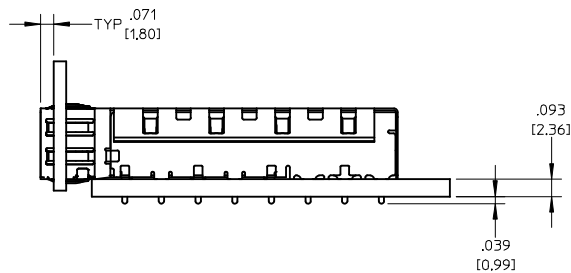
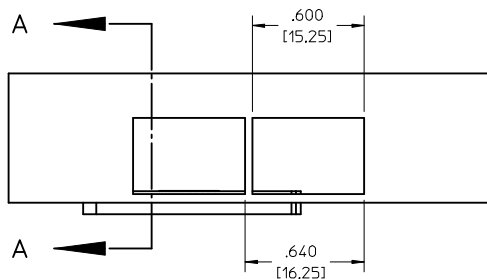
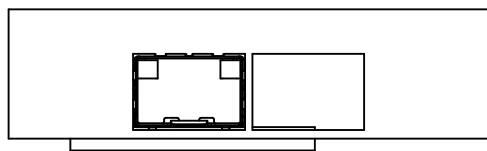
- ▲ Datum and basic dimensions established by customer.
- ▲ Vias and pads chassis ground, plated through, 11 places. Pad locations must be on bottom of PC board for wave solder applications.
- ▲ Holes optionally plated through.
- 4 Hole pattern allows two parts to be mounted "belly-to-belly" on .093" nom. boards. Hole layout shown for one side only. Transceiver profile outside cage determines feasibility of "belly-to-belly" mounting.
- ▲ Cage datum Y shown for reference to cage, only.

EC NO: UDT2002-0278 DRWN: DIRKERS 2001/08/16 CHKD: DIRKERS 2001/08/17 APPR: BRUSSELL 2001/08/20	QUALITY SYMBOLS	GENERAL TOLERANCES (UNLESS SPECIFIED)	SCALE 3:1	DESIGN UNITS METRIC	THIRD ANGLE PROJECTION	REVISE ON CAD ONLY
	DESCRIPTION ▼ = 0 ∇ = 0	mm	INCH	DIMENSION STYLE		TITLE SFP CAGE ASSEMBLY WITH ELEVEN .133" SOLDER POST LEGS FOR WAVE SOLDER
		4 PLACES ± --- ± ---	3 PLACES ± --- ± .002	2 PLACES ± --- ± ---	1 PLACE ± 0.05 ± ---	
	A	ANGULAR ± 1/2°	DRAFT WHERE APPLICABLE		DRAWN BY DIRKERS	DATE 2001/08/14
MUST REMAIN WITHIN DIMENSIONS		APPROVED BY		CHECKED BY DIRKERS	DATE 2001/08/14	
THIS DRAWING CONTAINS INFORMATION THAT IS PROPRIETARY TO MOLEX INCORPORATED AND SHOULD NOT BE USED WITHOUT WRITTEN PERMISSION						



1. Connector pad pattern per MSA, will accommodate surface mount Molex connector 74441 or equivalent.

EC NO: UDT2002-0278 DRWN: DIRKERS 2001/08/16 CHKD: DIRKERS 2001/08/17 APPR: BRUSSELL 2001/08/20	QUALITY SYMBOLS	GENERAL TOLERANCES (UNLESS SPECIFIED)	SCALE 3:1	DESIGN UNITS METRIC	THIRD ANGLE PROJECTION	REVISE ON CAD ONLY
	DESCRIPTION ▽ = 0 ∇ = 0	mm	INCH	DIMENSION STYLE IN/MM		TITLE SFP CAGE ASSEMBLY WITH ELEVEN .133" SOLDER POST LEGS FOR WAVE SOLDER
		4 PLACES ± --- ± ---	3 PLACES ± --- ± .002	DRAWN BY DIRKERS	DATE 2001/08/14	
	A	2 PLACES ± --- ± ---	1 PLACE ± 0.05 ± ---	CHECKED BY DIRKERS	DATE 2001/08/14	MOLEX MOLEX INCORPORATED
ANGULAR ± 1/2°		APPROVED BY	DATE	DOCUMENT NO. SD-73927-010	SHEET NO. 5 OF 7	
DRAFT WHERE APPLICABLE MUST REMAIN WITHIN DIMENSIONS		THIS DRAWING CONTAINS INFORMATION THAT IS PROPRIETARY TO MOLEX INCORPORATED AND SHOULD NOT BE USED WITHOUT WRITTEN PERMISSION				



1. Relational geometry per MSA standard.

EC NO: UDT2002-0278 DRWN: DIRKERS 2001/08/16 CHKD: DIRKERS 2001/08/17 APPR: BRUSSELL 2001/08/20	QUALITY SYMBOLS ▽ = 0 ▽ = 0	GENERAL TOLERANCES (UNLESS SPECIFIED)		SCALE 3:1	DESIGN UNITS METRIC	THIRD ANGLE PROJECTION	REVISE ON CAD ONLY		
		4 PLACES ± --- ± ---	3 PLACES ± --- ± .002	DIMENSION STYLE IN/MM		TITLE SFP CAGE ASSEMBLY WITH ELEVEN .133" SOLDER POST LEGS FOR WAVE SOLDER			
		2 PLACES ± --- ± ---	1 PLACE ± 0.05 ± ---	ANGULAR ± 1/2°		DRAWN BY DIRKERS	DATE 2001/08/14	MOLEX INCORPORATED	
		DRAFT WHERE APPLICABLE MUST REMAIN WITHIN DIMENSIONS		CHECKED BY DIRKERS	DATE 2001/08/14	APPROVED BY	DATE	MATERIAL NO. 73927-0010	DOCUMENT NO. SD-73927-010
THIS DRAWING CONTAINS INFORMATION THAT IS PROPRIETARY TO MOLEX INCORPORATED AND SHOULD NOT BE USED WITHOUT WRITTEN PERMISSION									

DATE	REV	CHANGES	REASONS	APPROVAL
2001/08/14	A	DIMENSIONS ADDED	INITIAL RELEASE	CD

EC NO: UDT2002-0278 DRWN: DIRKERS 2001/08/16 CHKD: DIRKERS 2001/08/17 APPR: BRUSSELL 2001/08/20	QUALITY SYMBOLS ▽ - 0 ∇ - 0	GENERAL TOLERANCES (UNLESS SPECIFIED)		SCALE 1:1	DESIGN UNITS METRIC	THIRD ANGLE PROJECTION	REVISE ON CAD ONLY		
		mm	INCH	DIMENSION STYLE IN/MM					
		4 PLACES	± ---	± ---	DRAWN BY	DATE	TITLE SFP CAGE ASSEMBLY WITH ELEVEN .133" SOLDER POST LEGS FOR WAVE SOLDER		
		3 PLACES	± ---	± .002	DIRKERS	2001/08/14			
2 PLACES	± ---	± ---	CHECKED BY	DATE	MOLEX INCORPORATED				
1 PLACE	± 0.05	± ---	DIRKERS	2001/08/14					
ANGULAR ±1/2°		DRAFT WHERE APPLICABLE MUST REMAIN WITHIN DIMENSIONS		APPROVED BY	DATE	MATERIAL NO. 73927-0010	DOCUMENT NO. SD-73927-010	SHEET NO. 7 OF 7	
THIS DRAWING CONTAINS INFORMATION THAT IS PROPRIETARY TO MOLEX INCORPORATED AND SHOULD NOT BE USED WITHOUT WRITTEN PERMISSION									