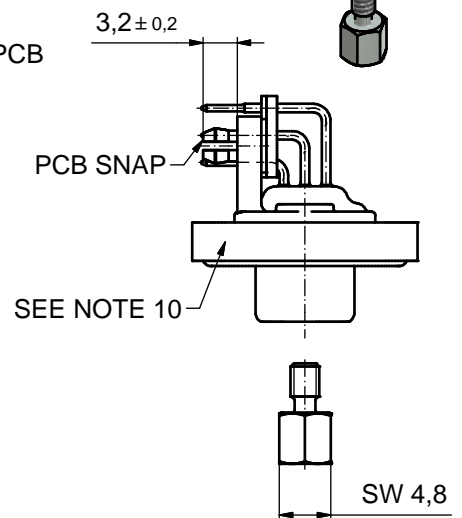
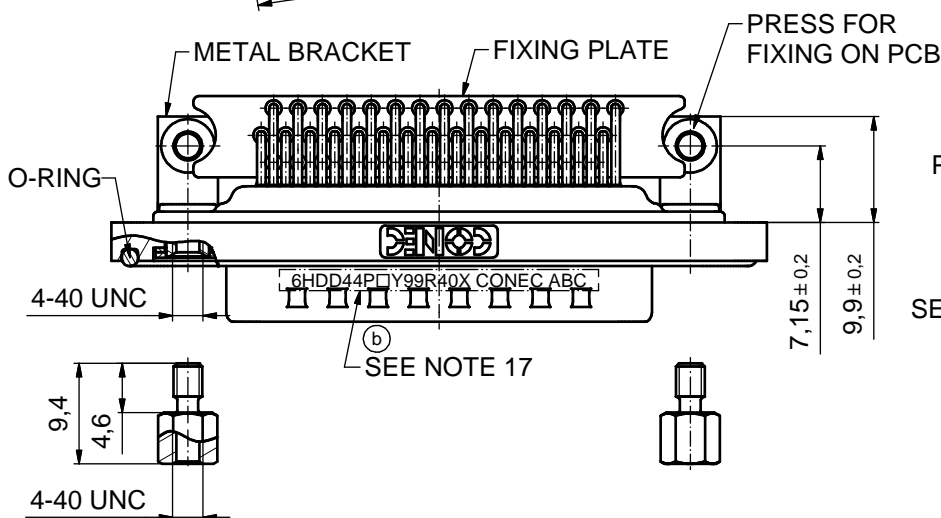
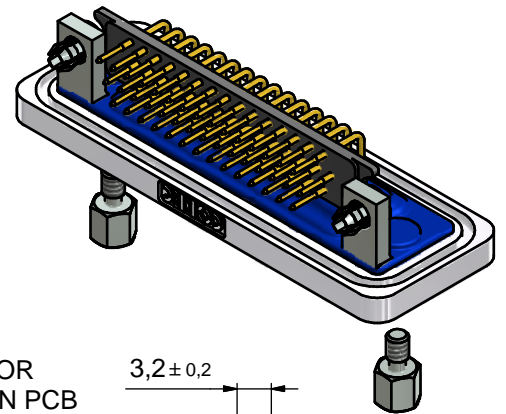
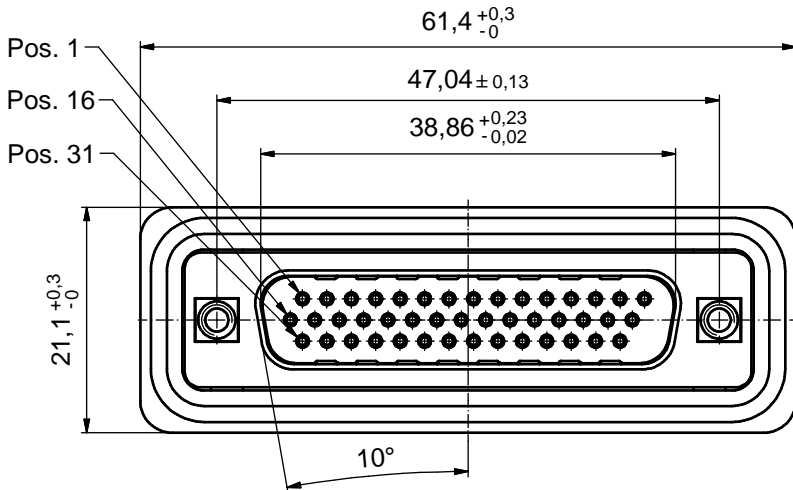
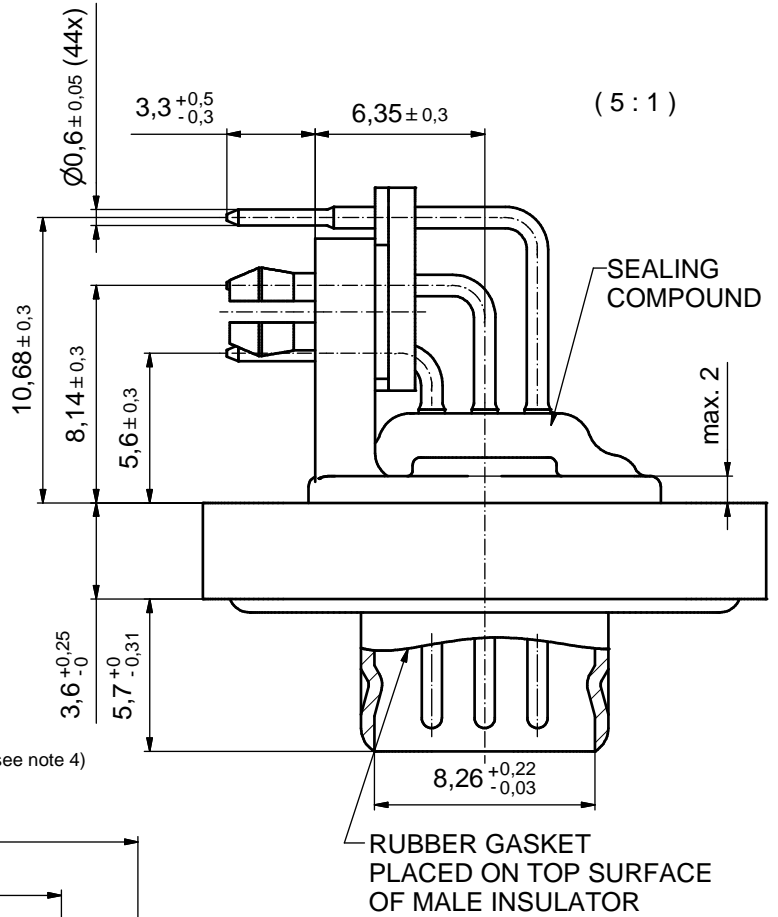


(b)
NOTES:

1. FOR WAVESOLDERING (SOLDER BATH TEMPERATURE 240°C FOR 5 SEC. / AND SOLDER PREHEAT 120°C FOR 120 SEC.)
2. METAL SHELLS: COPPER ALLOY; min. 315µm TIN over 40-80µm NICKEL
3. INSULATORS: PBT GF UL 94 V-0; BLACK
4. CONTACTS: COPPER ALLOY; PLATING (SEE PART NO.):
 PLEASE ADD A for GOLD FLASH over NICKEL (PREFERRED TYPE)
 PLEASE ADD B for 20µm HARD GOLD over min. 50µm NICKEL
 PLEASE ADD C for 30µm HARD GOLD over min. 50µm NICKEL
5. METAL BRACKETS: ZINC DIE CAST;
300µm COPPER/ 40-120µm NICKEL/ 120-200µm TIN
6. THREADED INSERTS: COPPER ALLOY;
min. 200µm TIN over 80µm NICKEL
7. PCB-SNAPS: COPPER ALLOY; min. 200µm TIN over 80µm NICKEL
PCB-HOLE: $\varnothing 3,1 \pm 0,1$; PCB THICKNESS 1,6mm
8. COLLARS: COPPER ALLOY; NICKEL PLATED
9. HEXLOCKING SCREWS: STAINLESS STEEL
10. FRAME: ZINC DIE CAST; NICKEL PLATED
11. FIXING PLATE: PBT GF UL 94 V-0; BLACK
12. O-RING: SILICON; BLUE
13. RUBBER GASKET: TPE
14. SEALING COMPOUND: PUR; BLUE
15. P.C.B. HOLE DRILLINGS AND
RECOMMENDED PANEL CUT-OUT ON SHEET 2
16. RECOMMENDED TORQUE FOR MOUNTING SCREW 35Ncm (3.1 in.LB) /
max.40Ncm (3.5 in.LB)
17. CONNECTOR IS PART MARKED: **6HDD44P□Y99R40X CONEC ABC** (see note 4)



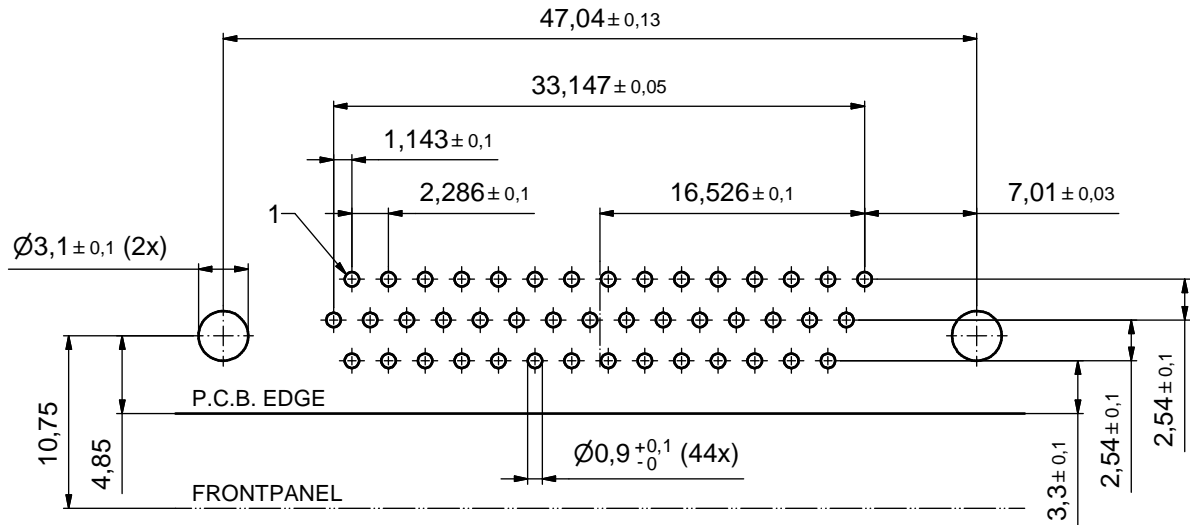
AT ALL TIMES WATER RESISTANT CONNECTORS NOT IN USE SHOULD BE COVERED WITH A CONEC WATER RESISTANT CAP OR WATERTIGHT HOOD.

Directive 2002/95/EC RoHS compliant

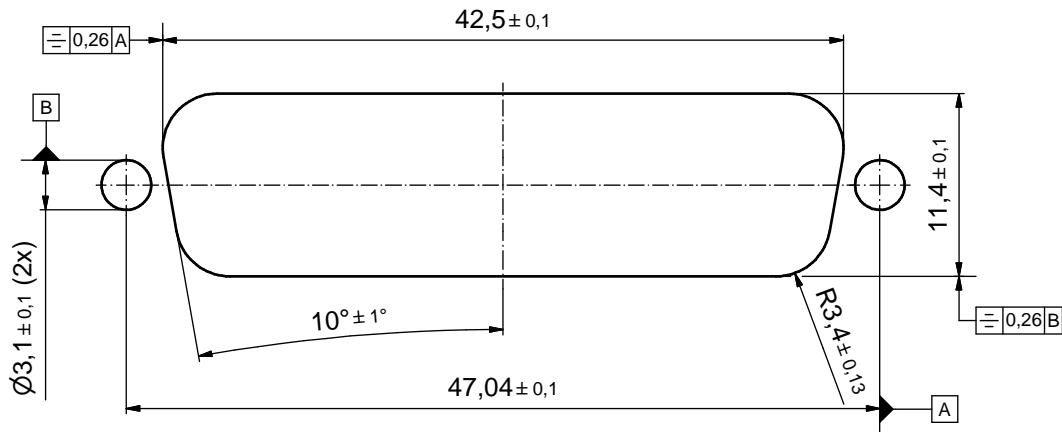
THIS DRAWING MAY NOT BE COPIED OR REPRODUCED IN ANY WAY, AND MAY NOT BE PASSED ON TO A THIRD PARTY WITHOUT WRITTEN PERMISSION. OWNERSHIP AND COPYRIGHT OF CONEC GmbH DO NOT ALTER CAD DRAWING BY HAND				tolerance		scale: 2:1 (5:1)		
				dim. in mm		material: SEE NOTES		
				date	name		title: D-SUB HD MALE 90° 44pos. SOLDER PIN ANGLED threaded insert, metal bracket, fixing-plate, snap	
				drawn	09.08.10 Henneboel			
				appd.	09.08.10 Fischer			
				norm				
				d-old	18K1A464		dwg no:	
2 x b	A4784	11.06.13	HS	CONEC		15K1A705		DIN-A3
a	Original					sh: 1		
rev.	description	date	name	part no: 6HDD44P□Y99R40X (see note 4)				

P.C.B. HOLE DRILLINGS

(P.C.B. TOP SIDE)



RECOMMENDED PANEL CUT-OUT



THIS DRAWING MAY NOT BE COPIED OR REPRODUCED IN ANY WAY, AND MAY NOT BE PASSED ON TO A THIRD PARTY WITHOUT WRITTEN PERMISSION. OWNERSHIP AND COPYRIGHT OF CONEC GmbH DO NOT ALTER CAD DRAWING BY HAND				tolerance		scale: 3:1
				dim. in mm		material: see sheet 1
	drawn	09.08.10	Henneboel	title:		
	appd.	09.08.10	Fischer	P.C.B. HOLE DRILLINGS		
	norm			PANEL CUT-OUT		
	d-old			D-SUB Male 44pos. HD SOLDER PIN 90°		
rev.	description	date	name	CONEC [®]		dwg no:
a	Original					15K1A705
						DIN-A3
						sh: 2
						part no: SEE SHEET 1