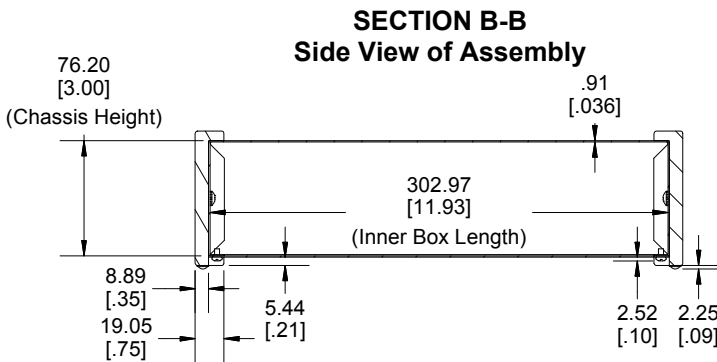
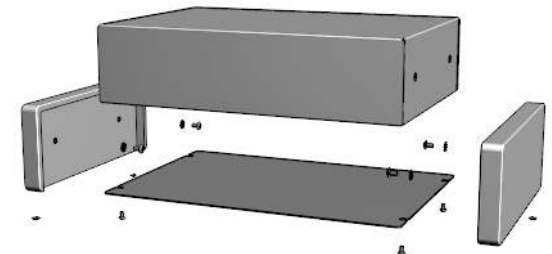
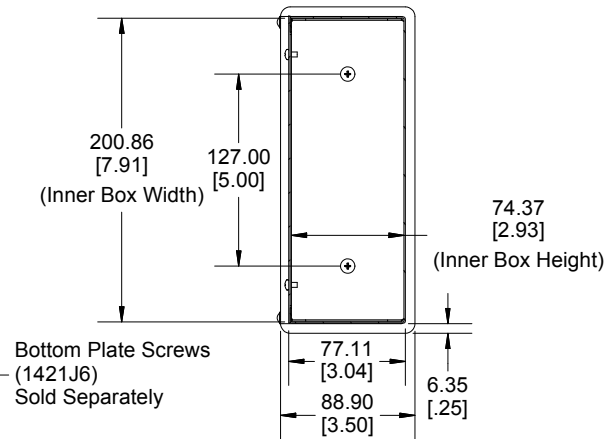
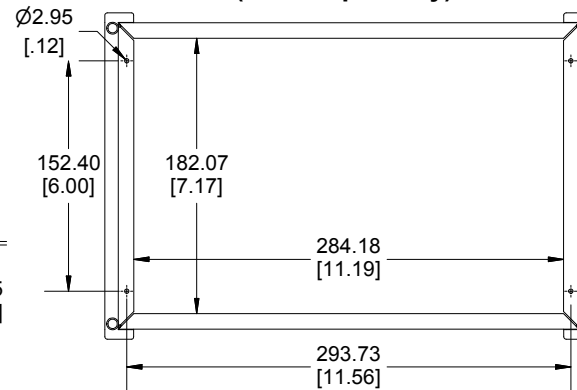


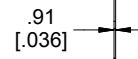
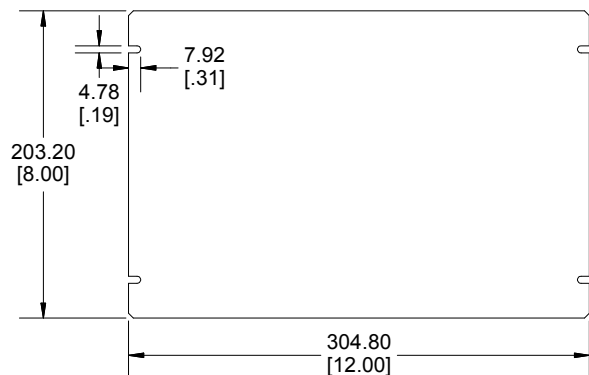
**SECTION A-A
End View of Assembly**



**Bottom View of Chassis Assembly
(Sold Separately)**



**Bottom Plate
(Sold Separately)**



Enclosures can be Factory Modified (Milling, Drilling, Printing etc.)
Contact Factory mjm@hammondmfg.com for quotes
Solid models of this enclosure available in STEP or IGES.

NOTE

Chassis Includes Wooden Sides, Adhesive Rubber Feet and Required Hardware

Chassis is Made of 0.036" Steel.

Bottom Plate is Made of 0.036" Steel. (Sold Separately)

Screws should not be torqued past 4.43 lbf.in (50 cN.m)

PART NUMBERS

1441-24BK3CWW Enclosure

Satin Black Chassis	1441-24BK3CWW
---------------------	---------------

ACCESSORIES

Satin Black Bottom Plate	1431-22BK3
--------------------------	------------

Black Cover Screws (Pkg 6) [6-32 x 1/4" Self-Tapping Screws]	1421J6BK
---	----------

Clear Self-Adhesive Rubber Feet (Pkg 24)	1421T6CL
--	----------



Dimensions:
mm
[inches]