

**Style**

M12 Plug  
5 pin  
A-coding

**Ratings**

Voltage: 60 V  
Current: 4 A

**Operating Temperature Range**

-40 ~ 85 °C

**Materials**

- ① Insulator: TPU, black
- ② Pin: C3604 brass, gold plated
- ③ Shell: C3604 brass, nickel plated

**Electrical Requirements**

Dielectric strength: 1 min @ 500 Vac  
Insulation resistance: 100 MΩ @ 500 Vdc  
Contact resistance: 10 mΩ or less

**Mechanical Requirements**

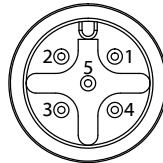
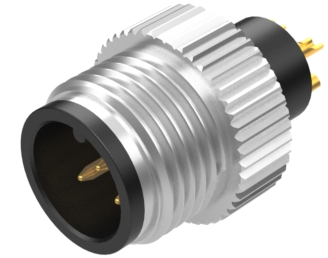
Life cycle: 500 mating cycles minimum

**Environmental Requirements**

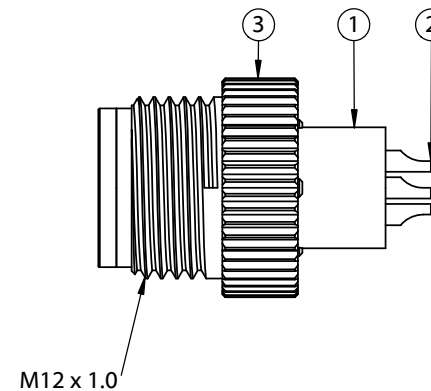
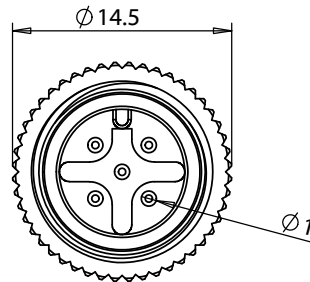
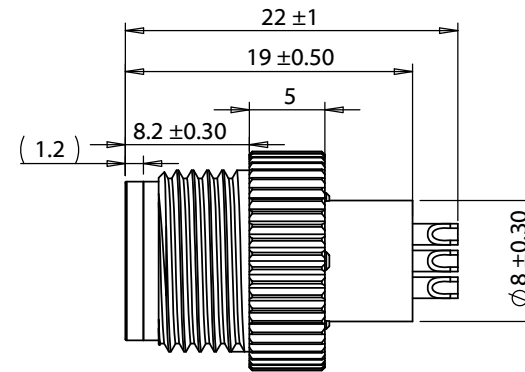
Salt spray test: 35 °C, relative humidity 90-95%, 5% NaCl mist for 48 hrs. Wash parts after test. Maintain mechanical requirements and a contact resistance of less than 10 mΩ.  
Waterproof: IP67

**Assembly Info**

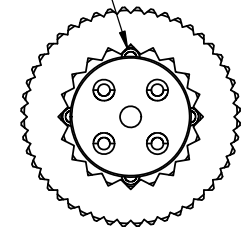
Wire gauge: 22 AWG max



Front View  
Not to Scale



Spin-locking feature  
Slide shell to unlock/lock



Revision:	Date:	Description:
A	8/4/2020	Initial release

Prepared:  
**AW**  
Digitally signed by AW  
Date: 2020.10.12  
13:09:58 -07'00'

Verified:  
**AG**  
Digitally signed by AG  
Date: 2020.10.14 12:17:42  
-07'00'

Dimensions are in millimeters.  
Tolerances:  
X: ± 0.3 mm  
X.X: ± 0.1 mm  
X.XX: ± 0.05 mm

Notes:  
RoHS compliant

Function test: no open, no short circuit, no intermittent

Description:  
Connector, 5 pin M12 A-code plug, 12xL22mm, gold plated, molding style, solder cup, IP67

# TENSILITY

tel 1.541.323.3228 800 877.670.7118  
fax 1.541.323.4202 web tensility.com

Size: A	Part number: <b>50-00974</b>
Scale: 2:1	Sheet 1 of 1