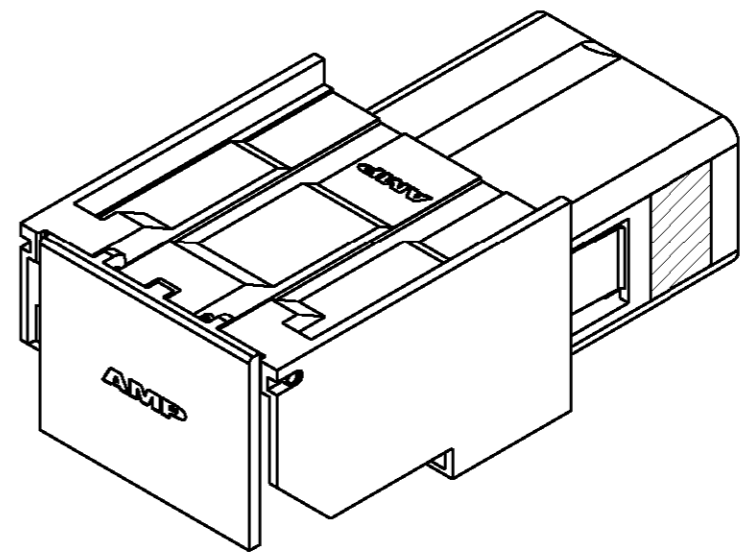
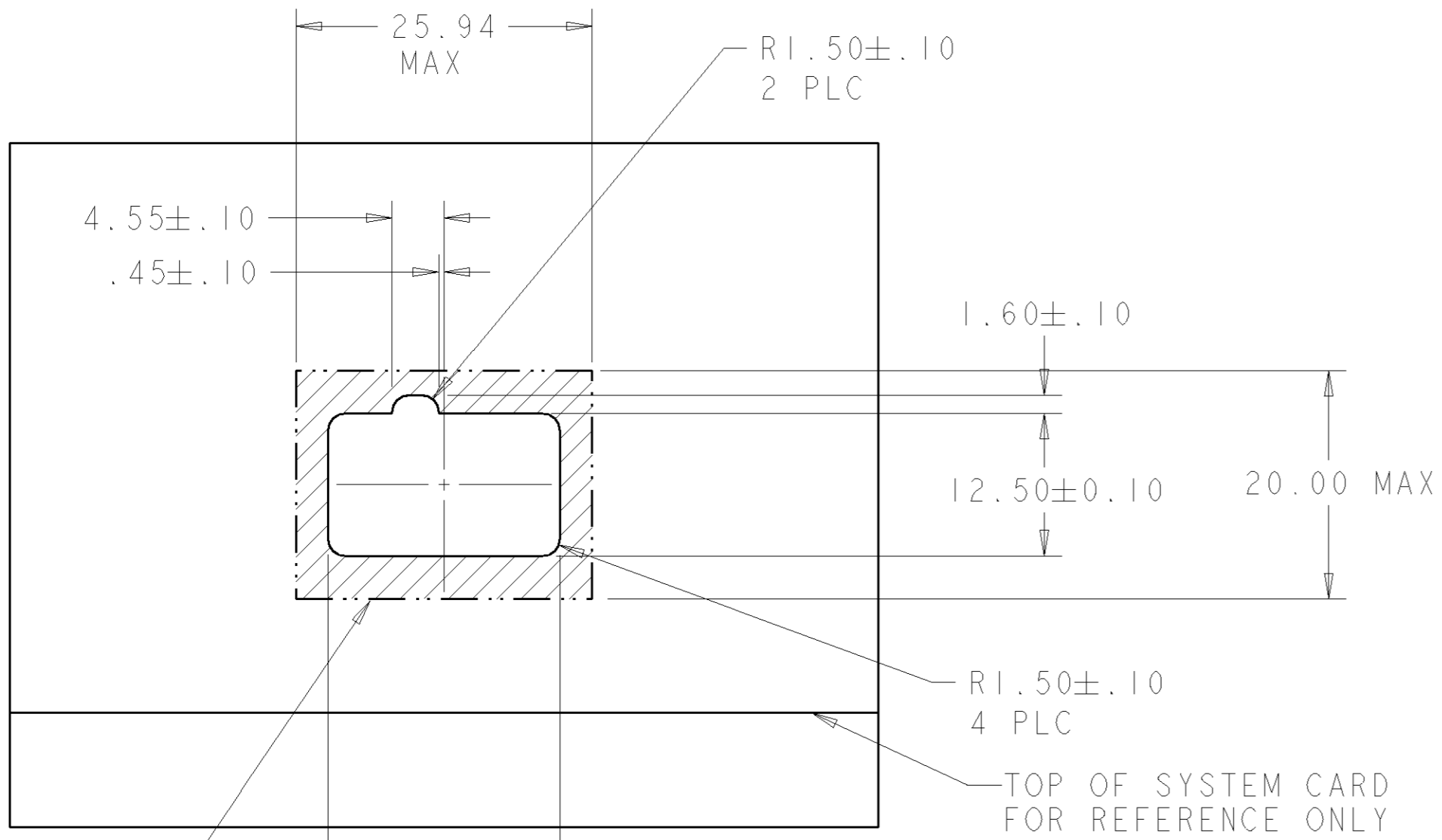
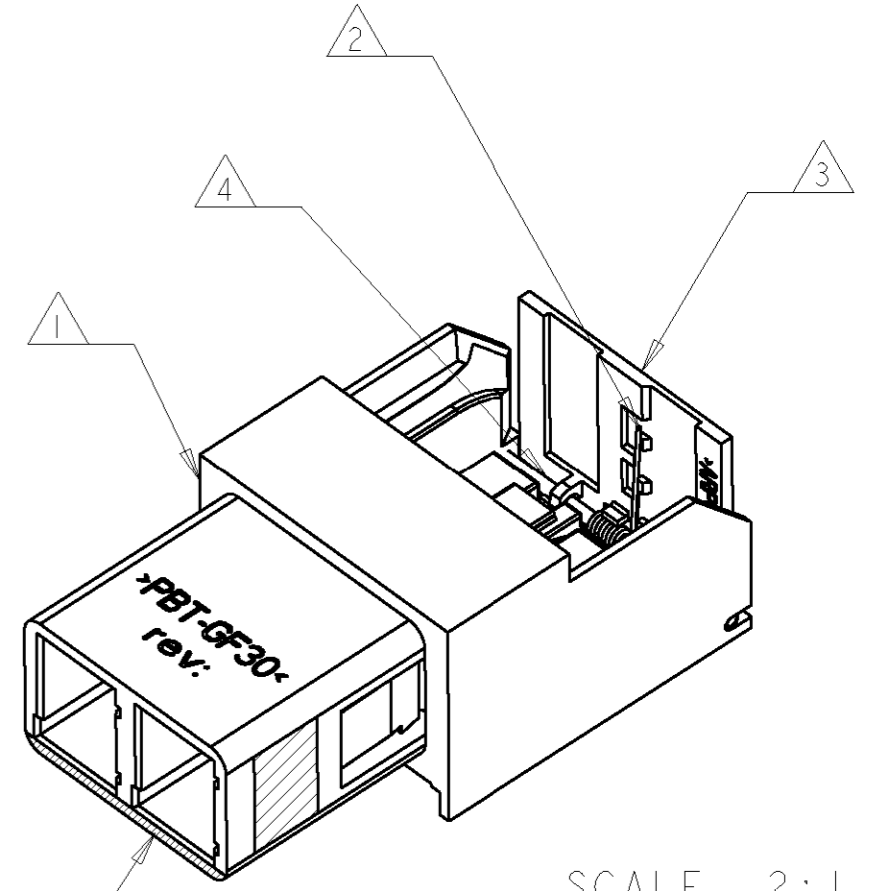


THIS DRAWING IS UNPUBLISHED. RELEASED FOR PUBLICATION 20
 © COPYRIGHT 20 BY TYCO ELECTRONICS CORPORATION. ALL RIGHTS RESERVED.

LOC	DIST	REVISIONS			
P	LTR	DESCRIPTION	DATE	DWN	APVD
CE	16				
	A	DRAWN	16 JAN 06	EH	AP



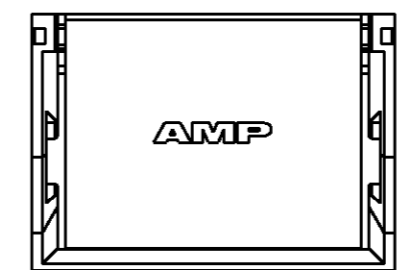
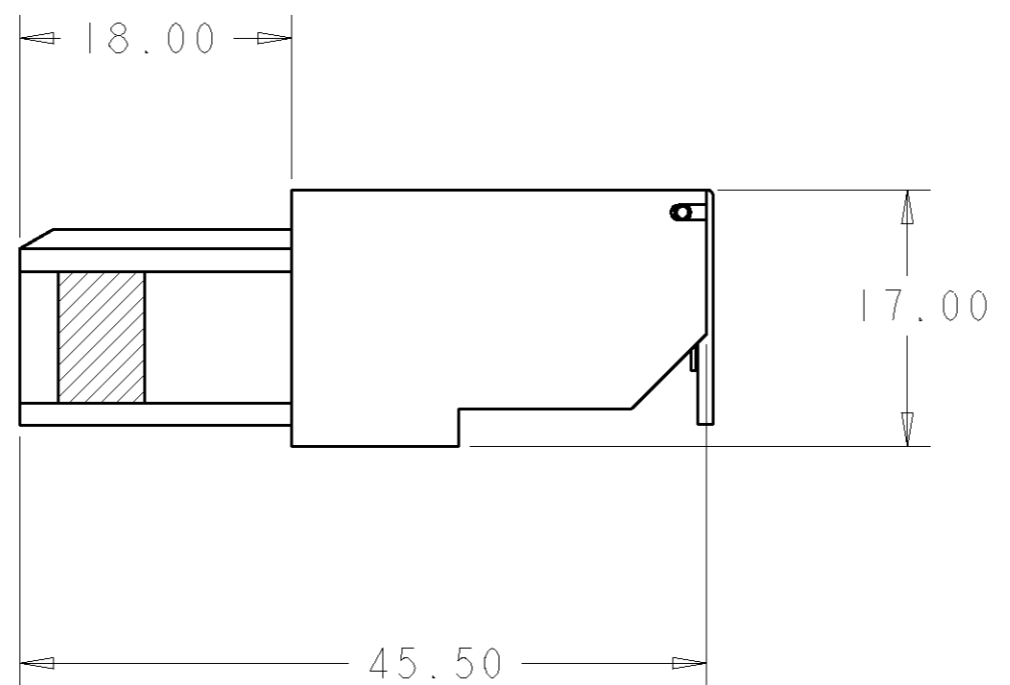
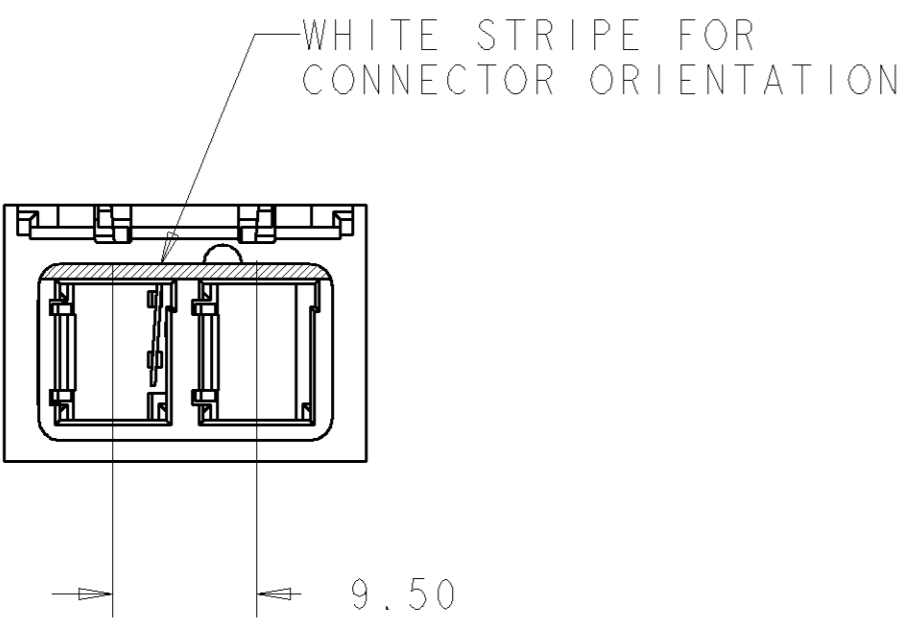
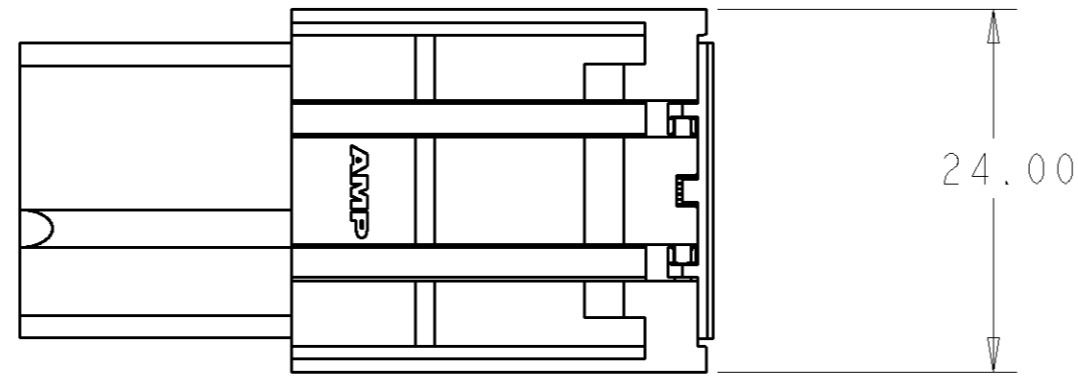
SCALE 2:1



SCALE 2:1

WHITE STRIPE FOR CONNECTOR ORIENTATION

20.30 ±0.10
 MAX AREA FOR RETENTION CLIP
 SUGGESTED PANEL CUT-OUT
 LOOKING FROM SYSTEM CARD SIDE
 SCALE 2:1



NOTES:

- ① HOUSING MATERIAL: GLASS FILLED THERMOPLASTIC.
- ② SHUTTER SPRING MATERIAL: STAINLESS STEEL.
- ③ SHUTTER MATERIAL: THERMOPLASTIC
- ④ PIN MATERIAL: SST
- 5 HOUSING DESIGNED TO BE INSTALLED WITH RETENTION CLIP P/N 1278530-2, USING SEATING TOOL, P/N 1278945-4, AND MOTHERBOARD SUPPORT, P/N 1278944-2. REFER TO INSTRUCTION SHEET 408-8332.

6374493-1
 PART NUMBER

THIS DRAWING IS A CONTROLLED DOCUMENT FOR TYCO ELECTRONICS CORPORATION. IT IS SUBJECT TO CHANGE AND THE CONTROLLING ENGINEERING ORGANIZATION SHOULD BE CONTACTED FOR THE LATEST REVISION.		DWN E. HALEY 16 JAN 06	Tyco Electronics Harrisburg, PA 17105-3608	
DIMENSIONS: mm		CHK A. PLOTTS 16 JAN 06	NAME BACKPLANE HOUSING ASSEMBLY, LIGHTRAY MPX, 1X2 VERTICAL W/SHUTTER	
TOLERANCES UNLESS OTHERWISE SPECIFIED: 0 PLC ± 1 PLC ± 2 PLC ±0.13 3 PLC ± 4 PLC ± ANGLES ± FINISH		APVD A. PLOTTS 16 JAN 06	PRODUCT SPEC - APPLICATION SPEC -	
MATERIAL		WEIGHT -	SIZE A200779	RESTRICTED TO -
CUSTOMER DRAWING		SCALE 2:1	DRAWING NO 6374493	SHEET 1 OF 1 REV A