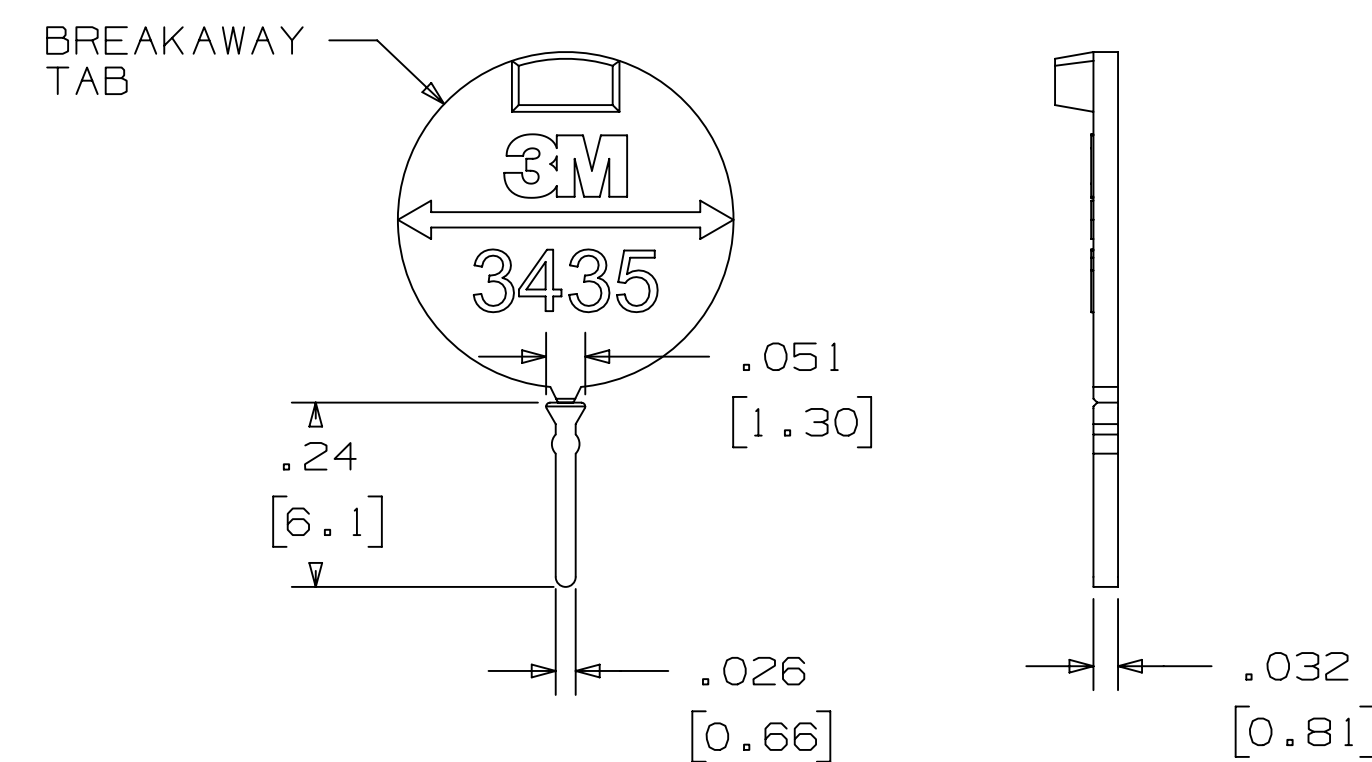


3M™ ACCESSORIES

.100" X .100" WIREMOUNT SOCKET AND HEADER

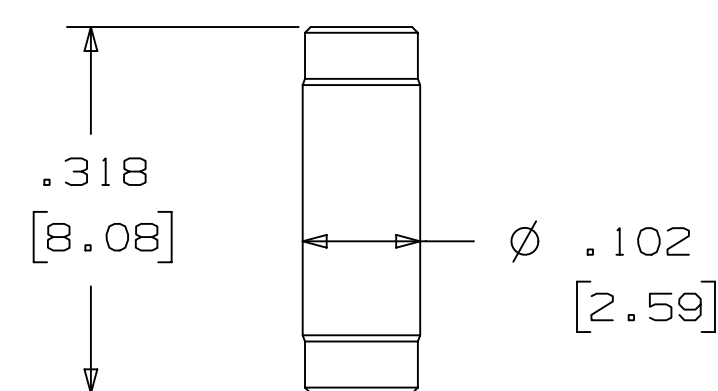
NOTES
1. REGULATORY INFORMATION:
VISIT 3M.com/regs

POLARIZING KEY
3435-0



NOTE:
1) MATERIAL: POLYESTER, GRAY (PET)

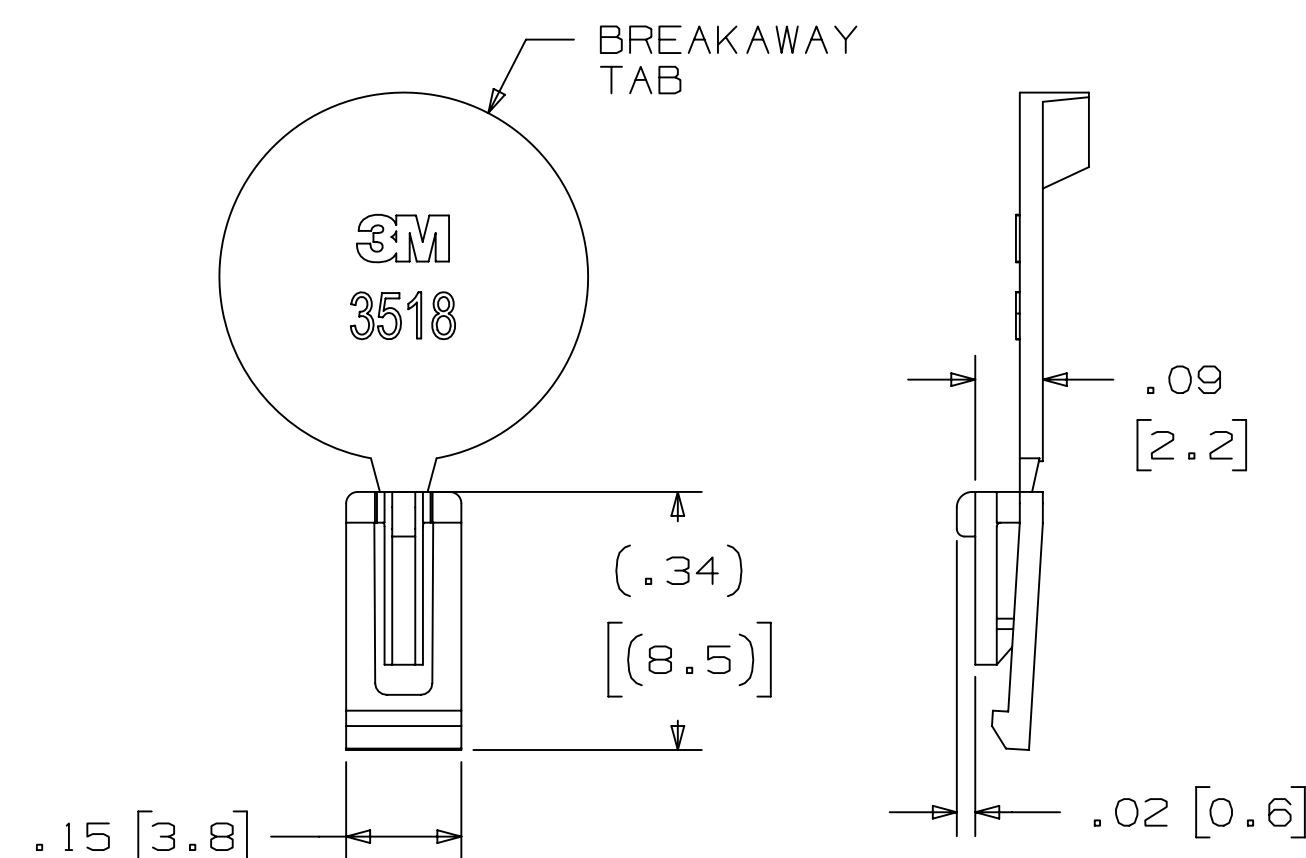
POLARIZING POST
3201



3M PART NO.	MATERIAL	COLOR
3201-4	PET	BLACK
3201-5	PET	GRAY

NOTE:
1) INSERT POST INTO ONE MOUNTING
HARDWARE HOLE ON BOTTOM OF HEADER.
SET POST TO PROTRUDE .115 [2.92]

POLARIZING KEY
3518

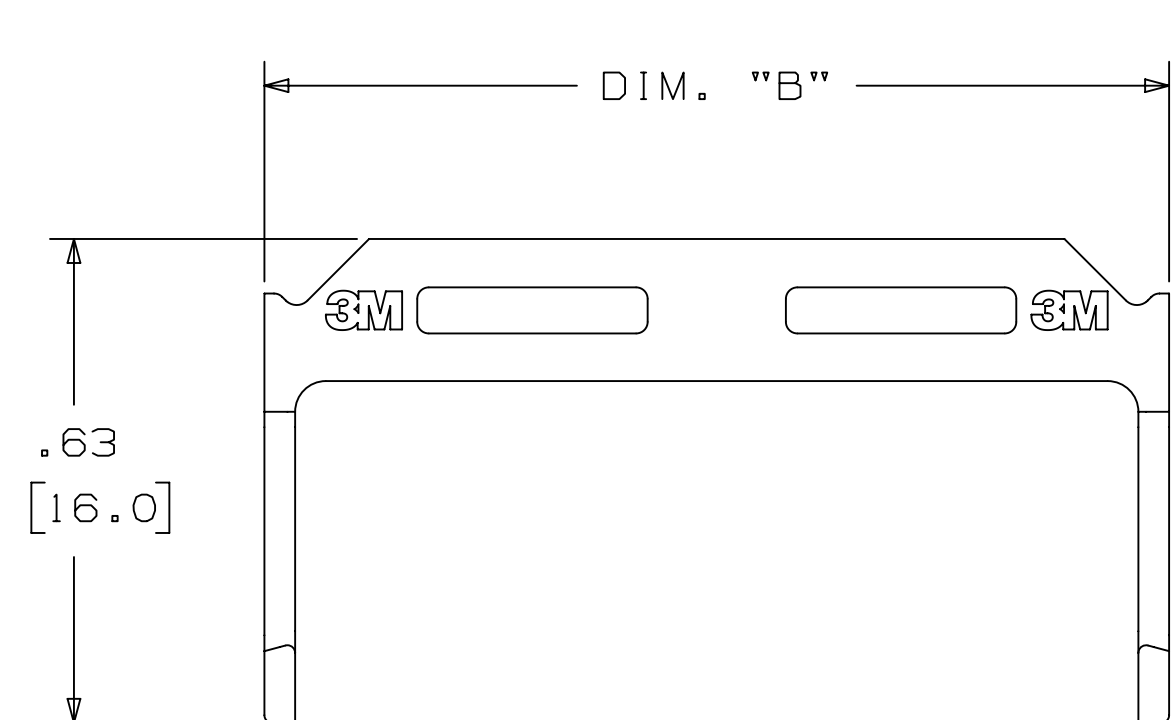


3M PART NO.	MATERIAL	COLOR
3518	PBT	GRAY
N3518	LCP	BLACK

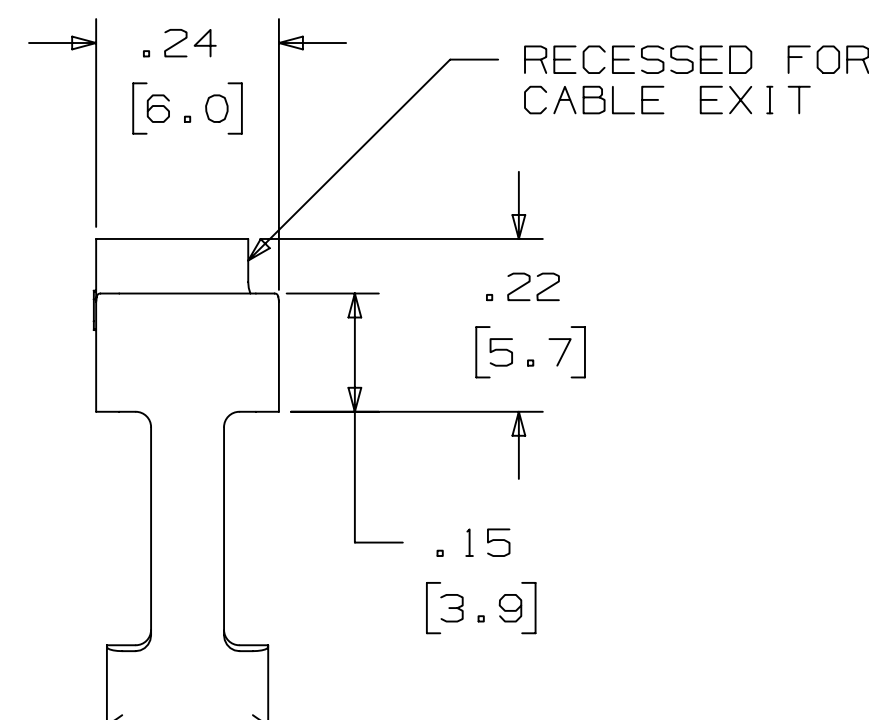
NOTE:
1) #2216 B/A SCOTCHWELD CAN BE USED TO
ADHERE KEYS.

ORDERING INFORMATION
3448-XOXX

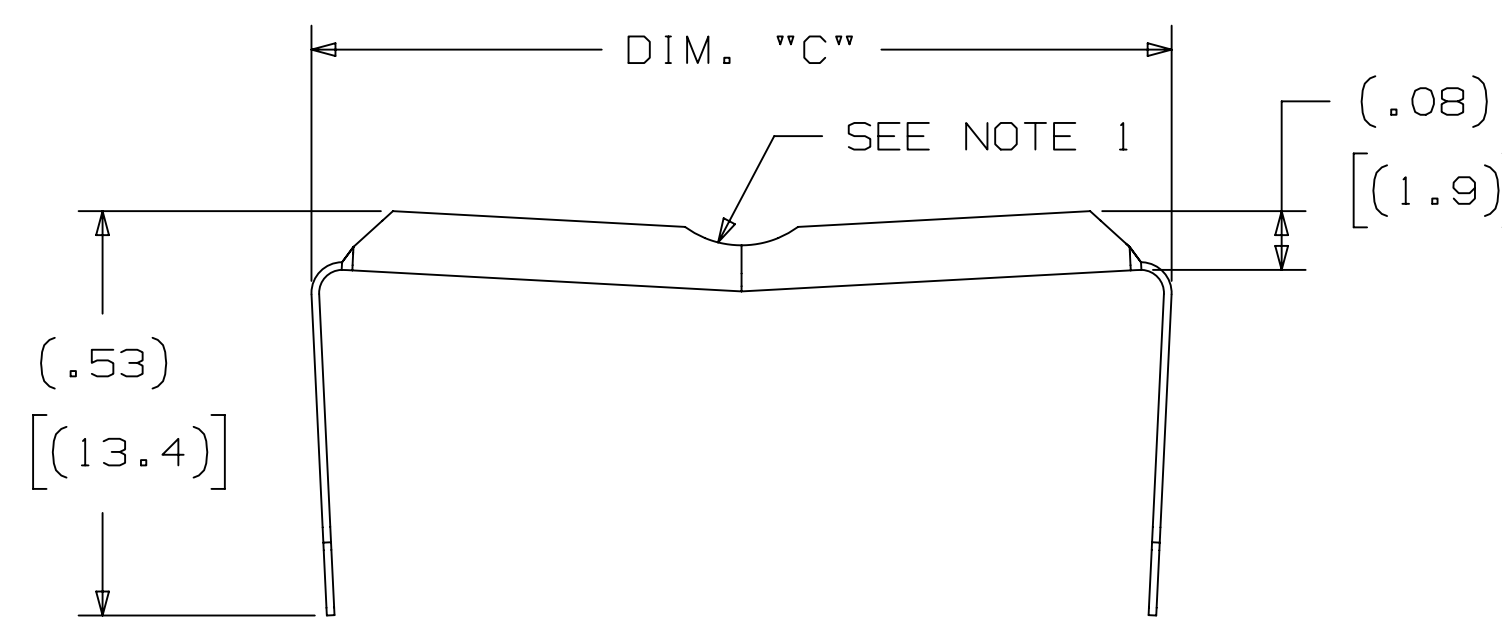
TYPE: _____ XX = CONTACT QUANTITY
2 = METAL OF SOCKET;
10-60 POSITION (I.E. 50 FOR
3 = PLASTIC 50 POSITION
STRAIN RELIEF)



PLASTIC
1) MATERIAL: POLYESTER, GRAY (PET)



STRAIN RELIEF 3448		
CONTACT QTY.	DIM. "B"	DIM. "C"
06	0.48 [12.2]	N/A
08	0.58 [14.7]	N/A
10	0.68 [17.3]	0.62 [15.7]
14	0.88 [22.4]	0.82 [20.8]
16	0.98 [24.9]	0.92 [23.4]
20	1.18 [30.0]	1.12 [28.4]
24	1.38 [35.1]	1.32 [33.5]
26	1.48 [37.6]	1.42 [36.1]
30	1.68 [42.7]	1.62 [41.1]
34	1.88 [47.8]	1.82 [46.2]
36	1.98 [50.3]	1.92 [48.8]
40	2.18 [55.4]	2.12 [53.8]
44	2.38 [60.5]	2.32 [58.9]
50	2.68 [68.1]	2.62 [66.5]
60	3.18 [80.8]	3.12 [79.2]



NOTE:
1) THE NOTCH IS NOT REQUIRED
ON 26 POSITION AND LARGER.
2) MATERIAL: STAINLESS STEEL
PASIVATED

DIMENSIONS: INCHES [MM]
[MM] IS FOR REF. ONLY

DESIGN REFERENCE	NEXT ASSEMBLY	REV	ECO	ISSUE DATE AND DESCRIPTION	DRFT	CHKD
		DRFT	CASTIGLIONE	DATE	DATE	DATE
		CHKD		DATE	DATE	DATE
		APPV	F. RODRIGUEZ	DATE	DATE	DATE
				DATE	DATE	DATE
DIVISION		DIVISION CODE		EMSD		
DO NOT SCALE DRAWING		SCALE		TOLERANCES EXCEPT AS NOTED		
THIRD ANGLE PROJECTION		INTERPRET PER ASME Y14.5 - 2018		MILLIMETERS		
MAX SURFACE ROUGHNESS		ALL SURFACES		MARKED ONLY		
INCHES		MILLIMETERS		ANGLES		
.0 ± .1		.0 ± .1		.0 ± .1		
.00 ± .01		.00 ± .01		.00 ± .01		
.000 ± .005		.000 ± .005		.000 ± .005		
.0000 ± .0002		.0000 ± .0002		.0000 ± .0002		
CAGE NUMBER		DRAWING NO.		REV.		
D 78-5100-0720-2		F		SHT 1 OF 3		
MODEL		3000 2500 1M		DET		
				YES NO SHT 1 OF 3		

3M ELECTRONICS MATERIALS SOLUTIONS DIVISION
INTERCONNECT SOLUTIONS
<http://www.3m.com/interconnect>

3M IS A TRADEMARK OF 3M COMPANY.
FOR TECHNICAL, SALES OR ORDERING
INFORMATION CALL 800-225-5373

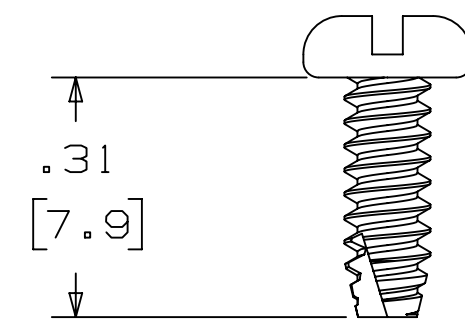
DRAWING NUMBER 78-5100-0720-2

REVISION

3M™ ACCESSORIES

.100" X .100" WIREMOUNT SOCKET AND HEADER

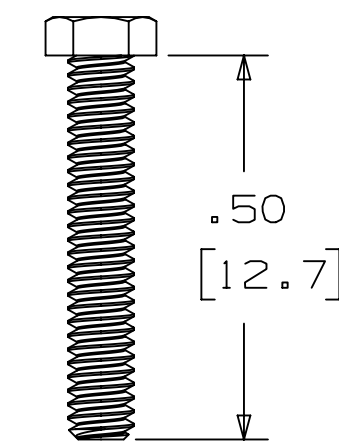
MOUNTING HARDWARE 3000 SERIES



3341-5

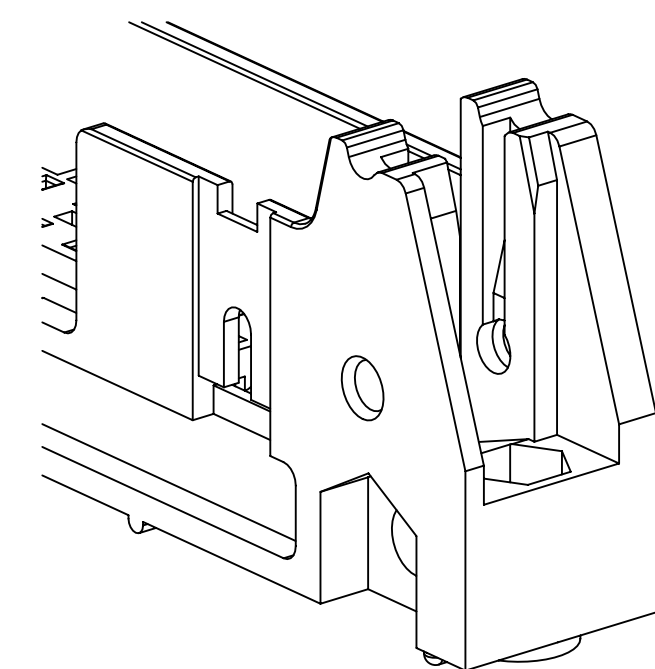
(INSTALL FROM BOTTOM OF BOARD)
SEE NOTE 1

PANHEAD THREAD CUTTING SCREW:
#4-24 X 5/16"
TYPE: USA STD BT, FEDERAL BG
MATERIAL: STAINLESS STEEL

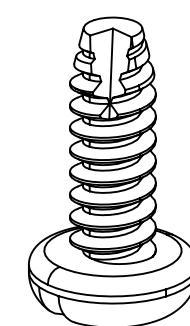


3341-6

HEX HEAD BOLT, NUT AND WASHER:
BOLT - #2-56 X 1/2"
MATERIAL: STAINLESS STEEL

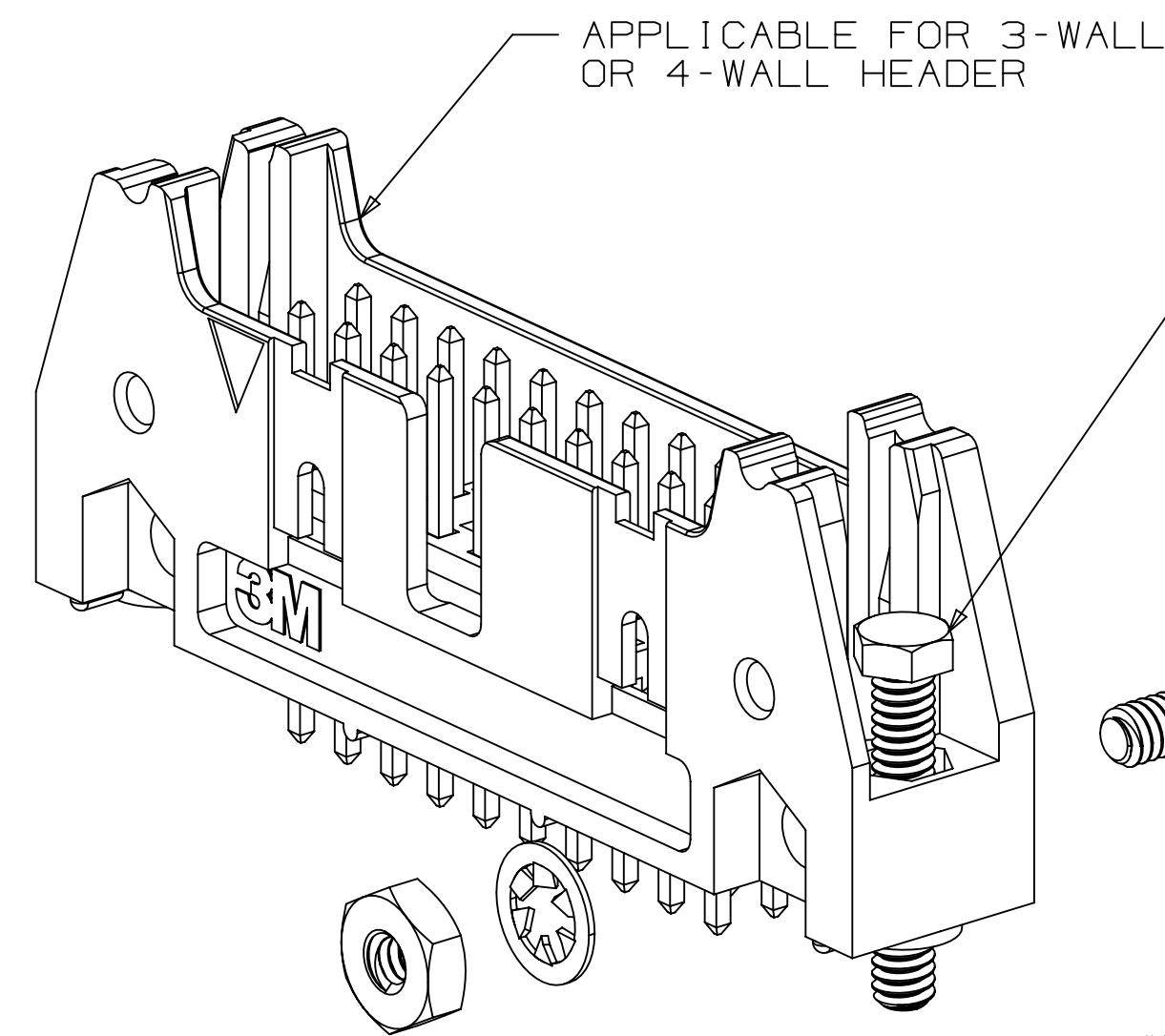


3341-5



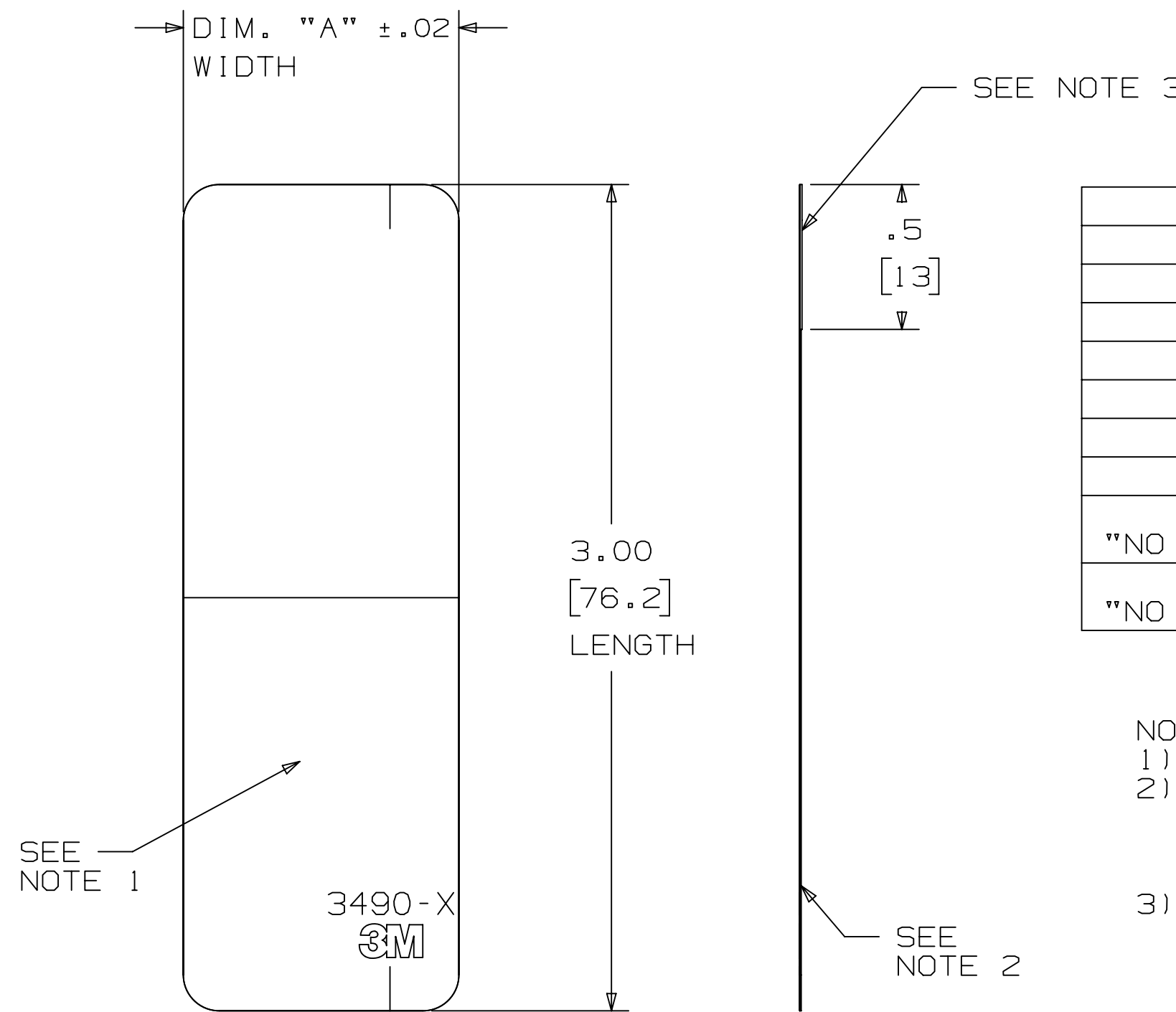
NOTE:
1) MOUNTING HARDWARE:
FROM SOLDER SIDE OF PC BOARD
USE #4-24 THREAD CUTTING SCREW
(3M PART #3341-5) WITH
Ø .116 [2.95] MOUNTING HOLE.
FOR RIGHT ANGLE VERSION ONLY:
#2-56 BOLT AND NUT (3M PART
#3341-6) WITH Ø .106 [2.69]
MOUNTING HOLE MAY BE USED.

#4-24 TYPE BT SELF THREADING SCREW
WHEN USING LATCHES, MAXIMUM LENGTH
OF SCREW IS .250 INCHES PLUS
THICKNESS OF THE BOARD.



3341-6
#2-56 NUT AND BOLT

STANDARD PULL TAB 3490



3M PART NUMBER	DIMENSION "A"
3490-1	0.50 [12.7]
3490-2	1.00 [25.4]
3490-3	1.50 [38.1]
3490-4	2.00 [50.8]
3490-5	2.50 [63.5]
3490-7	3.10 [78.7]
3490-6	3.25 [82.6]
3490-9	1.50 [38.1] WIDTH
"NO PRODUCT LABELING"	2.00 [50.8] LENGTH
3490-10	
"NO PRODUCT LABELING"	0.26 [6.6]

NOTES:
1) MATTE FINISH FOR INK LABELING.
2) MATERIAL: POLYESTER
THICKNESS: .005 ± .001
FLAMMABILITY: OXYGEN INDEX
MINIMUM 28, ASTM D-2863.
3) MATERIAL:
DOUBLE SIDED ADHESIVE TABE WITH LINER.

3M ELECTRONICS MATERIALS SOLUTIONS DIVISION
INTERCONNECT SOLUTIONS
<http://www.3m.com/interconnect>

3M IS A TRADEMARK OF 3M COMPANY.
FOR TECHNICAL, SALES OR ORDERING
INFORMATION CALL 800-225-5373

REV	ECO	ISSUE DATE AND DESCRIPTION	DRFT	CHKD
F	106900	SEP 15, 2022 REVISED AND REDRAWN	JNC	FJR
E	46446	MAY 13, 2013 CORRECT CODE FOR 3201 POST	SJS	ARM
D	34670	JUN 21, 2012 ADD REF TO OTHER TS	SJS	ARM
C	32294	APR 06, 2011 ADD 6P AND 8P	SBO	SAN
B	21878	MAR 06, 2009 ADD 3490-10	SJS	RKR
A	AT2103	APR 23, 2007 MIGRATED FROM OLD SYSTEM AND FIX ERRORS	ESD	ESD

DESIGN REFERENCE	NEXT ASSEMBLY

DRWS	CHKD	DATE	APPV	DATE
CASTIGLIONE		SEP 14, 2022	F. RODRIGUEZ	SEP 14, 2022

DO NOT SCALE DRAWING	SCALE	TOLERANCES EXCEPT AS NOTED
		INCHES 0 ± .1 .00 ± .01 .000 ± .005 .0000 ± .0002
		MILLIMETERS 0 ± .0 ± .00 ± .000 ±

THIRD ANGLE PROJECTION	INTERPRET PER ASME Y14.5 - 2018

MAX SURFACE ROUGHNESS	ALL SURFACES

DESIGN REFERENCE	NEXT ASSEMBLY

3M	3M Center
	St. Paul, MN 55144

TITLE
3M ACCESSORIES, WMT, .100" X .100" SOCKET AND HEADER

CAGE NUMBER	SIZE	DRAWING NO.	REV.
D	3000 2500 1M	78-5100-0720-2	F

MODEL	DET	YES	NO	SHT	OF	TOTAL
				2	2	3

3M™ ACCESSORIES

.100" X .100" WIREMOUNT SOCKET AND HEADER

Regulatory: For regulatory information about this product, visit 3M.com/regs or contact your 3M representative.

Technical Information: The technical information, guidance, and other statements contained in this document or otherwise provided by 3M are based upon records, tests, or experience that 3M believes to be reliable, but the accuracy, completeness, and representative nature of such information is not guaranteed. Such information is intended for people with knowledge and technical skills sufficient to assess and apply their own informed judgment to the information. No license under any 3M or third party intellectual property rights is granted or implied with this information.

Product Use: Many factors beyond 3M's control and uniquely within user's knowledge and control can affect the use and performance of a 3M product in a particular application. As a result, customer is solely responsible for evaluating the product and determining whether it is appropriate and suitable for customer's application, including conducting a workplace hazard assessment and reviewing all applicable regulations and standards (e.g., OSHA, ANSI, etc.). Failure to properly evaluate, select, and use a 3M product in accordance with all applicable instructions and with appropriate safety equipment, or to meet all applicable safety regulations, may result in injury, sickness, death, and/or harm to property.

Warranty, Limited Remedy, and Disclaimer: Unless a different warranty is specifically stated on the applicable 3M product packaging or product literature (in which case such warranty governs), 3M warrants that each 3M product meets the applicable 3M product specification at the time 3M ships the product. 3M MAKES NO OTHER WARRANTIES OR CONDITIONS, EXPRESS OR IMPLIED, INCLUDING, BUT NOT LIMITED TO, ANY IMPLIED WARRANTY OR CONDITION OF MERCHANTABILITY, FITNESS FOR A PARTICULAR PURPOSE, OR ANY IMPLIED WARRANTY OR CONDITION ARISING OUT OF A COURSE OF DEALING, CUSTOM, OR USAGE OF TRADE. If a 3M product does not conform to this warranty, then the sole and exclusive remedy is, at 3M's option, replacement or repair of the 3M product or refund of the purchase price.

Limitation of Liability: Except for the limited remedy stated above, and except to the extent prohibited by applicable law, 3M will not be liable for any loss or damage arising from or related to the 3M product, whether direct, indirect, special, incidental, or consequential (including, but not limited to, lost profits or business opportunity), regardless of the legal or equitable theory asserted, including, but not limited to, warranty, contract, negligence, or strict liability.


Disclaimer: For industrial use only. Not intended, labeled or packaged for consumer sale or use.

3M Company
 Electronics Materials Solutions Division
 13011 McCallen Pass, Bldg. C
 Austin, TX 78753-5380
 1-800-225-5373
www.3M.com/interconnect

3M ELECTRONICS MATERIALS SOLUTIONS DIVISION
 INTERCONNECT SOLUTIONS
<http://www.3M.com/interconnect>

3M IS A TRADEMARK OF 3M COMPANY.
 FOR TECHNICAL, SALES OR ORDERING
 INFORMATION CALL 800-225-5373

REV	ECO	ISSUE DATE AND DESCRIPTION	DRFT	CHKD
F	106900	SEP 15, 2022 REVISED AND REDRAWN	JNC	FJR
E	46446	MAY 13, 2013 CORRECT CODE FOR 3201 POST	SJS	ARM
D	34670	JUN 21, 2012 ADD REF TO OTHER TS	SJS	ARM
C	32294	APR 06, 2011 ADD 6P AND 8P	SBO	SAN
B	21878	MAR 06, 2009 ADD 3490-10	SJS	RKR
A	AT2103	APR 23, 2007 MIGRATED FROM OLD SYSTEM AND FIX ERRORS	ESD	ESD

DESIGN REFERENCE	NEXT ASSEMBLY	REV	ECO	ISSUE DATE AND DESCRIPTION	DRFT	CHKD
		DRFT	CASTIGLIONE	DATE	SEP 14, 2022	MFG
		CHKD		DATE		
DIVISION	DIVISION CODE	 © 3M COPYRIGHT 2022 This document and the information it contains are 3M property and may not be reproduced or further distributed without 3M permission, or used or disclosed other than for 3M authorized purposes. All rights reserved.				
DO NOT SCALE DRAWING	SCALE	TOLERANCES EXCEPT AS NOTED INCHES .0 ± .1 .00 ± .01 .000 ± .005 .0000 ± .0002				
THIRD ANGLE PROJECTION	INTERPRET PER ASME Y14.5 - 2018	MILLIMETERS 0 ± .0 ± .00 ± .000 ±				
MAX SURFACE ROUGHNESS	ALL SURFACES	CAGE NUMBER D 78-5100-0720-2 MODEL 3000 2500 1M DET <input type="checkbox"/> YES <input checked="" type="checkbox"/> NO SHT 3 OF 3				
<input checked="" type="checkbox"/> MARKED ONLY	ANGLES					

78-5100-0720-2
DRAWING NUMBER
Revision