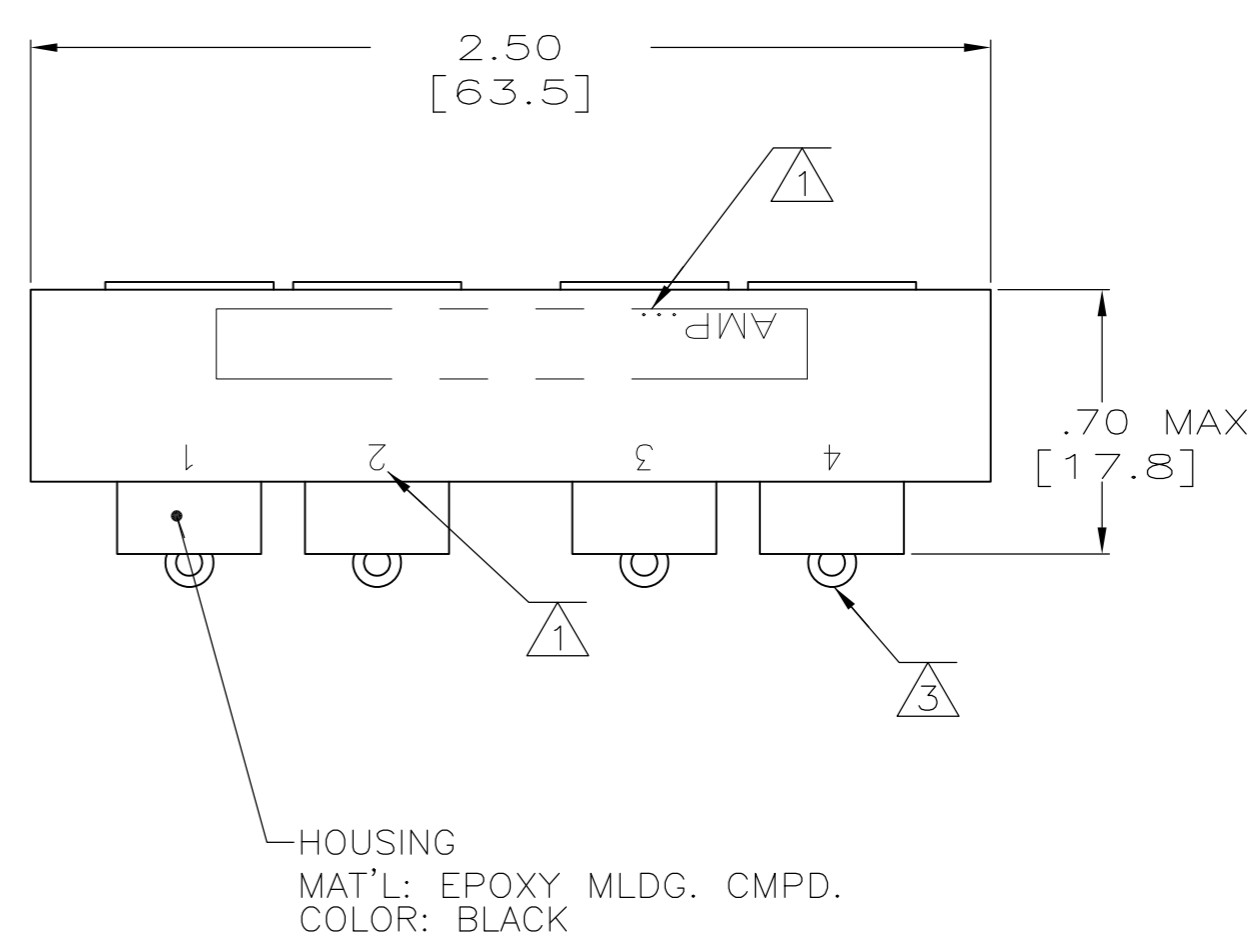
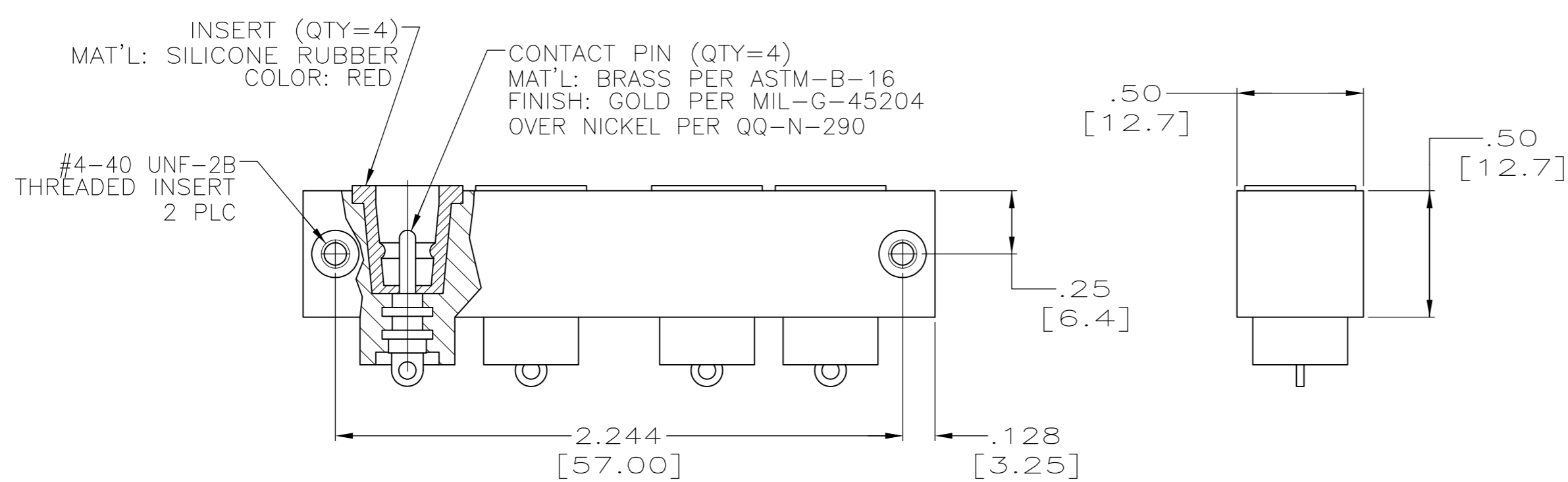
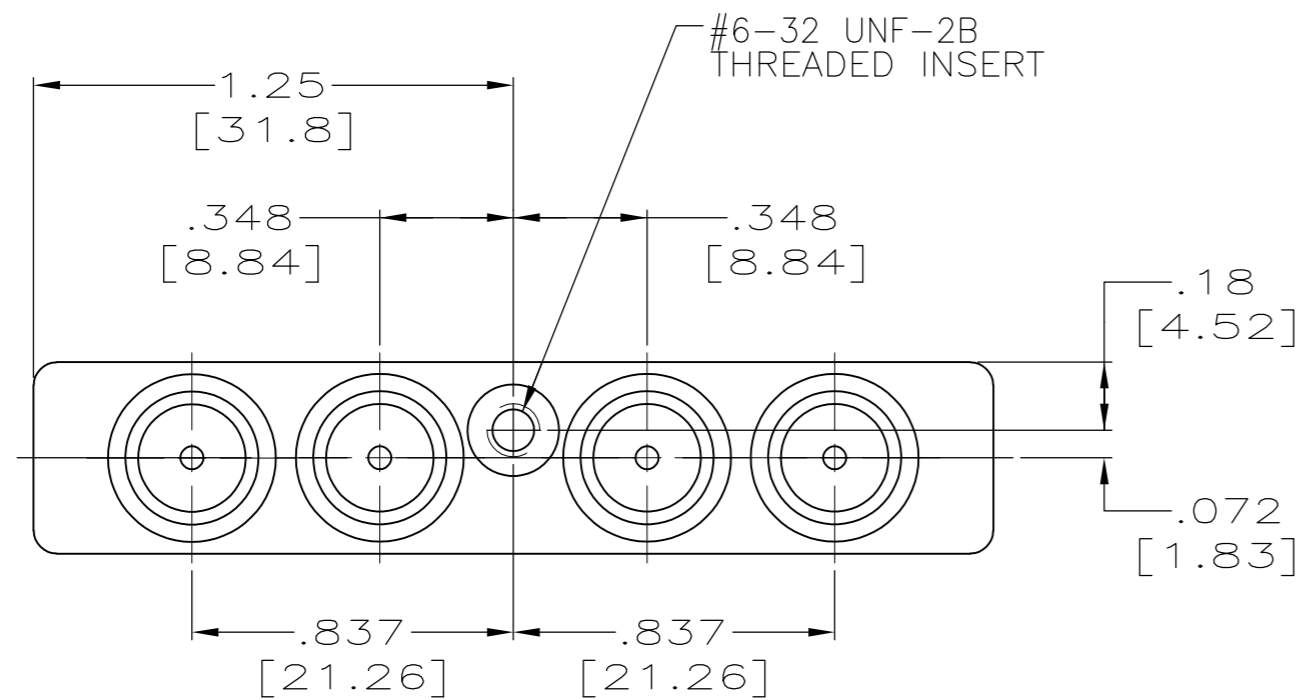


THIS DRAWING IS UNPUBLISHED. RELEASED FOR PUBLICATION
 © COPYRIGHT - By - ALL RIGHTS RESERVED.

LOC		DIST		REVISIONS			
P	LTR	DESCRIPTION		DATE	DWN	APVD	
DF	S0	C	REV PER ECO-12-006967	26APR12	PY	DE	



- 1 MARKED PER MIL-STD-130.
- 2. REQUIREMENTS: 31 KVDC AT SEA LEVEL FOR 2 MIN. IR: 5000 MEGOHMS MIN.
- 3 PIN CONTACT EYELETS ARE PRE-TINNED PER MIL-T-10727.

867948-1
PART NO.

THIS DRAWING IS A CONTROLLED DOCUMENT.		DWN	C.C.THOMAS	11-5-92	STE TE Connectivity		
DIMENSIONS: INCHES		CHK	S.GLATFELTER	11-9-92			
TOLERANCES UNLESS OTHERWISE SPECIFIED:		APVD	-	-	NAME		
0 PLC ± -		PRODUCT SPEC	-	-	RCPT. BLOCK,4 POSN.,LGH		
1 PLC ± -		APPLICATION SPEC	-	-	SIZE	CAGE CODE	DRAWING NO
2 PLC ± .02 [0.5]		WEIGHT	-	-	A2	00779	C=867948
3 PLC ± .010 [0.25]		CUSTOMER DRAWING	SCALE	21:1	SHEET	1 of 1	REV
4 PLC ± -							C
ANGLES ± -							
FINISH SEE CALLOUTS							

CUSTOMER DRAWING