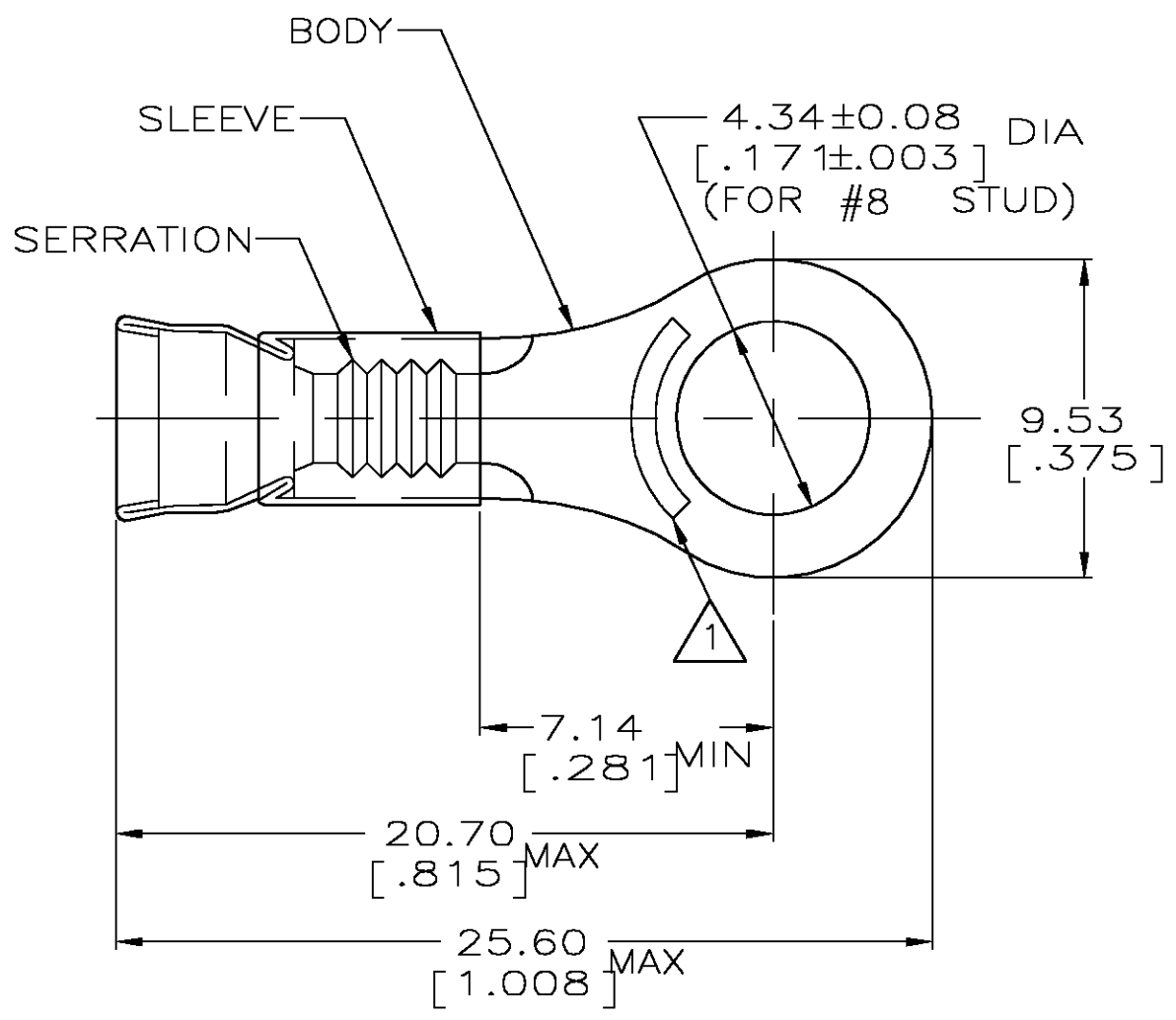


THIS DRAWING IS UNPUBLISHED. RELEASED FOR PUBLICATION  
 © COPYRIGHT BY TYCO ELECTRONICS CORPORATION. ALL RIGHTS RESERVED.

LOC	DIST	REVISIONS			
P	LTR	DESCRIPTION	DATE	DWN	APVD
G	14	R	REV PER 0G3A-0279-03	02SEP03	JR MS



- 1 SEE TABLE FOR STAMPING
- 2 WIRE INSUL. DIA 3.18-5.84 [.150-.230]
- 3 TONGUE MATL THK, 1.02±0.05 [.040±.002]
- 4 MATERIAL: BODY - SEE TABLE  
SLEEVE - NI SIL PER ASTM B122
- 5 MAX RECOMMENDED OPERATING TEMP  
649°C [1200°F]
- 6 CIRCULAR MIL AREA 2.62mm<sup>2</sup>-6.64mm<sup>2</sup>  
[5180-13100] STARND ED WIRE

OBSOLETE	AMP 12 10CH	CHROMEL	GRAY	500	LOOSE PIECE	2-323749-1
	AMP 12-10	NICKEL PER ASTM B162	ORANGE	500	LOOSE PIECE	323749
	STAMPING	BODY MATERIAL	SLV COLOR	QTY	PACKAGE TYPE	PART NO

THIS DRAWING IS A CONTROLLED DOCUMENT.

DIMENSIONS: MM [INCHES]	TOLERANCES UNLESS OTHERWISE SPECIFIED:	DWN L OLMEDA 100CT94	Tyco Electronics Corporation Harrisburg, PA 17105
	0 PLC ± -	CHK M ELLIS 100CT94	
	1 PLC ± -	APVD S BORTNER 100CT94	
	2 PLC ± 0.20 [.008]	PRODUCT SPEC	
	3 PLC ± -	APPLICATION SPEC	NAME
	4 PLC ± -	WEIGHT	TERMINAL, RING TONGUE, STRATO-THERM, DIAMOND GRIP, WIRE SIZE: 12-10 AWG
	ANGLES ± -	CUSTOMER DRAWING	SIZE A3 CAGE CODE 00779 DRAWING NO C-323749 RESTRICTED TO -
MATERIAL -	FINISH SEE TABLE	SCALE 4:1	SHEET 1 OF 1 REV R