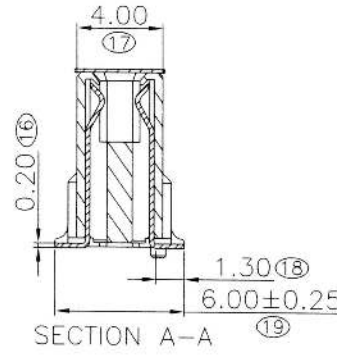
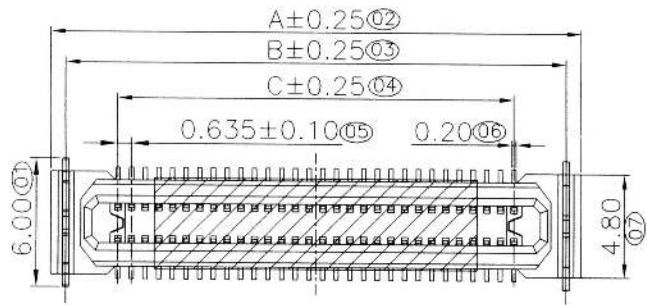
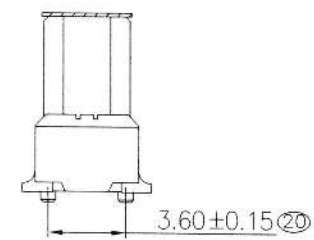
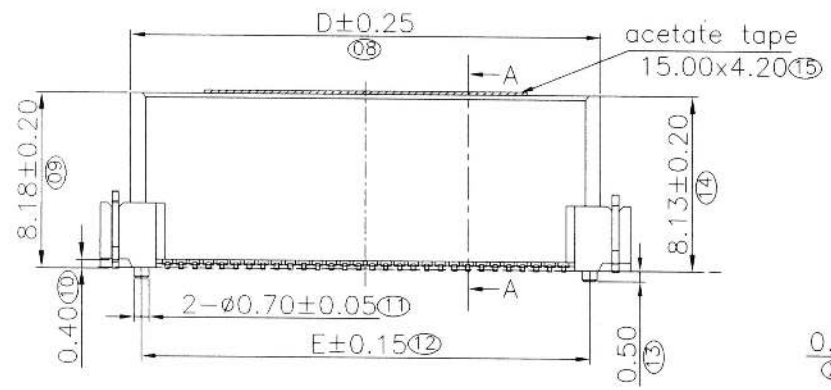


| REV. | LOCAS. | DESCRIPTION | DATE | DRAWN |
|------|--------|-----------------------------------|------------|-------|
| 01 | NEW | BATCH PRODUCTION INITIAL RELEASE. | 2022.07.12 | 王文睿 |

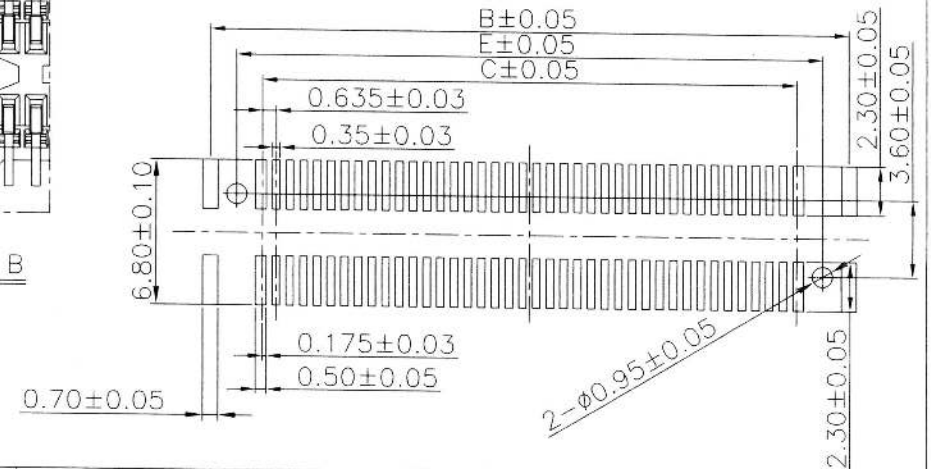
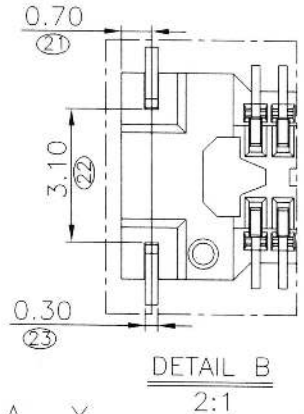


Specifications
 Current Rating: 0.5Amp
 Insulation Resistance: 500MΩMin.
 Dielectric Withstanding Voltage: 200VAC
 Contact Resistance: 100mΩMax.
 Operating Temperature: -40°C to +105°C
 Materials
 Contact Material: Phosphor Bronze
 Insulator Material: High Temperature Thermoplastic, UL 94V-0 LCP or the equivalent material
 All materials must meet GREENCONN hazardous substances control standards.

| No. of PIN/ROW | Dimension Information | | | | |
|----------------|-----------------------|-------|-------|-------|-------|
| | A | B | C | D | E |
| 2x30 | 24.65 | 23.25 | 18.42 | 21.85 | 20.80 |
| 2x40 | 31.00 | 29.60 | 24.77 | 28.20 | 27.15 |



Recommended P.C.Board Layout
 (Tolerance: ±0.05)



Ordering Information

C GZC202 - XX XX B 001 C 1 A X
 No. Of Pins Per Row 30,40 Standard Plating 02=Gold Flash 09=3u"AU/Gold Flash Color 1=Black Standard Packing H=Acetate tape +Tape&Reel

| | | | | | | |
|---|---------------------------------|--|-----------------|----------------------|----------|--|
| Website: www.greenconn.com E-mail: sales@greenconn.com | 3RD.ANG PROJ. | GENERAL TOLERANCE | DESIGNED: 王文睿 | DATE: 2022.07.12 | DWG. NO. | TITLE. 0.635mm PITCH BTB FLOATING CONNECTOR |
| | PAGE. 1/1 | $X: \pm 5.0'$ $X: \pm 0.30$ $.X: \pm 3.0'$ $.X: \pm 0.25$ $.XX: \pm 2.0'$ $.XX: \pm 0.15$ $.XXX: \pm 1.0'$ $.XXX: \pm 0.10$ | CHECKED: 黄超 | DATE: 2022.7.13 | PART NO. | |
| | REV. 01 UNIT. mm SCALE. 3:1 | APPROVED: 林林 | DATE: 2022.7.13 | CGZC202-XXXXB001C1AX | | |