

# SPECIFICATIONS

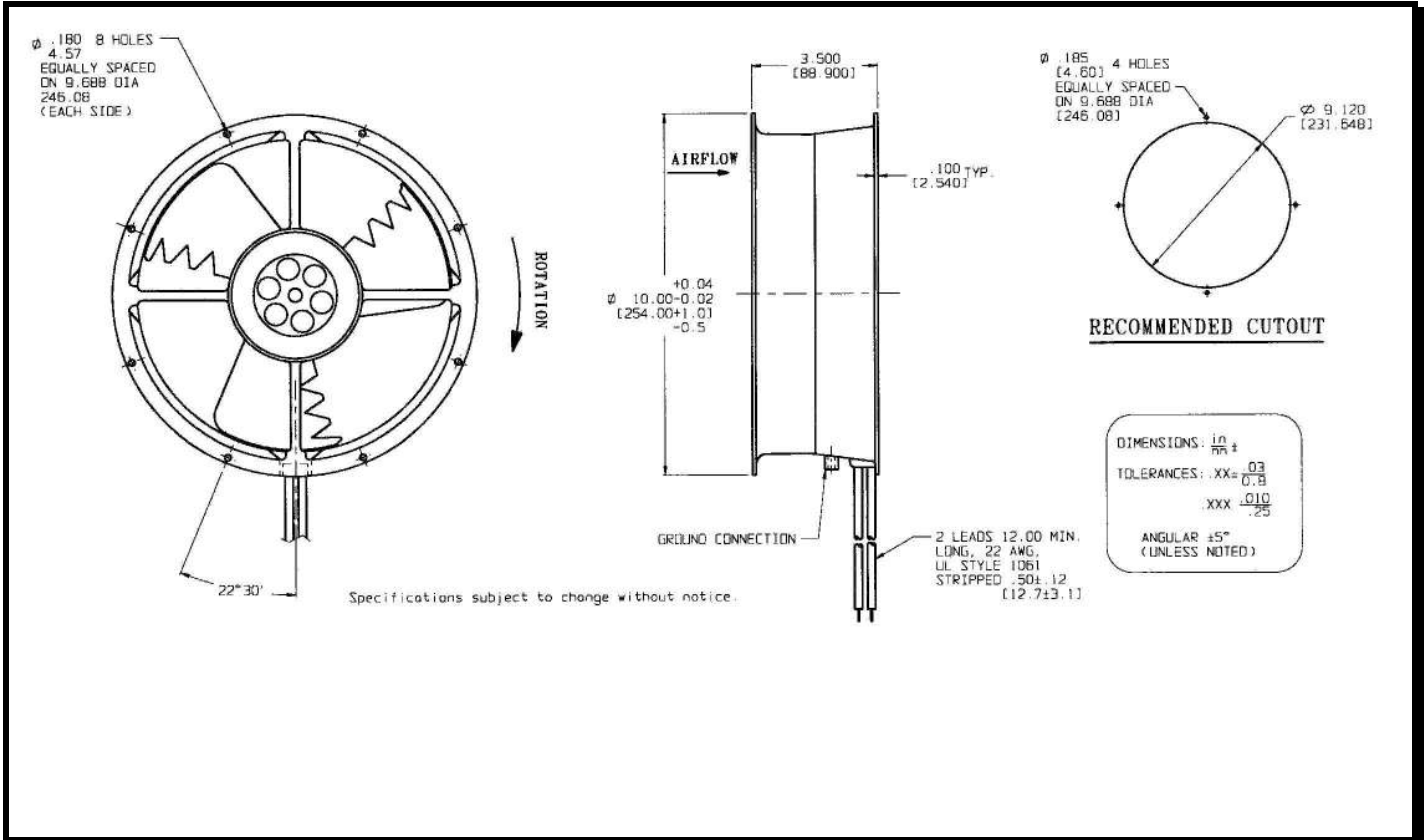
Preliminary Data



Model Number: CD24R7X  
Part Number: 040396

August 15, 2005

## Mechanical Drawing:



### Motor:

Nominal Voltage = 24 vdc  
Operating Voltage Range = 12 - 28 vdc  
Nominal Running Current = 1.200 amps  
Locked Rotor Current = 3.000 amps  
Running Power = 29.0 watts  
Average Speed = 1650 rpm  
Bearings = Ball  
Air Flow = 550 cfm  
Acoustic = 47.5 dBA

### Construction:

Venturi: Die-Cast Aluminum, Black  
Propeller: Polycarbonate, Black, UL 94V-0

### Life Expectancy:

This fan is designed for continuous duty life of 60,000 hours at 40°C.

### Agency Approvals:

UL, CSA, TUV

### Additional Features:

Brushless DC Motor  
Locked Rotor Protection  
Polarity Protected  
Automatic Restart Capability  
Operating Temperature: -10°C to 70°C  
Storage Temperature: -40°C to 85°C  
Programmable

### Tachometer:

Output: Open Collector  
I<sub>c</sub>: 20 mA Max.  
V<sub>cc</sub>: 28 Vdc Max  
Pulses Per Revolution: 2  
Isolated: No

### Termination:

12" Lead wires, 22 AWG, UL 1061  
Red - Power  
Black - Return  
Blue/White - Tachometer  
Yellow - Program