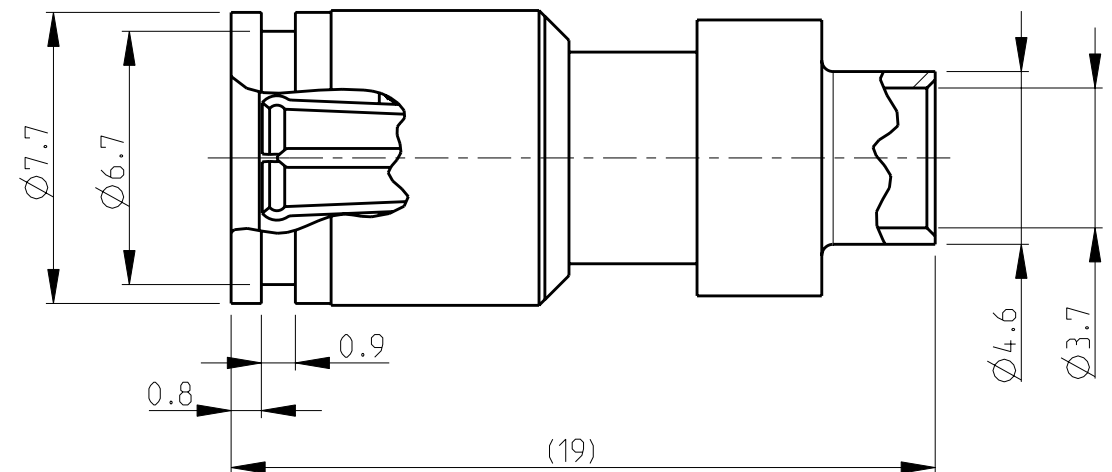


THIS DRAWING IS UNPUBLISHED. RELEASED FOR PUBLICATION 2000
 © COPYRIGHT 2000 BY TYCO ELECTRONICS CORPORATION. ALL RIGHTS RESERVED.

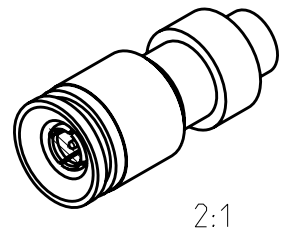
LOC	DIST	REVISIONS			
P	LTR	DESCRIPTION	DATE	DWN	APVD
IS	-	A3	Released to Production	02AUG2007	MG DB

- 1) Dimensions of mating face according to IEC 169-29 and CECC 22230
- 2) DIN ISO 8015; DIN ISO 2768-m-H
- 3) Bulk Packaging
- 4) Coupling mechanism: 60Nmin retention force



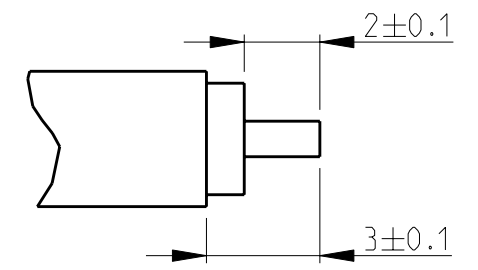
Cross reference table

Part number	Cable type	Description	Material	Plating	Packaging
1274710-1	RG 402	Body	Brass	2 µm Ni min	3
		Dielectric	PTFE	-	
		Center Conductor	BeCu/Brass	0.1µm Au min over min 2µm NiP	



2:1

Cable preparation for cable RG 402



<small>THIS DRAWING IS A CONTROLLED DOCUMENT FOR TYCO ELECTRONICS CORPORATION. IT IS SUBJECT TO CHANGE AND THE CONTROLLING ENGINEERING ORGANIZATION SHOULD BE CONTACTED FOR THE LATEST REVISION.</small>		DWN M.Grazioli 18JUN2007 CHK D.Bozzer 18JUN2007 APVD -	Tyco Electronics Tyco Electronics Lugano - Switzerland
DIMENSIONS: mm 	TOLERANCES UNLESS OTHERWISE SPECIFIED: 0 PLC ± 1 PLC ± 2 PLC ± 3 PLC ± 4 PLC ± ANGLES ±	PRODUCT SPEC 108-71032 APPLICATION SPEC 114-90009 WEIGHT -	NAME 1.0/2.3 plug Snap-Lock; Zo=50 Ohm for cable RG402
MATERIAL -	FINISH -	SIZE A3 CAGE CODE 00779 DRAWING NO. 1274710	RESTRICTED TO -
CUSTOMER DRAWING		SCALE 5/1	SHEET 1 OF 1 REV A3