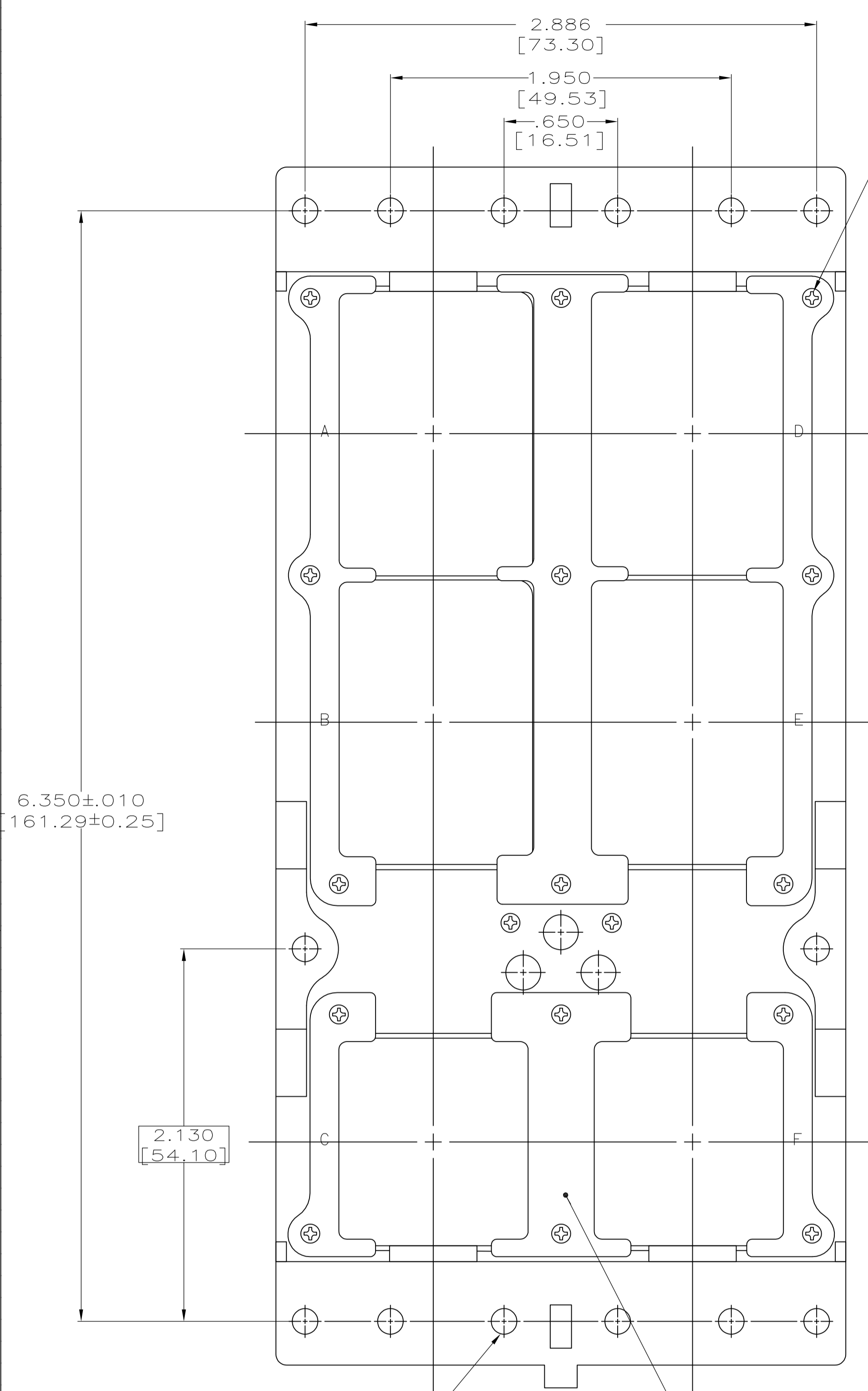
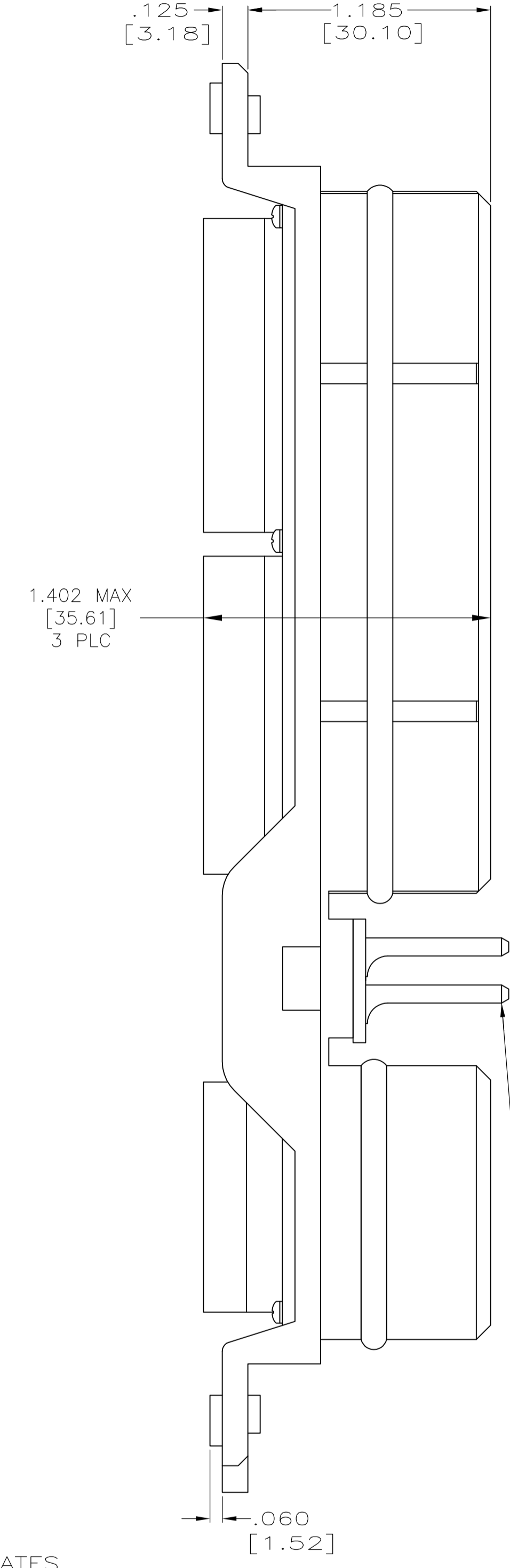


| REVISIONS |             |             |         |     |      |
|-----------|-------------|-------------|---------|-----|------|
| P         | LTR         | DESCRIPTION | DATE    | DMN | APVD |
| H         | REV PER ECO | 17-011629   | 8-17-17 | CT  | RL   |



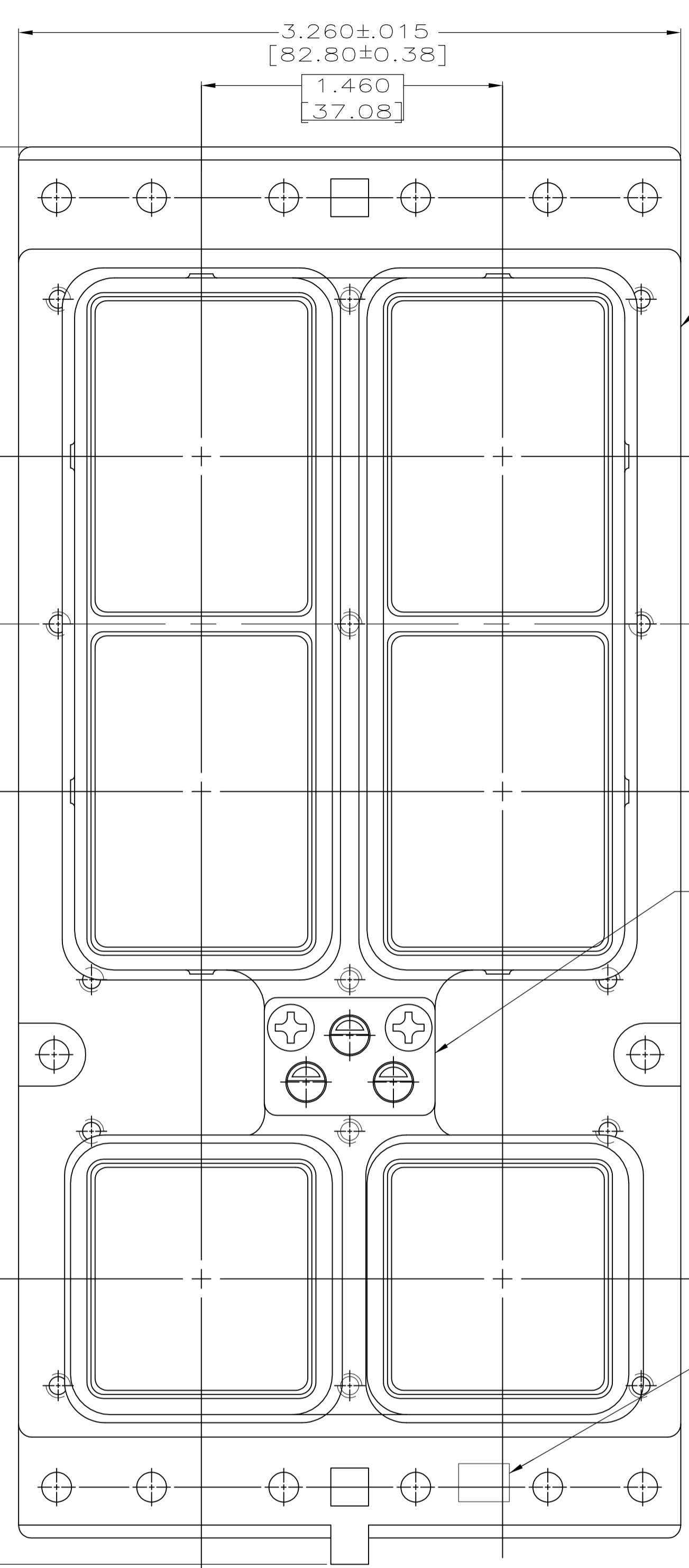
#4-40 SCREW & LOCKWASHER  
 MAT'L: STAINLESS STEEL  
 15 PLACES



POLARIZING POST  
 MAT'L: ZINC ALLOY PER ASTM B 86  
 FINISH: ELECTROLESS NICKEL PER MIL-C-26074

6.980±.015  
 [177.29±0.38]

3.225  
 [81.92]



SHELL,  
 MAT'L: ALUMINUM ALLOY PER  
 ASTM-B-85  
 FINISH: CHEMICAL CONVERSION  
 PER MIL-C-5541, CLASS 1A

RETAINER PLATE  
 MAT'L: ALUMINUM ALLOY PER AMS-QQ-A-250  
 FINISH: BLUE ANODIZED PER MIL-A-8625

DATE CODE MARKED  
 IN THIS AREA

Ø .148±.003  
 [3.76±0.08]  
 14 PLC

INSERT RETENTION PLATES  
 MATERIAL: ALUMINUM ALLOY  
 FINISH: CHEMICAL CONVERSION  
 PER MIL-C-5541 CLASS 1A

- CONTACTS ARE INCLUDED IN A CONTAINER WITHIN THE CONNECTOR PACKAGE WHEN CONNECTOR IS ORDERED WITH CONTACTS.
- COAX CONTACTS NOT SUPPLIED IN KIT. MUST BE ORDERED SEPARATELY.
- POLARIZING KEYS SHOWN IN POSITION 01 FOR ILLUSTRATION ONLY. CONNECTORS SHIPPED WITH KEYING PER ORDERING INSTRUCTIONS.

|               |                    |                |
|---------------|--------------------|----------------|
| -             | -                  | 1-208977-0     |
| -             | -                  | 208977-9       |
| -             | -                  | 208977-8       |
| BACC66K34C01  | NIC66K34C01AA1     | 208977-7       |
| -             | -                  | 208977-6       |
| NOT RELEASED  | BACC66K31C01       | NIC66K31C01AA1 |
| -             | BACC66K33C01       | NIC66K33C01AA1 |
| -             | -                  | 208977-5       |
| -             | -                  | 208977-4       |
| -             | -                  | 208977-3       |
| -             | -                  | 208977-2       |
| -             | -                  | 208977-1       |
| BOEING NUMBER | DESCRIPTIVE NUMBER | PART NUMBER    |

THIS DRAWING IS A CONTROLLED DOCUMENT. **TE Connectivity**

|  |  |  |  |
|--|--|--|--|
| DIMENSIONS:<br>INCHES<br>TOLERANCES UNLESS OTHERWISE SPECIFIED:<br>0 PLC ± -<br>1 PLC ± -<br>2 PLC ± -<br>3 PLC ± .005 [0.13]<br>4 PLC ± -<br>ANGLES ± - | DIMENSIONS:<br>INCHES<br>TOLERANCES UNLESS OTHERWISE SPECIFIED:<br>0 PLC ± -<br>1 PLC ± -<br>2 PLC ± -<br>3 PLC ± .005 [0.13]<br>4 PLC ± -<br>ANGLES ± - | DIMENSIONS:<br>INCHES<br>TOLERANCES UNLESS OTHERWISE SPECIFIED:<br>0 PLC ± -<br>1 PLC ± -<br>2 PLC ± -<br>3 PLC ± .005 [0.13]<br>4 PLC ± -<br>ANGLES ± - | DIMENSIONS:<br>INCHES<br>TOLERANCES UNLESS OTHERWISE SPECIFIED:<br>0 PLC ± -<br>1 PLC ± -<br>2 PLC ± -<br>3 PLC ± .005 [0.13]<br>4 PLC ± -<br>ANGLES ± - |
|--|--|--|--|

MATERIAL: SEE CALLOUTS  
 FINISH: SEE CALLOUTS  
 WEIGHT: 0.000000  
 CUSTOMER DRAWING

APPROVED: S. GLATFELTER  
 DATE: 2-17-99  
 NAME: S. GLATFELTER  
 PRODUCT SPEC: PLUG ASSY, SIZE 3, CLASS B SEALED, ARINC 600  
 APPLICATION SPEC: -  
 SIZE: A1  
 CAGE CODE: 00779  
 DRAWING NO: 208977  
 SCALE: 2:1  
 SHEET: 1 OF 1  
 REV: H