

AFCI CONFIDENTIAL

Amphenol FCI

This document is the property of and embodies CONFIDENTIAL and PROPRIETARY information of AFCI. No part of the information shown on this document may be used in any way or disclosed to others without the written consent of AFCI.

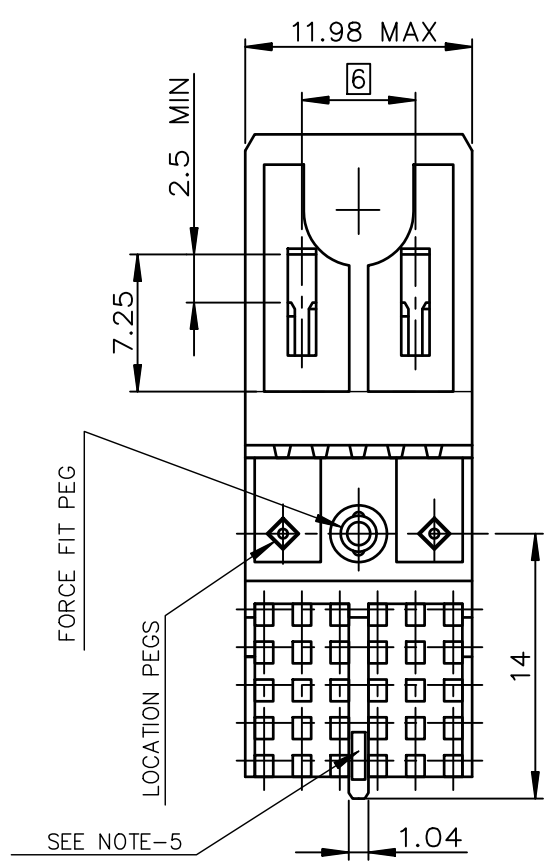
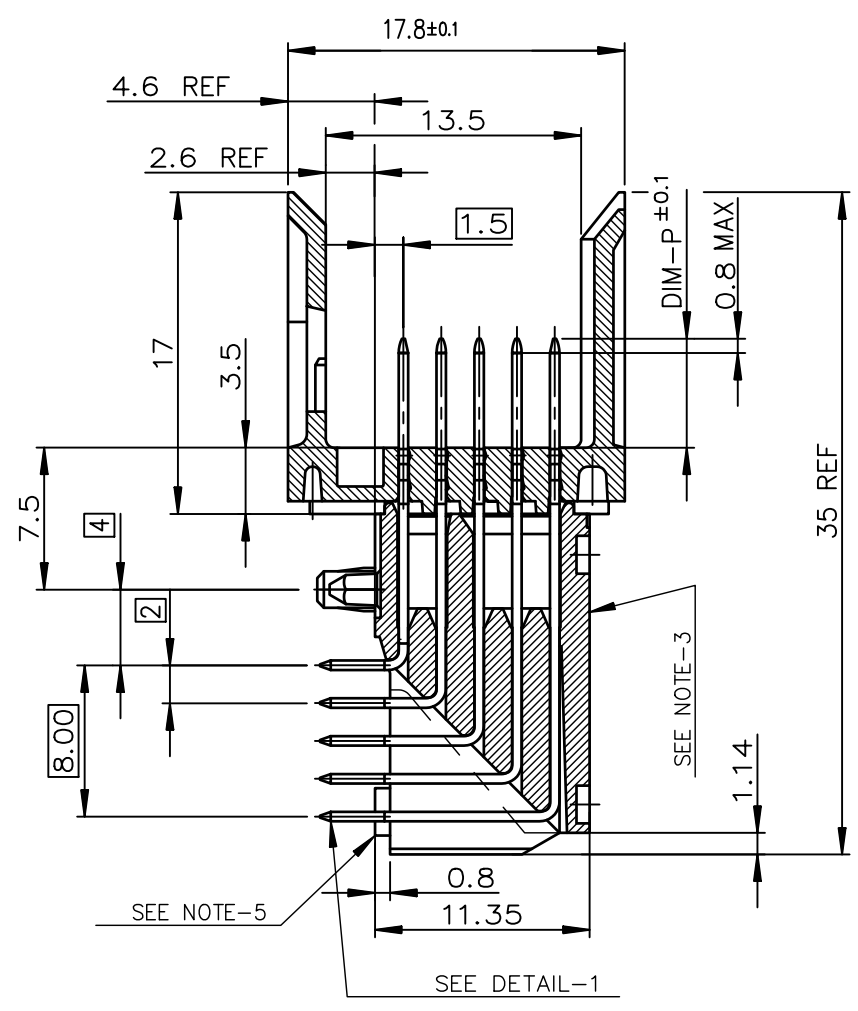


TABLE 1

PART NO : HM1L51xDP000HYPLF					
MATING LENGTH DIM-P / REPLACE 'x' BY:					
	ROW-A	ROW-B	ROW-C	ROW-D	ROW-E
A =	5.00	5.00	5.00	5.00	5.00
L =	5.75	5.75	5.75	5.75	5.75
D =	6.50	6.50	6.50	6.50	6.50
B =	6.50	5.00	5.00	5.00	5.00
C =	6.50	5.75	5.75	6.50	5.75
N =	8.00	8.00	8.00	8.00	8.00
E =	5.00	5.00	5.75	5.00	5.00
J =	SEE TABLE 2				

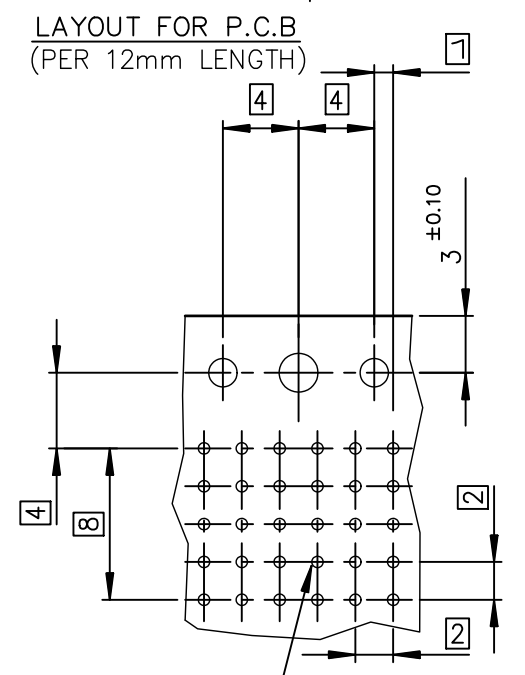
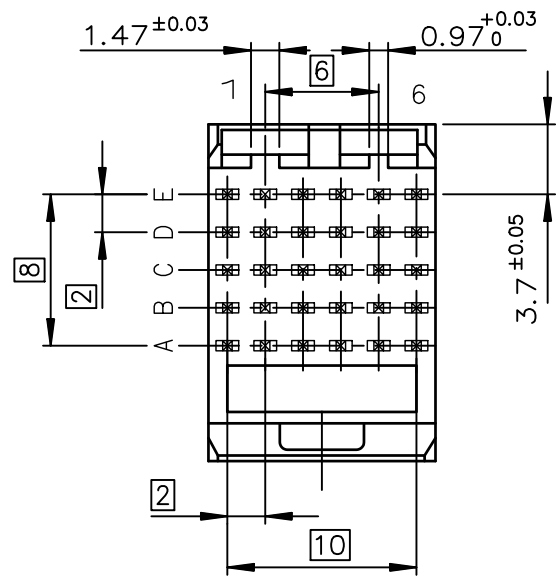
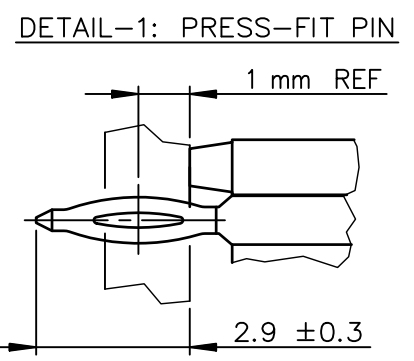
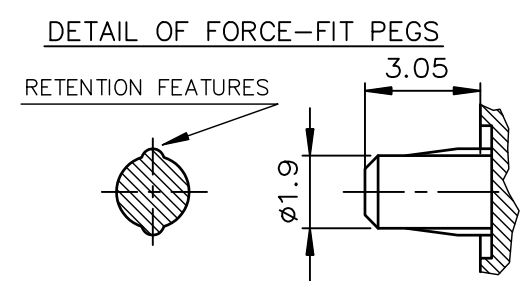
TABLE 2

PART NO : HM1L51JDP601HYPLF						
MATING LENGTH DIM-P / REPLACE 'J' BY:						
	ROW-E	ROW-D	ROW-C	ROW-B	ROW-A	
ROW-E	5.00	5.00	5.00	5.00	8.00	5.00
ROW-D	5.00	5.00	5.00	5.00	8.00	5.00
ROW-C	5.00	5.00	5.00	5.00	8.00	5.00
ROW-B	5.00	5.00	5.00	5.00	8.00	5.00
ROW-A	5.00	5.00	5.00	5.00	8.00	5.00
	COLUMN-1	COLUMN-2	COLUMN-3	COLUMN-4	COLUMN-5	COLUMN-6

PART NUMBER :HM1L51xDP000HYPLF

GENERAL CHARACTERISTICS AND ROHS INFORMATIONS:
SEE PRODUCT SPECIFICATION GS-12-445

- NOTE :
- MATERIAL : BODY : LCP UL94-V0
CONTACT : COPPER ALLOY.
 - FOR PLATING PERFORMANCE REFER DRAWING # 101594.09
 - FLAT ROCK INSERTION TOOLING, ON ALL THIS SURFACE
 - IF SUFFIX "P" IS ADDED IN P/N PACKAGING IS IN TRAYS BUT CONNECTOR MARKING IS WITHOUT "P"
EXAMPLE : HM1xxxxxxxxHXP, MARKED HM1xxxxxxxxHX
 - REAR CENTRAL SUPPORT FOR BETTER ASSY ON PCB
 - A Δ SYMBOL WILL BE NEXT TO ANY DIMENSION, VIEW, OR NOTE WHICH HAS BEEN MODIFIED WITH THE CURRENT DRAWING REVISION.
 - THIS PRODUCT MEETS EUROPEAN UNION DIRECTIVES AND OTHER COUNTRY REGULATIONS AS DESCRIBED IN GS-47-0004.



Hole according to product spec
GS-12-445 (for press-fit) ,
GS-12-446 (for STB)

mat'l. code		surface 58		tolerance		projection		product family	
-		ISO 1302		ISO 406 ISO 1101		Δ		METRAL	
ltr		ecn no		dr		date		title	
E		LS05-004		MLE		2005-02-17		METRAL RA HEADER 5 ROW	
F		LS06-0095		LGO		2006-07-10		STANDARD PRESS-FIT 30 WAY	
G		LS07-0184		MLE		2007-07-24		dwg no	
H		DG10-0231		Cenh		2010-06-18		sheet 1 of 1	
J		ELX-I-27568		SAL		2017-07-27		size 5	
K		ELX-I-38656		MINI		2020-09-14		A3	
								C-8626-0235	
								type Customer Drawing	
sheet index		revision		K					
		sheet		1					