

MATERIAL NUMBER	# OF COLUMNS	# OF DIFF PAIR	DIM "A" MAX SEE NOTE 10	DIM "B"
76450-11**	10	20	19.00	17.10
76450-12**	12	24	22.80	20.90
76450-16**	16	32	30.40	28.50

**76450 - \* \* \* \***

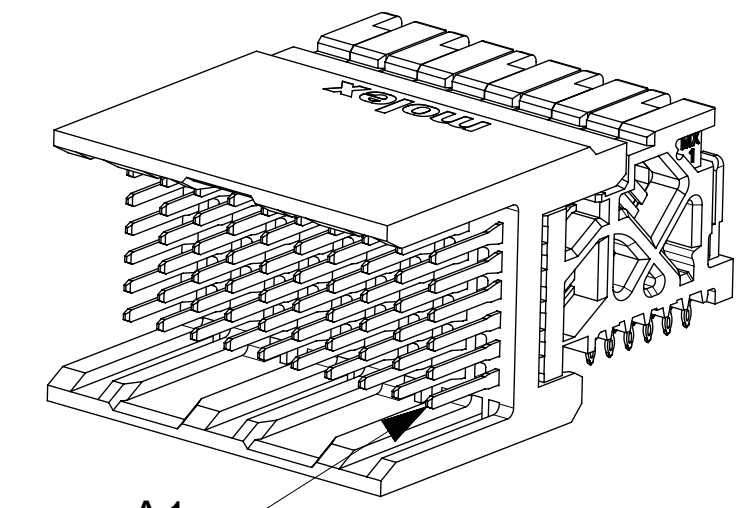
MODULE TYPE  
1= UNGUIDED, LEAD FREE

# OF COLUMNS  
1 - 10 COLUMNS  
2 - 12 COLUMNS  
6 - 16 COLUMNS

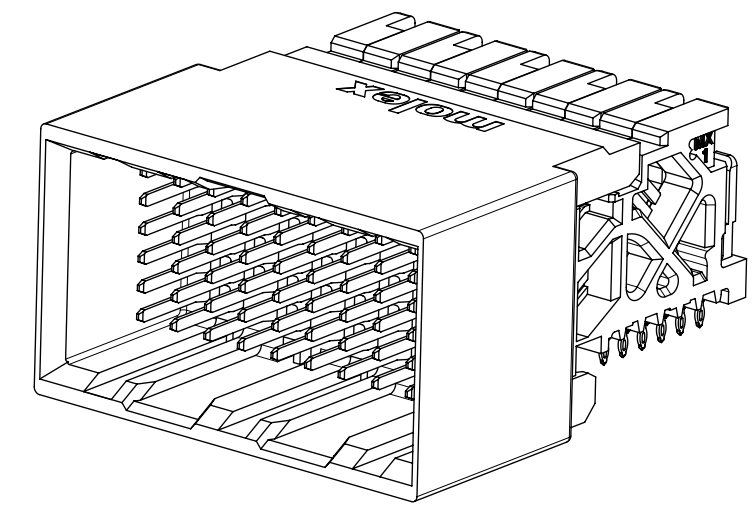
PIN LENGTH ("P")  
4 - 4.90MM (0.46 PTH)  
5 - 5.50MM (0.46 PTH)  
7 - 4.90MM (0.39 PTH)  
8 - 5.50MM (0.39 PTH)

ENDWALL OPTIONS  
0 - OPEN ENDS  
1 - LEFT ENDWALL  
2 - DUAL ENDWALL  
3 - RIGHT ENDWALL

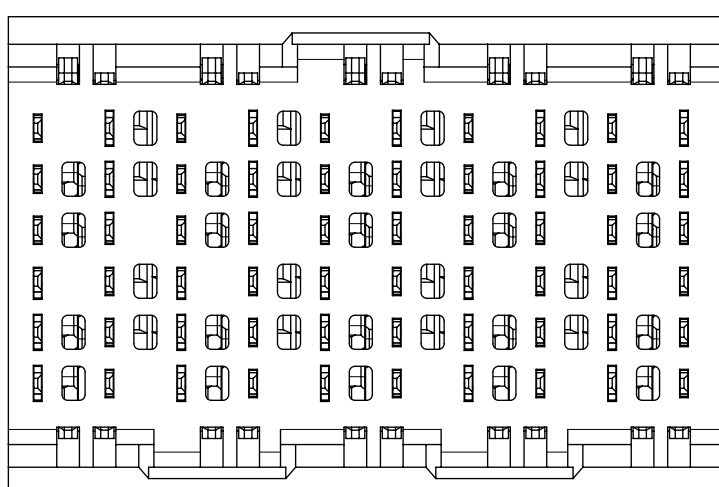
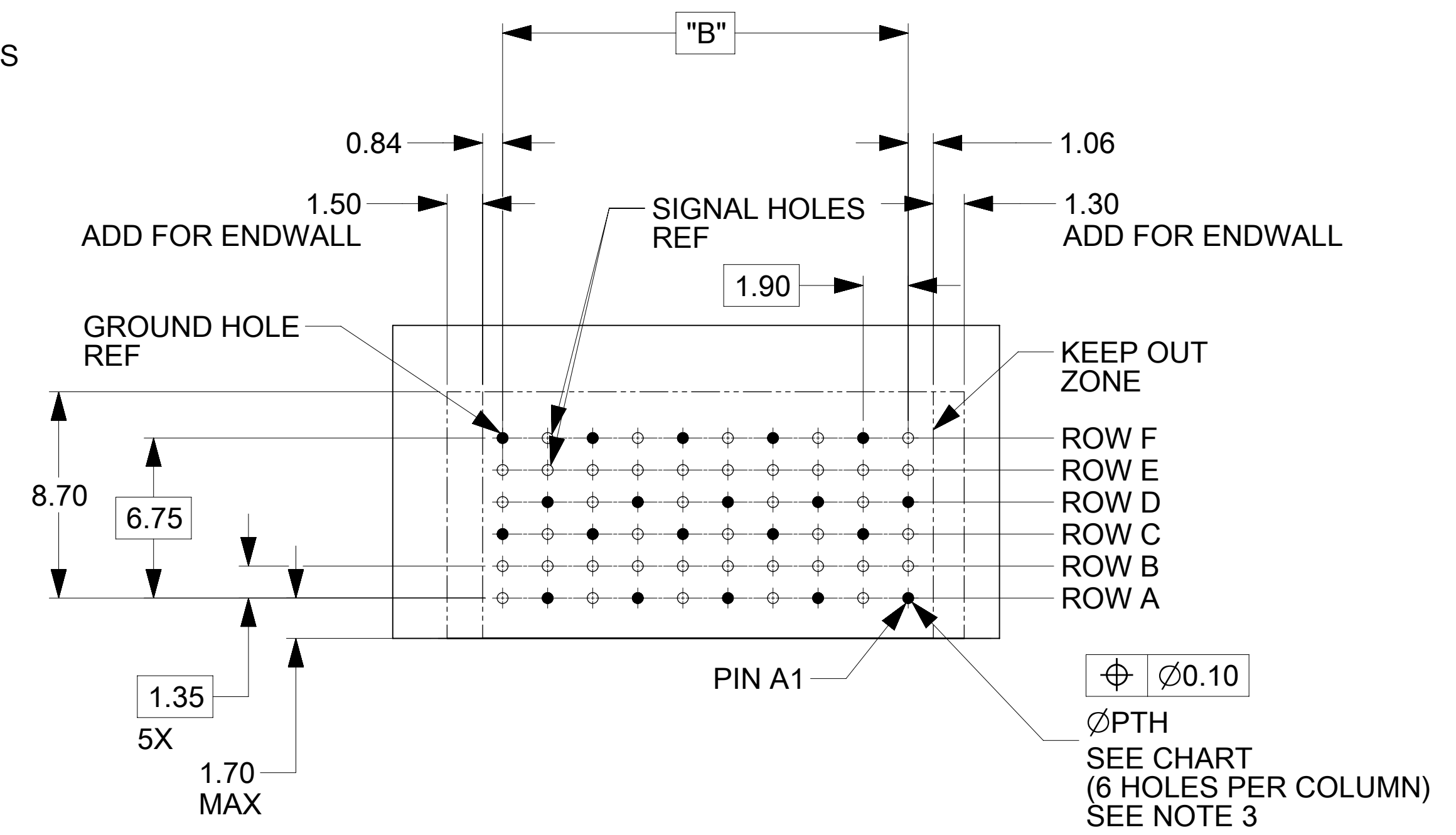
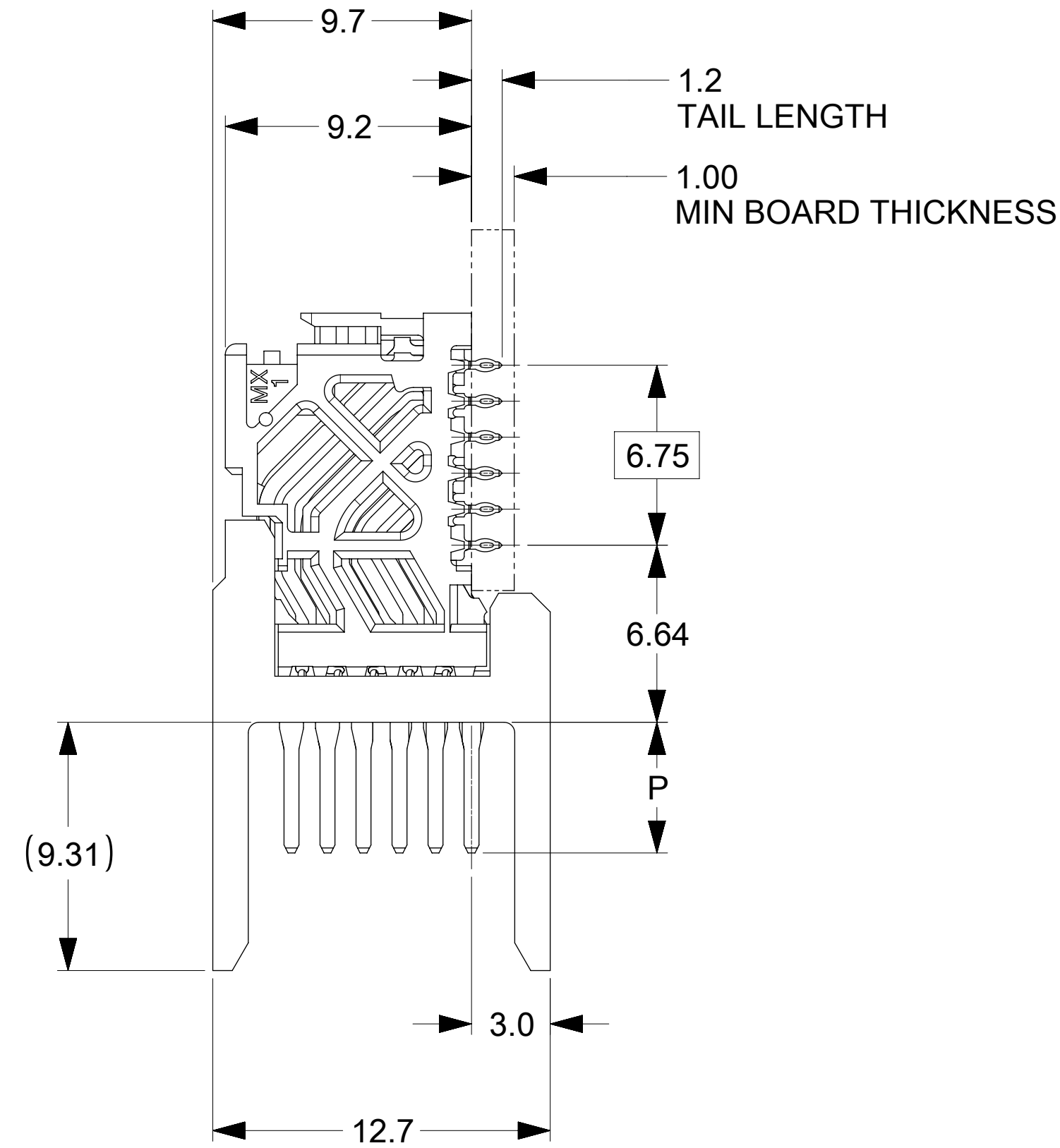
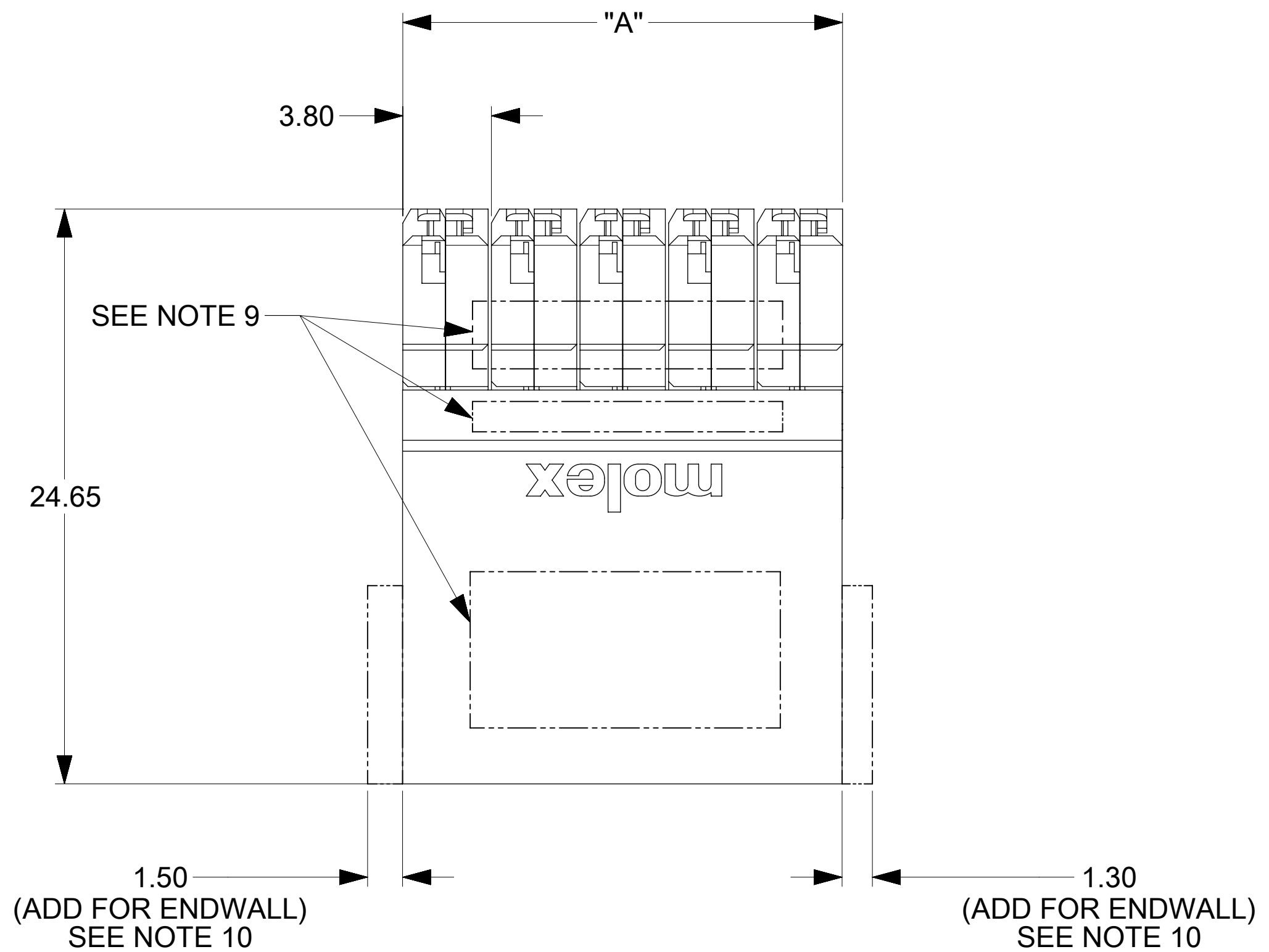
- NOTES:
- MATERIALS: HOUSING - LIQUID CRYSTAL POLYMER (LCP), GLASS-FILLED, UL94V-0  
TERMINALS - HIGH PERFORMANCE COPPER ALLOY
  - FINISH: 30µin SELECTIVE GOLD IN CONTACT AREA, SELECTIVE TIN ON PCB TAILS, NICKEL OVERALL.
  - FOR FURTHER INFORMATION SEE PRODUCT SPECIFICATION PS-76060-999..
  - EACH SIGNAL WAFER CONTAINS 2 COLUMNS OF TERMINALS.
  - PRODUCT TO BE PACKAGE PER PACKAGING SPECIFICATION PK-70873-077.
  - THIS PART CONFORMS TO CLASS B REQUIREMENTS OF COSMETIC SPEC PS-45499-002.
  - REFER TO MOLEX SALES DRAWING SD-76460-001 FOR MATING DAUGHTERCARDS.
  - REFER TO MOLEX PCB ROUTING GUIDE AS-76060-990 FOR ANTIPAD AND ROUTING RECOMMENDATIONS.
  - MARKING: LOCATED APPROXIMATELY AS SHOWN. PART NUMBER AND DATE CODE.
  - ADD 1.5mm FOR THE LEFT END WALL AND 1.3mm FOR THE RIGHT END WALL



A1  
OPEN ENDED OPTION



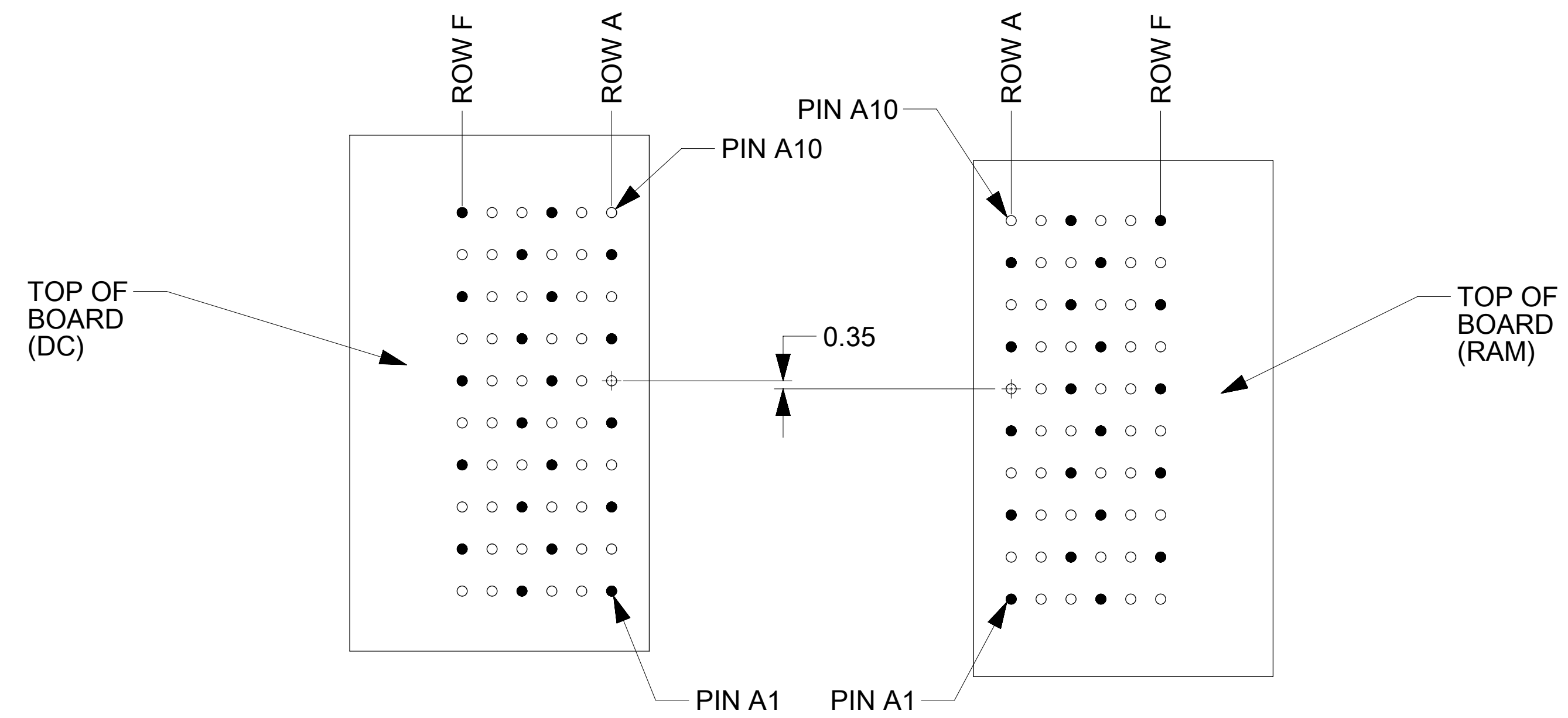
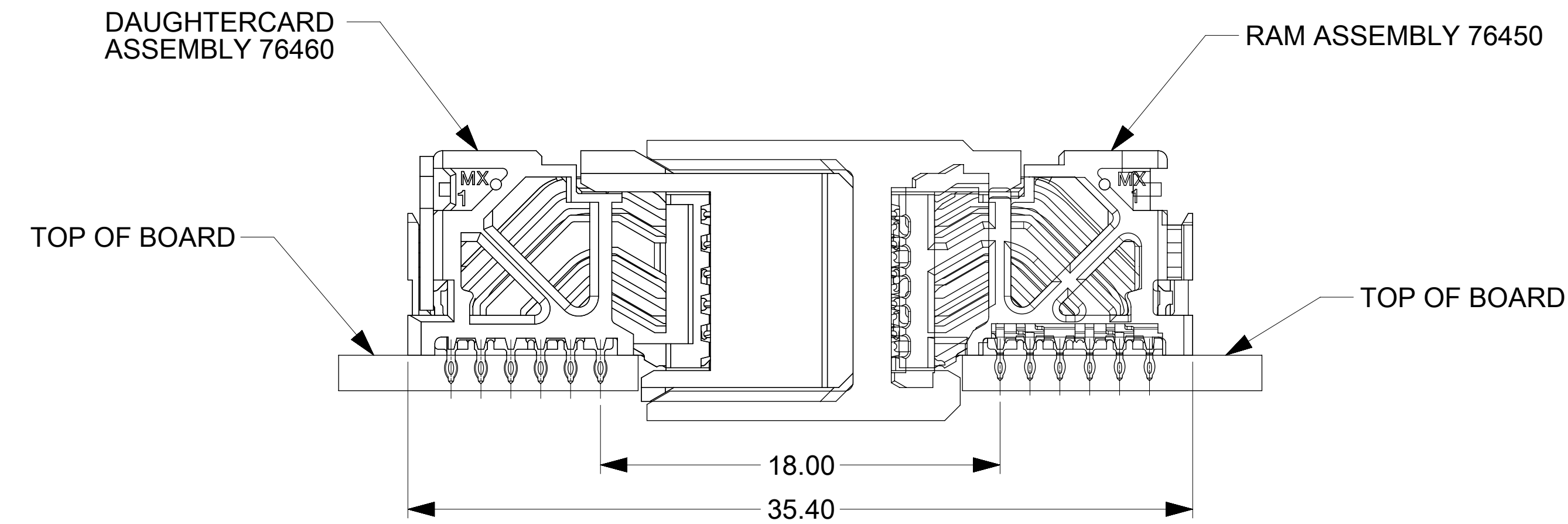
DUAL ENDWALL OPTION



THIS DRAWING CONTAINS INFORMATION THAT IS PROPRIETARY TO MOLEX ELECTRONIC TECHNOLOGIES, LLC AND SHOULD NOT BE USED WITHOUT WRITTEN PERMISSION

DIMENSION UNITS <b>mm</b>	SCALE <b>NTS</b>	CURRENT REV DESC: CORRECTED TYPO ERROR & ADDED NOTE 10	<b>molex</b>		
GENERAL TOLERANCES (UNLESS SPECIFIED)		EC NO: 635139			
ANGULAR TOL ± 0.5°	4 PLACES ±	DRWN: MMALLIGEVALU 2020/03/30	PRODUCT CUSTOMER DRAWING		
3 PLACES ±	2 PLACES ± 0.13	CHK'D: CWANG25 2020/04/01	DOCUMENT NUMBER	DOC TYPE	DOC PART
1 PLACE ± 0.25	0 PLACES ±	APPR: SHONG 2020/04/17	<b>SD-76450-001</b>	PSD	001
DRAFT WHERE APPLICABLE MUST REMAIN WITHIN DIMENSIONS		INITIAL REVISION: DRWN: MCARRANZA 2008/02/22 APPR: JLAURX 2009/04/17	REVISION		<b>C1</b>
THIRD ANGLE PROJECTION	DRAWING	SERIES	MATERIAL NUMBER	CUSTOMER	SHEET NUMBER
	<b>D-SIZE</b>	<b>76450</b>	SEE CHART	GENERAL MARKET	1 OF 2

# COPLANAR APPLICATION



THIS DRAWING CONTAINS INFORMATION THAT IS PROPRIETARY TO MOLEX ELECTRONIC TECHNOLOGIES, LLC AND SHOULD NOT BE USED WITHOUT WRITTEN PERMISSION									
DIMENSION UNITS <b>mm</b>		SCALE <b>NTS</b>		CURRENT REV DESC: CORRECTED TYPO ERROR & ADDED NOTE10				<b>molex</b>	
GENERAL TOLERANCES (UNLESS SPECIFIED)				EC NO: 635139					
ANGULAR TOL		± 0.5°		DRWN: MMALLIGEVALU		2020/03/30		PRODUCT CUSTOMER DRAWING	
4 PLACES		±		CHK'D: CWANG25		2020/04/01		DOCUMENT NUMBER	
3 PLACES		±		APPR: SHONG		2020/04/17		SD-76450-001	
2 PLACES		± 0.13		INITIAL REVISION:				DOC TYPE	
1 PLACE		± 0.25		DRWN: MCARRANZA		2008/02/22		PSD	
0 PLACES		±		APPR: JLAURX		2009/04/17		DOC PART	
DRAFT WHERE APPLICABLE MUST REMAIN WITHIN DIMENSIONS				THIRD ANGLE PROJECTION		DRAWING <b>D-SIZE</b>		REVISION	
				SERIES <b>76450</b>		MATERIAL NUMBER		C1	
						CUSTOMER		SHEET NUMBER	
						GENERAL MARKET		2 OF 2	