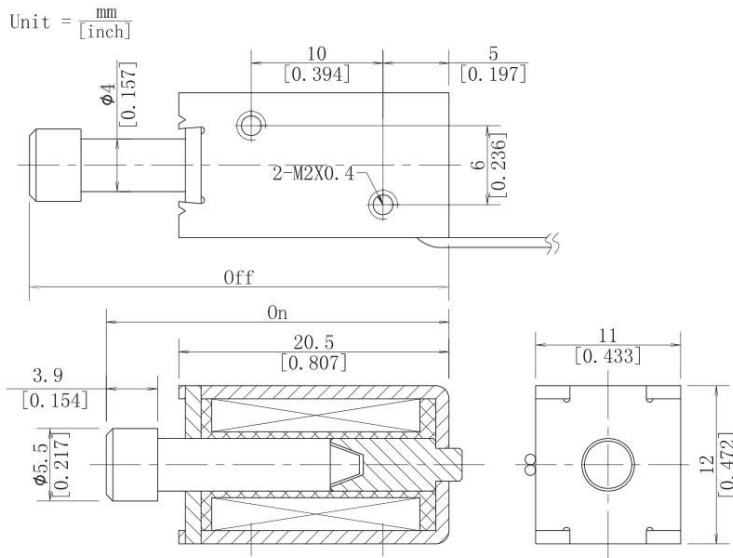
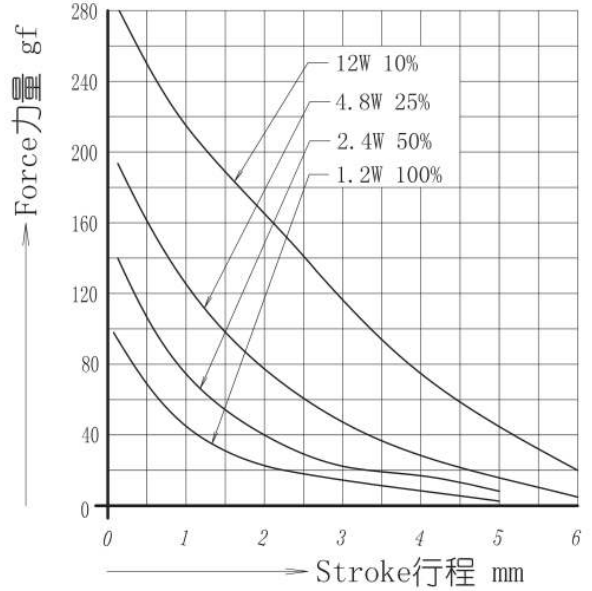


SMO - 0420L

Mechanical Drawing



Stroke / Force Curve



Stroke / Force Technical Data

Duty cycle (%) = $\frac{\text{"ON" time}}{\text{ON time} + \text{OFF time}} \times 100\%$	100%	50%	25%	10%
	Continuous	Intermittent		
MAX On time/S	∞	50	18	2
Power@20°C	1.2	2.4	4.8	12
Part Number(**: Series number)	DC Resistance($\Omega \cdot 20^\circ\text{C}$)			
SMO-0420L-06A**	30	15	7.5	3
SMO-0420L-12A**	120	60	30	12
SMO-0420L-24A**	--	240	120	48
SMO-0420L-48A**	--	--	--	192