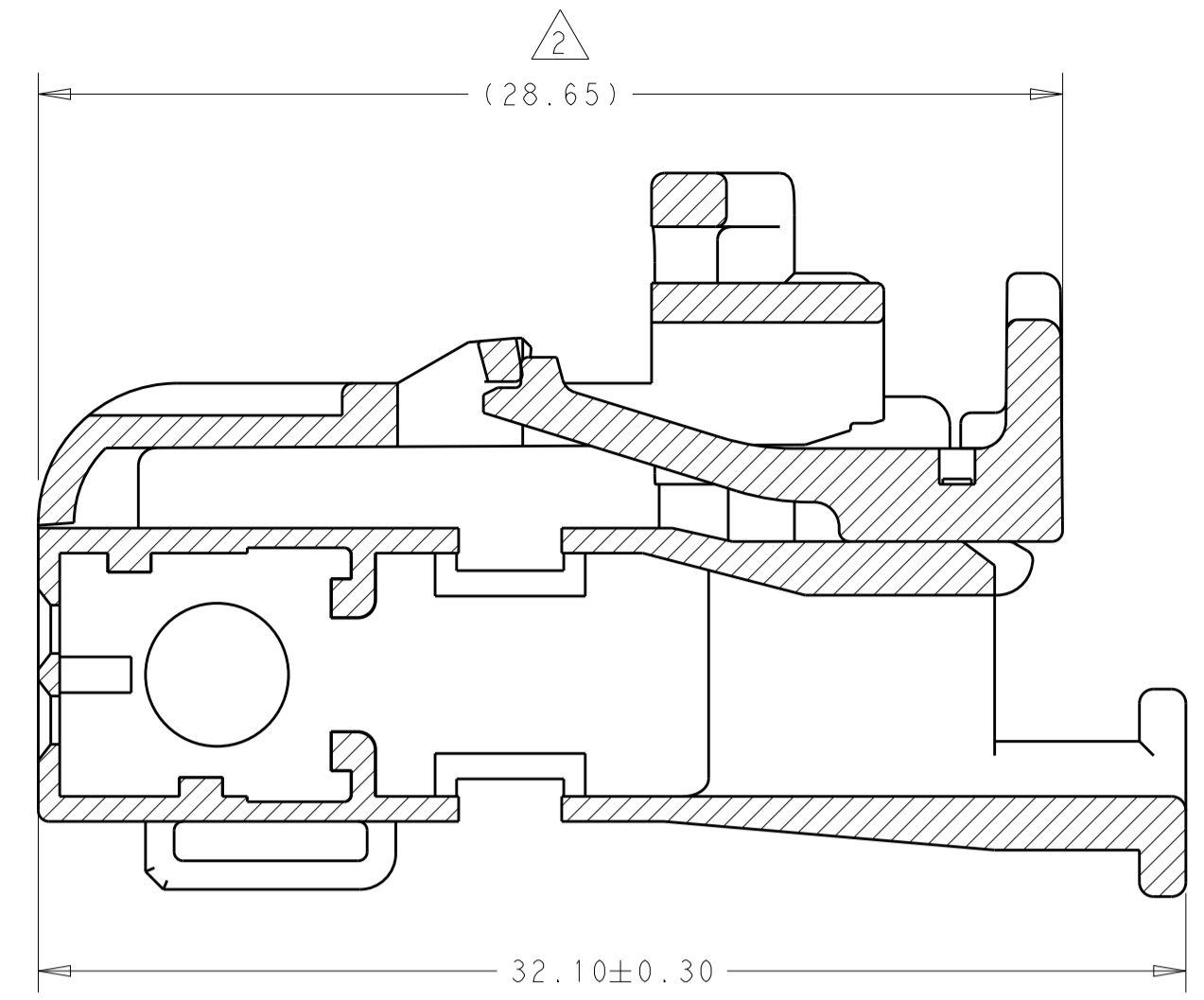
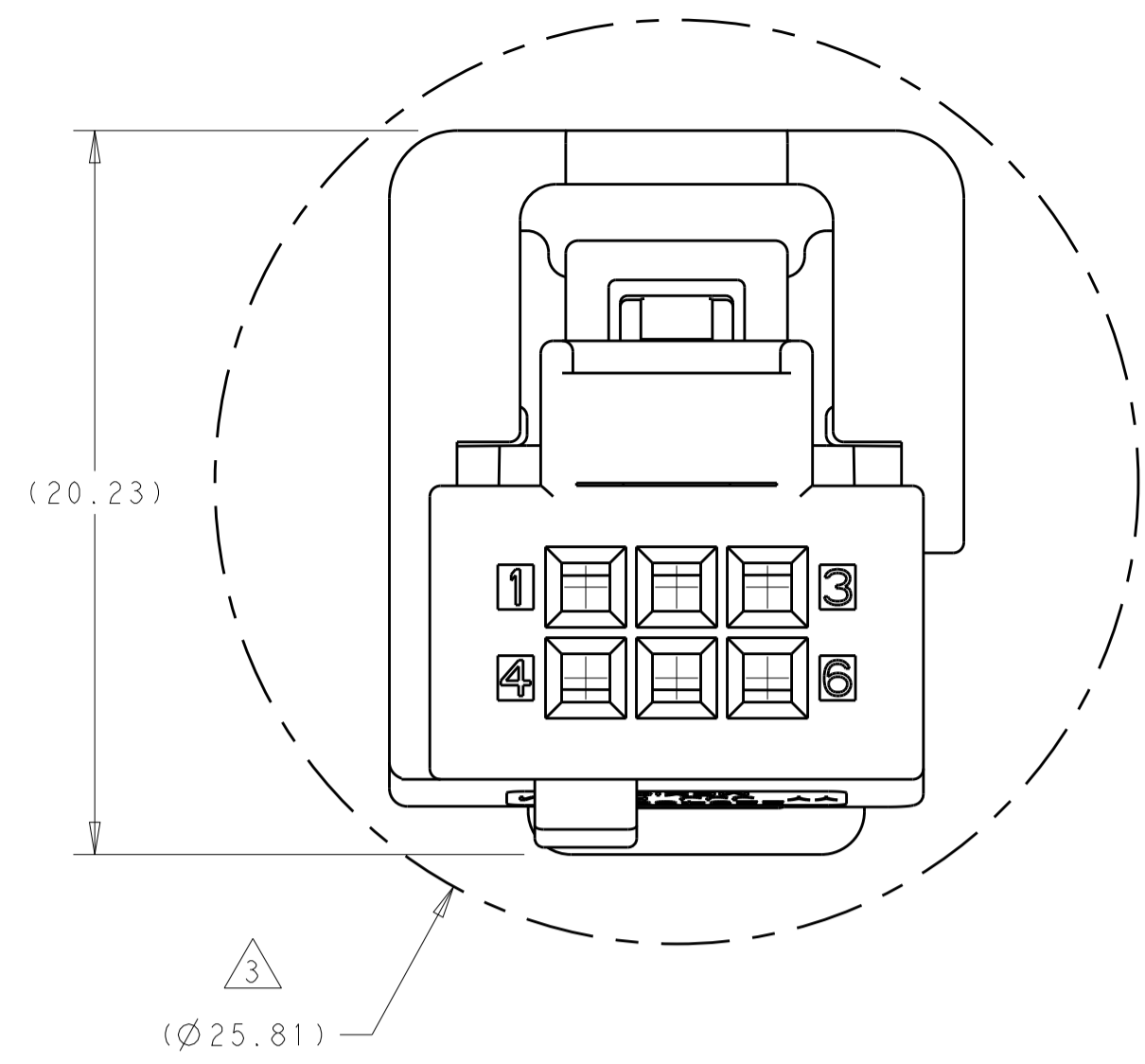
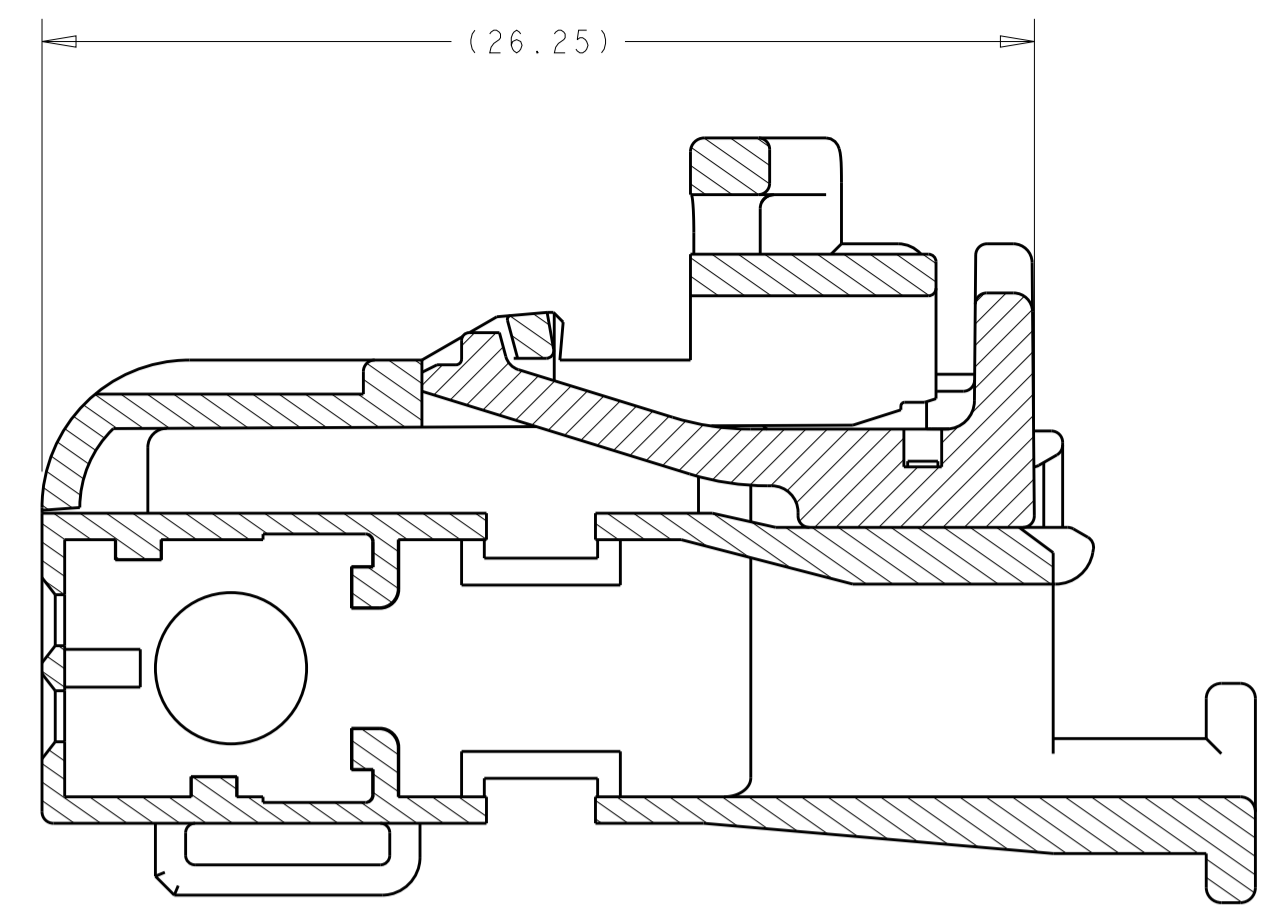


REVISIONS				
P	LTM	DESCRIPTION	DATE	APVD
5		PASS THRU GREW DUE TO OVERSTRESS BRIDGE	08FEB2018	MB AS
6		DRAWING UPDATED	10JAN2019	AK AS
7		DRAWING UPDATED	05APR2019	AK AS
A		RELEASE TO ACTIVE	29JUL2019	MK AS

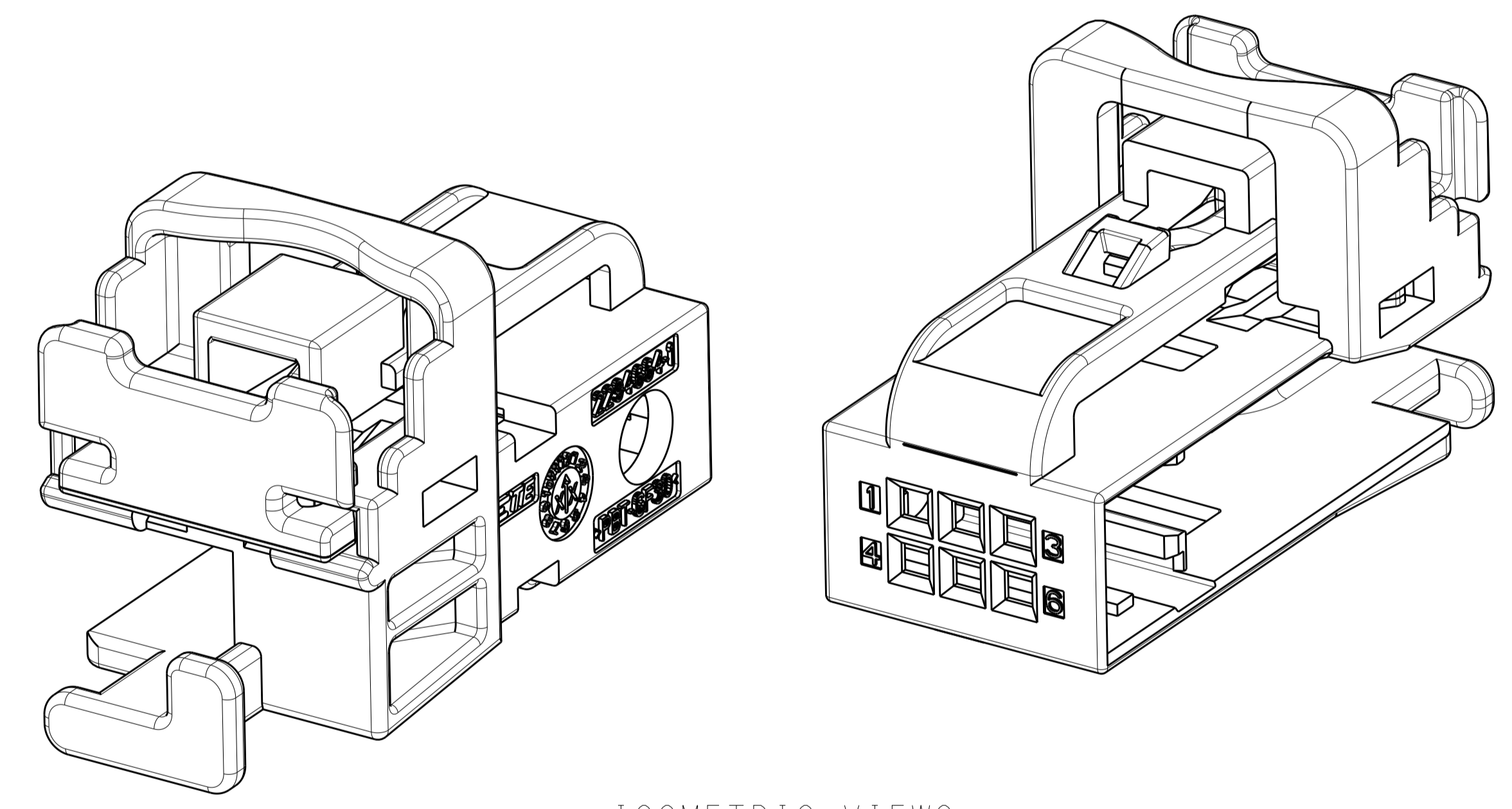
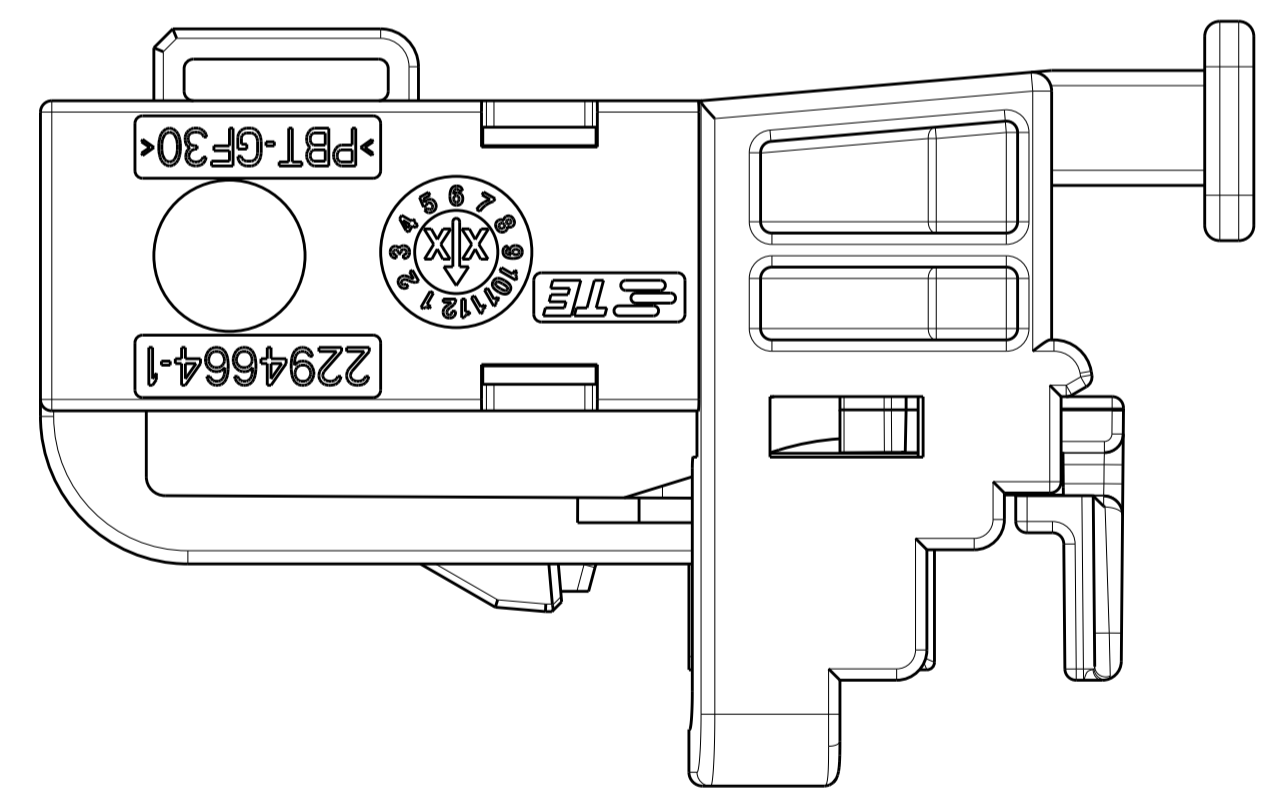
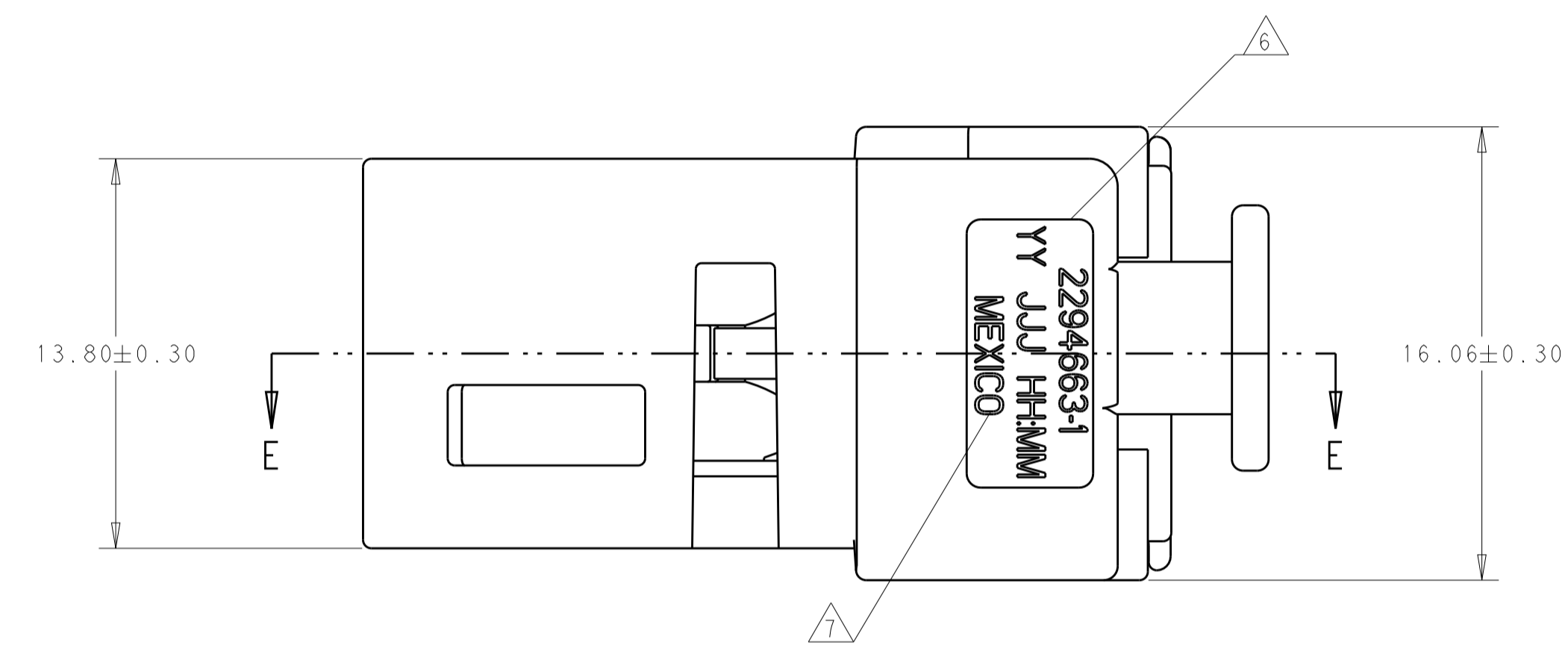


SECTION E-E  
CPA SHOWN IN PRE-LOCKED POSITION

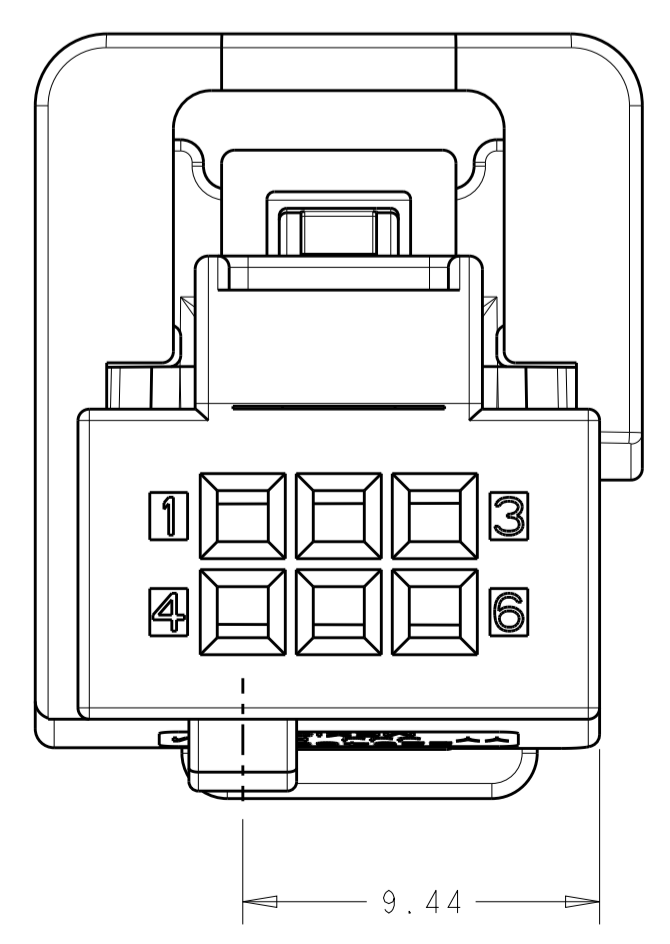


SECTION E-E  
CPA SHOWN IN LOCKED POSITION

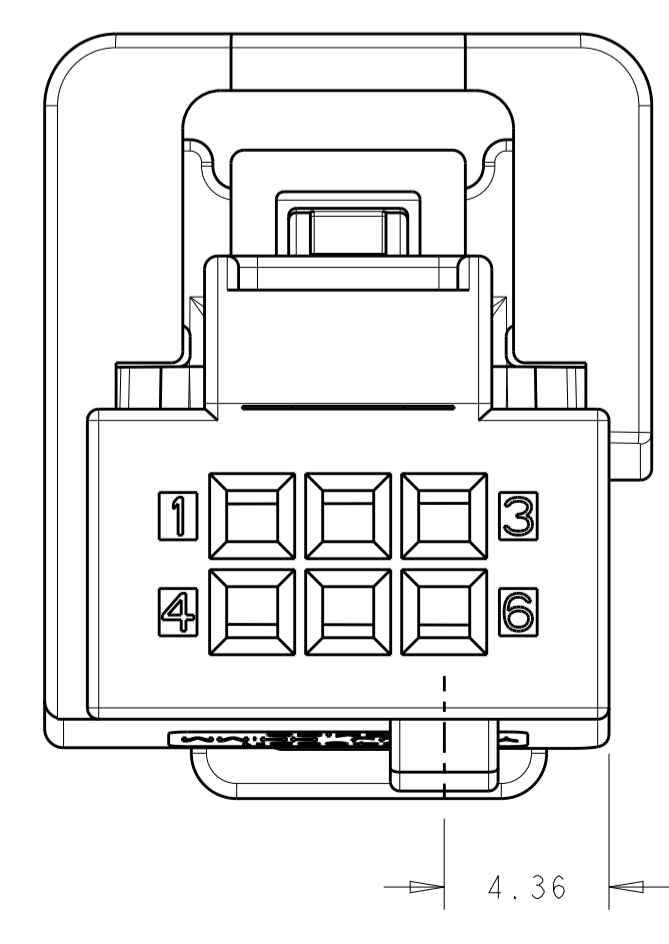
- PART NUMBER 2294663-1 SHOWN ON DRAWING.
- CPA TO BE SHIPPED IN PRE-LOCKED POSITION.
- MINIMUM FEED THROUGH HOLE WITH 1mm ALL AROUND.
- SHIELD HOUSING WILL ACCEPT TE CARRIER P/N 965413-1.
- SHIELD HOUSING TO MATE WITH TE INTERFACE P/N 2294663-MXCU.
- MARK WITH TE ASSEMBLY PART NUMBER AND YEAR, JULIAN DATE CODE, HOUR, MINUTE IN YY JJJ HH:MM ON TPA SIDE OF THE FEMALE HOUSING
- FOR SALABLE PRODUCT MANUFACTURED IN MEXICO, THE WORD "MEXICO" MUST BE MARKED ON THE PART PER TEC-115-83



ISOMETRIC VIEWS



KEY CODE A



KEY CODE B

LIGHT GRAY	B	2294663-2
BLACK	A	2294663-1
COLOUR	KEYING	PART NO

THIS DRAWING IS A CONTROLLED DOCUMENT.		OWN	M. KUMAR	08MAY2017
DIMENSIONS:		CHK	A. STOYANOV	09MAY2017
mm		APVD	A. STOYANOV	09MAY2017
TOLERANCES UNLESS OTHERWISE SPECIFIED:		NAME		
0 PLC	±	A. STOYANOV		
1 PLC	±0.3	PRODUCT SPEC		
2 PLC	±0.2	APPLICATION SPEC		
3 PLC	±0.2	SIZE		
4 PLC	±0.2	CAGE CODE		
ANGLES	±2°	DRAWING NO		
MATERIAL		RESTRICTED TO		
FINISH		A1		
CUSTOMER DRAWING		SCALE		5:1
		SHEET		1 OF 1
		REV		A