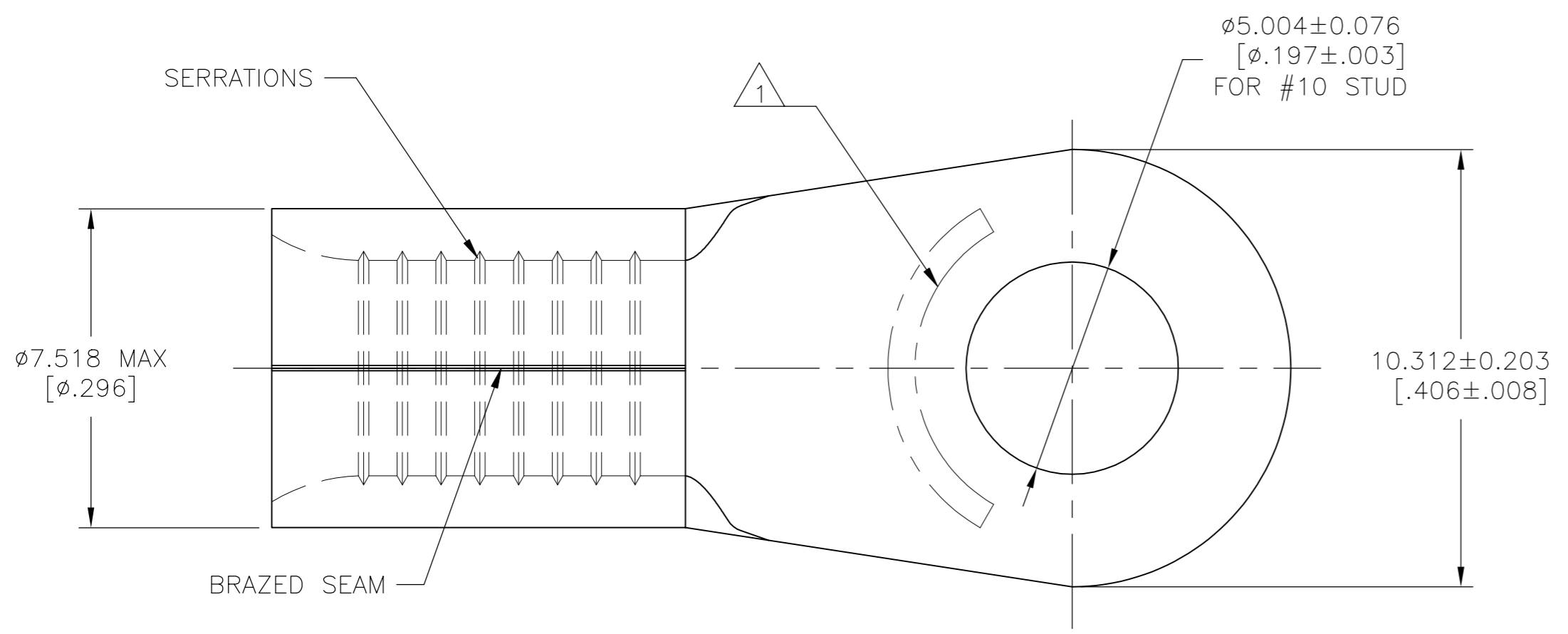


THIS DRAWING IS UNPUBLISHED.
 RELEASED FOR PUBLICATION
 ALL RIGHTS RESERVED.

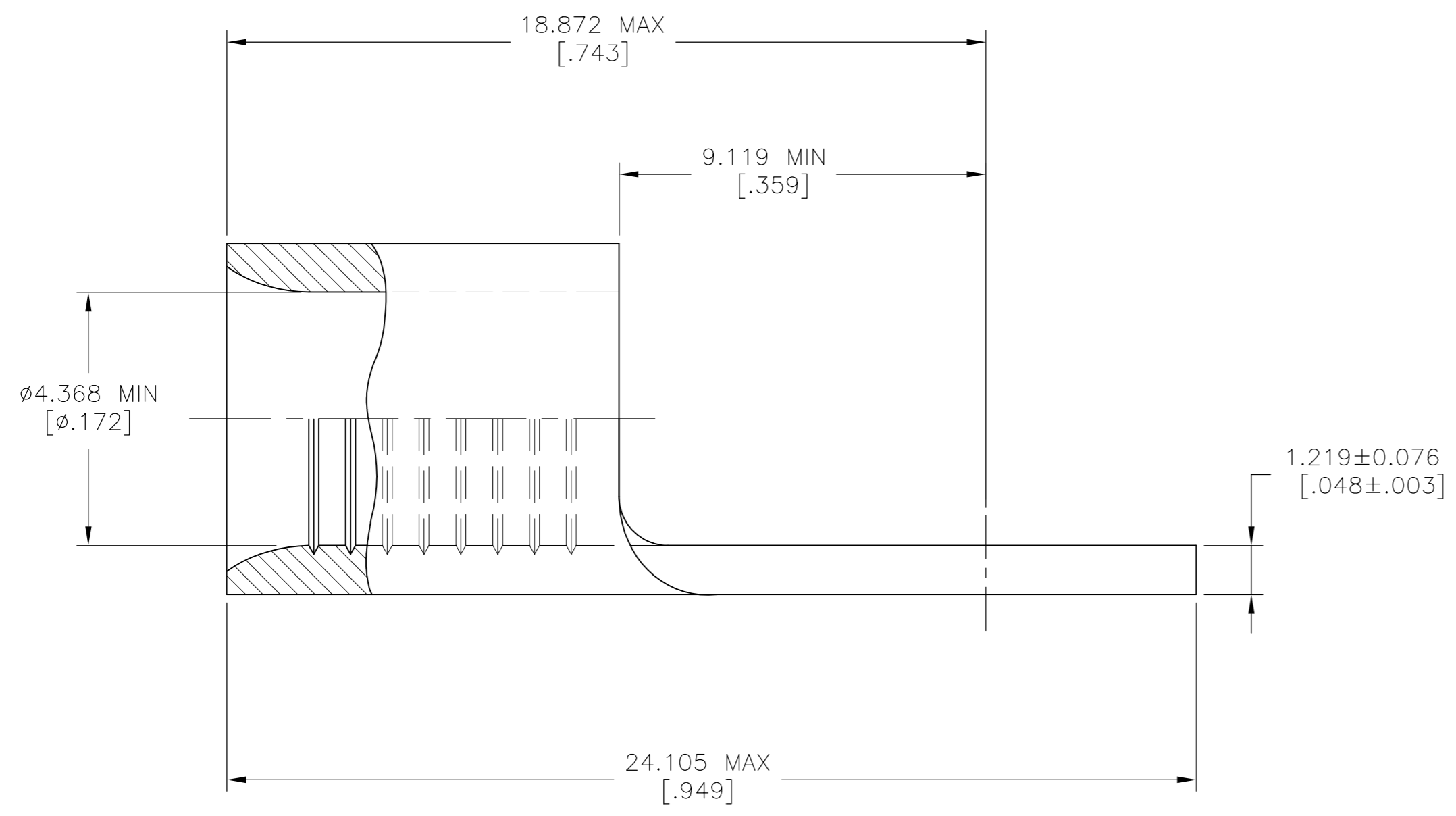
REVISIONS					
P	LTR	DESCRIPTION	DATE	DWN	APVD
	C2	REVISED PER ECO-11-004917	11MAR11	RK	HMR
	C3	REVISED PER ECO-18-002105	27FEB2018	RS	DR



AMP
WIRE RANGE

8 AWG
SOLID OR STRANDED

- 1 STAMP AMP 8* APPROX AS SHOWN
- 2 COPPER PR ASTM B-152, ANNEALED
- 3 NICKEL PLATE 0.00762 [0.00300] MIN EXT THK PER SAE AMS QQ-N-290.



PRELIMINARY	2000	BULK/BAG	323165-1
	100	LOOSE PIECE	323165
	QUANTITY	PACKAGE TYPE	PART NO

MAX RECOMMENDED OPERATING TEMPERATURE: 343°C[649°F] MAX	THIS DRAWING IS A CONTROLLED DOCUMENT.		DWN TA BRINKMAN 4-19-93	STE TE Connectivity Ltd.	
	VOLTAGE RATING: N/A	DIMENSIONS: mm [INCHES]	CHK DA PATTERSON 4-19-93		
CIRCULAR MIL AREA: 6.64-10.50mm ² [13,100-20,800] SOLID OR STRANDED	TOLERANCES UNLESS OTHERWISE SPECIFIED: 0 PLC ± - 1 PLC ± - 2 PLC ± - 3 PLC ± 0.127[.005] 4 PLC ± - ANGLES ± -	MATERIAL - 2	APVD JL MECKLEY 4-19-93	NAME TERMINAL, RING TONGUE, HEAT RESISTANT, STRATO-THERM, 8 AWG	
			FINISH - 3	PRODUCT SPEC 108-32046	APPLICATION SPEC 114-2162
CUSTOMER DRAWING			WEIGHT A2 00779	DRAWING NO C-323165	SCALE 8:1
			SHEET 1 of 1	REV C3	