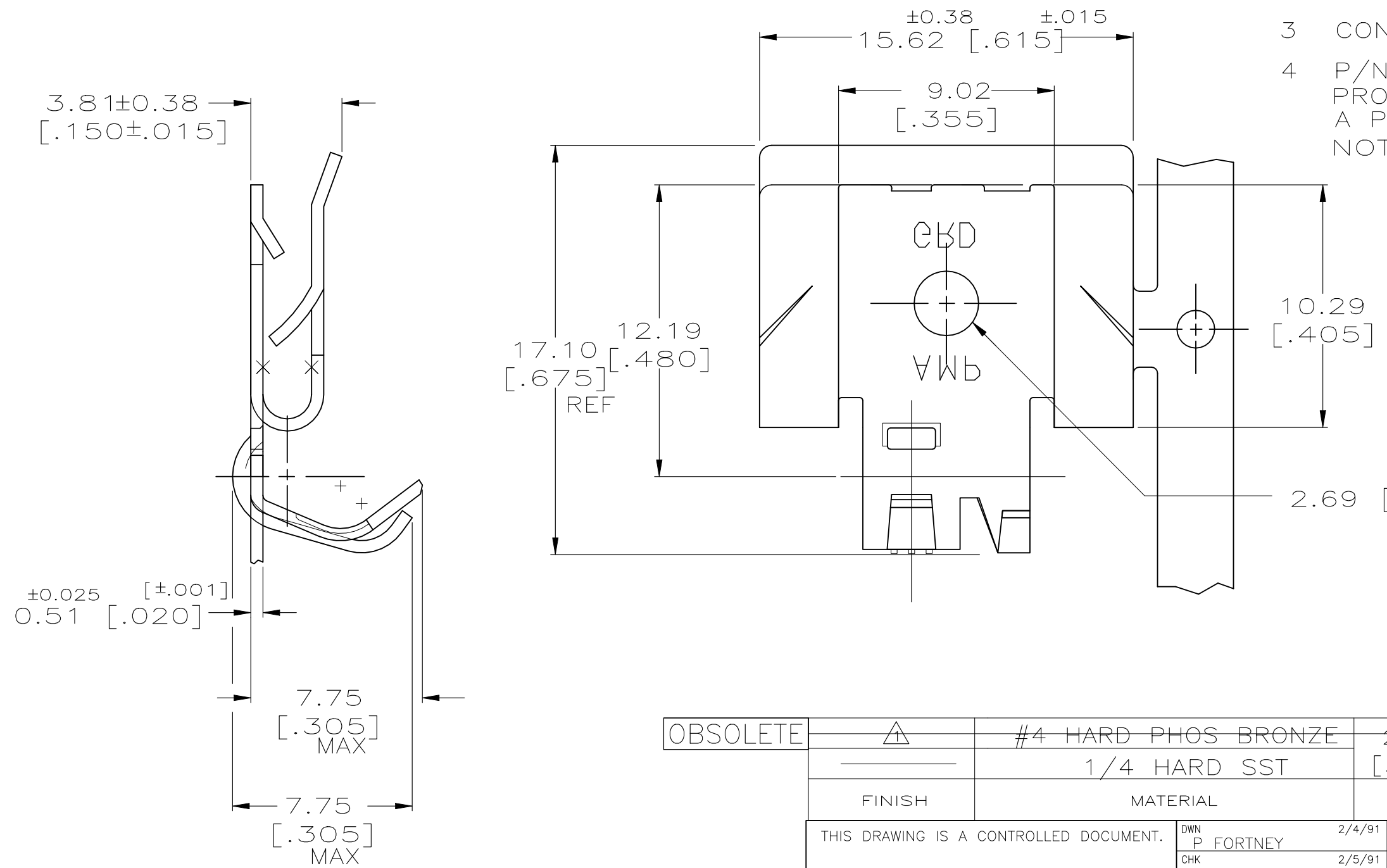


P	LTR	DESCRIPTION	DATE	DWN	APVD
D		REVISED PER ECR-21-104033	09SEP2021	SS	E.W

- 1 PRE-TIN PL .000080 MIN THK PER MIL-T-10727A.
- 2 MATES WITH .019-.071 THK PANEL.
- 3 CONTINUOUS STRIP ON REELS.
- 4 P/N 63575-1 ONLY IS RELEASED FOR PRODUCTION, P/N 63575-2 IS STILL A PROPOSED DESIGN UNTIL FURTHER NOTICE.



PROPOSED DESIGN  
NOT RELEASED FOR  
PRODUCTION  
P/N 63575-2 ONLY

OBSOLETE		#4 HARD PHOS BRONZE	2.54-3.56 DIA	0.8-2.0mm <sup>2</sup>	63575-2
		1/4 HARD SST	[.100-.140]	[18-14] AWG	63575-1
FINISH		MATERIAL	INSULATION RANGE	WIRE RANGE	PART NO

THIS DRAWING IS A CONTROLLED DOCUMENT.		DWN P FORTNEY 2/4/91	TE Connectivity		
DIMENSIONS: INCHES		CHK MS FEHER 2/5/91			
TOLERANCES UNLESS OTHERWISE SPECIFIED:		APVD K RANDOLPH 2/8/91	NAME CLIP, GROUNDING		
0 PLC ± -		PRODUCT SPEC	-		
1 PLC ± -		APPLICATION SPEC	-		
2 PLC ± 0.25 [.010]			SIZE	CAGE CODE	DRAWING NO
3 PLC ± -			A3	00779	C-63575
4 PLC ± -			RESTRICTED TO		
ANGLES ± -			-		
MATERIAL SEE TABLE	FINISH SEE TABLE	WEIGHT 0.000000	SCALE 5:1		
		CUSTOMER DRAWING	SHEET 1 OF 1		REV D

