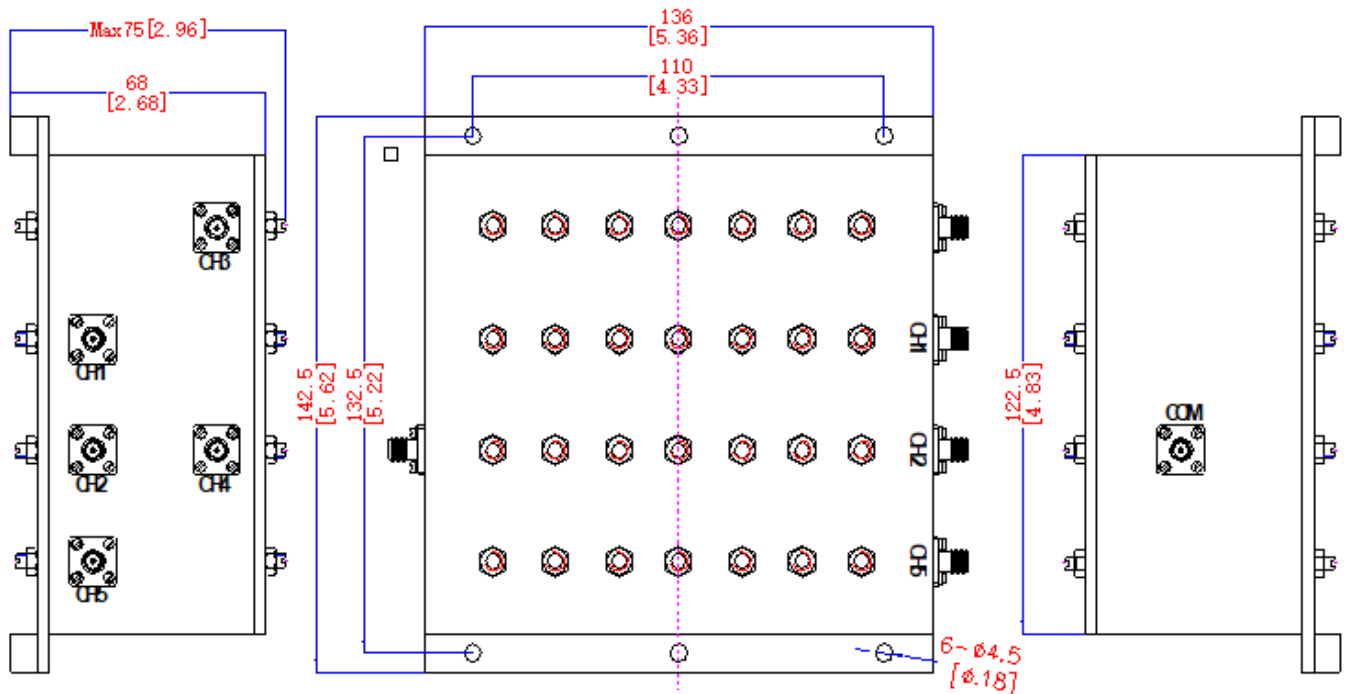




## Electrical specifications

	COM—CH1	COM—CH2	COM—CH3	COM—CH4	COM—CH5
<b>Frequency Range:</b>	729~746MHz	869~894MHz	1930~1990MHz	2110~2155MHz	2350~2360MHz
<b>Insertion Loss:</b>	≤1.0dB	≤1.0dB	≤1.0dB	≤1.0dB	≤1.0dB
<b>Return Loss:</b>	≥15dB	≥15dB	≥15dB	≥15dB	≥15dB
<b>Rejection:</b>	≥80dB@CH2, CH3,CH4,CH5	≥80dB@CH1, CH3,CH4,CH5	≥80dB@CH1, CH2,CH4,CH5	≥80dB@CH1,CH2 , CH3,CH5	≥80dB@CH1,CH2, CH3,CH4
<b>Power handling:</b>	100W(COM)				
<b>Dimensions:</b>	5.36 X 5.62 X 2.96 in.				
<b>Port Connectors:</b>	SMA-Female (50Ω)				
<b>Size Tolerance:</b>	As Below(±0.3mm)				

## Outline Drawing:



2 decimal places: +/-0.01 inches [+/-0.3mm]  
3 decimal places: +/-0.005 inches [+/-0.13mm]  
Angles: +/-1 Deg.

When max dimensions are called out the above tolerances do not apply as long as it is under the max call out.