

SPECIFICATION FOR PIEZO ELECTRIC SOUNDER

Customer	
Customer P/N	
BeStar Model Name	BSP1109-05H1.7 LF
Product No.	056400
Issue No.	BS/TEP01.448B
Issue Date	07/06/15

Approval:

- 1.Characteristics
- 2.Dimension
- 3.Reliability Test
- 4.Tape on Reel Packing
- 5.Notice
- 6.History change record

Drawn by	Checked by	Approved by	Customer approved
杨红牌	韩学慧	程久生	

For conform to the European Union Directive on the Restriction of Hazardous Substances(RoHS), this type of productions forbid use all the hazardous substances as follow:

Lead
Cadmium
Mercury
Hexavalent chromium
Polybrominated biphenyls (PBB)
Polybrominated diphenyl ethers (PBDE)



BESTAR ELECTRONICS INDUSTRY CO.,LTD
No.199 HuangHe West Road.New district,changzhou,
jiangsu Province,P.R.China
Tel:86-519-8222567 Fax:86-519-8222551
Http:www.be-star.com
E-mail: wu@be-star.com, info@be-star.com

BSP1109-05H1.7 LF

1. Characteristics

1.1 Features

1. SMD; thinner, smaller size
2. High S.P.L.; and clear sound
3. Reflowable; RoHS compliant
4. Tape & Reel supply
5. Minimum quantity (one reel): 1000 pcs.

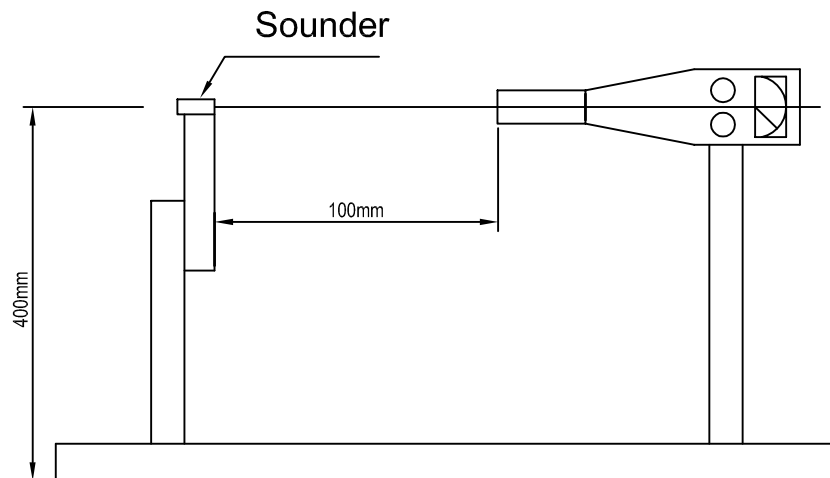


1.2 Electrical and Mechanical Characteristics

No.	Item	Specification
1.	Rated Voltage(Square Wave)	5 Vp-p
2.	Operating Voltage	1...25Vp-p
3.	a)Rated Current	max.1mA
4.	Capacitance at 120Hz	10± 30%nF
5.	a)Sound Output at 4.1KHz,10cm	Min.70dB(after reflow no changes)
6.	Resonant Frequency	4.1 KHz
7.	Operating Temperature	-20...+70 ° C
8.	Storage Temperature	-30...+80 ° C
9.	Weight	1.6g ± 25%
a)Value applying at rated voltage.(5Vp-p square wave,1/2duty)		

1.3 Standard test Fixture

No reaction in space with in 400mm in all direction

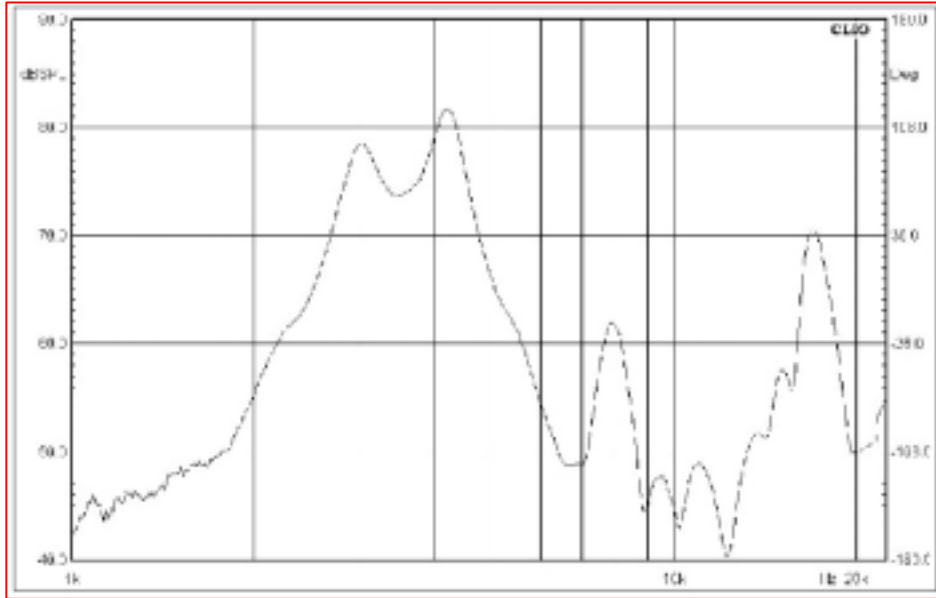


This print and information there in are proprietary to Bestar Electronics Industry Co., Ltd. and shall not be used in whole or in part without its written content

				Date:	07/06/15	BSP1109-05H1.7 LF
				Drawn by:	杨红焯	
B	07/06/15	杨红焯		Checked by:	韩学慧	Piezo Sounder
Rev.	Date	Drawn	Note	Approved by:	程久生	
BESTAR ELECTRONICS INDUSTRY CO.,LTD						DRG NO: BS/TEP01.448B
www.be-star.com wu@be-star.com						Page:1 of 6

BSP1109-05H1.7 LF

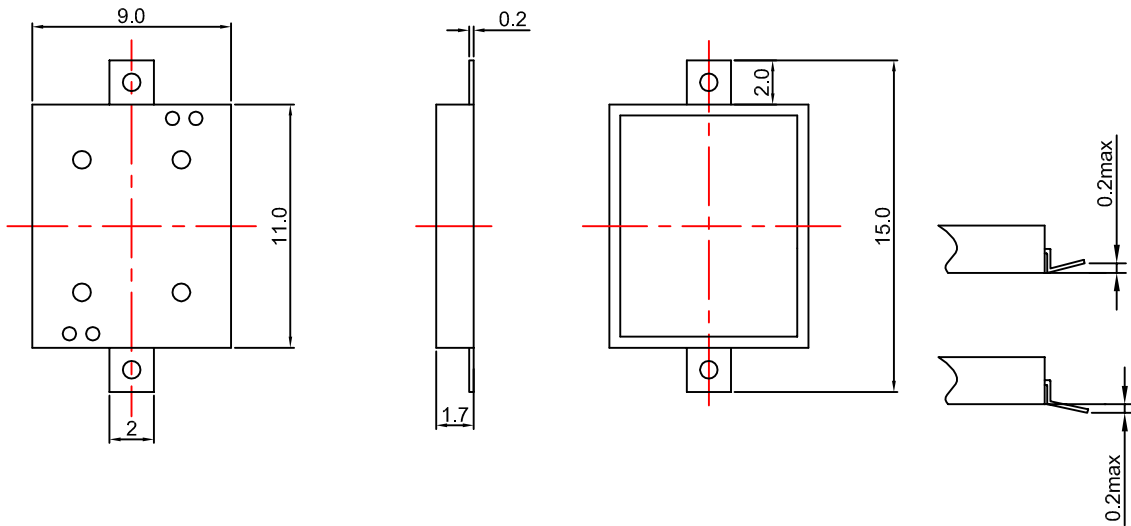
1.4 Frequency Response(Square wave 5Vp-p 10cm)



2. Dimension

Tolerance: ± 0.3

Unit:mm



This print and information there in are proprietary to Bestar Electronics Industry Co., Ltd. and shall not be used in whole or in part without its written content

			Date:	07/06/15	BSP1109-05H1.7 LF	
			Drawn by:	杨红焯		
B	07/06/15	杨红焯	Checked by:	韩学慧	Piezo Sounder	
REV.	Date	Drawn	Approved by:	程久生		
BESTAR ELECTRONICS INDUSTRY CO.,LTD					DRG NO: BS/TEP01.448B	Page:2 of 6
www.be-star.com wu@be-star.com						

BSP1109-05H1.7 LF

3. Reliability test

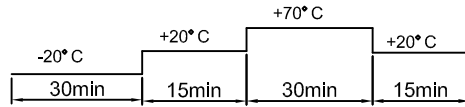
3.1 high temperature test

Temperature +80° C
Duration 96hrs

3.2 low temperature test

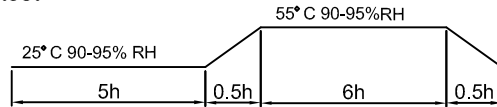
Temperature -30° C
Duration 96hrs

3.3 temperature cycle test



Cycles 2

3.4 Humidity test



Cycles 10

all these tests above should be measured after leaving normal temperature for 2hrs.

3.5 Life test

Rated Voltage with the rated frequency
Duration 1000hrs

3.6 Vibration Test

Vibration Frequency 10~55Hz
Amplitude 1.52mm
Duration 2hrs each of 3 axis

3.7 Drop test

Height 700cm
(to 10mm thickness woodenboard)
Direction 3

3.8 Solderability

Temperature 255± 5° C
Duration 3± 0.5sec

3.9 Solder Heat Resistance

Temperature 250± 10° C
Duration 30sec

Notice: All specification must be satisfied in this condition.

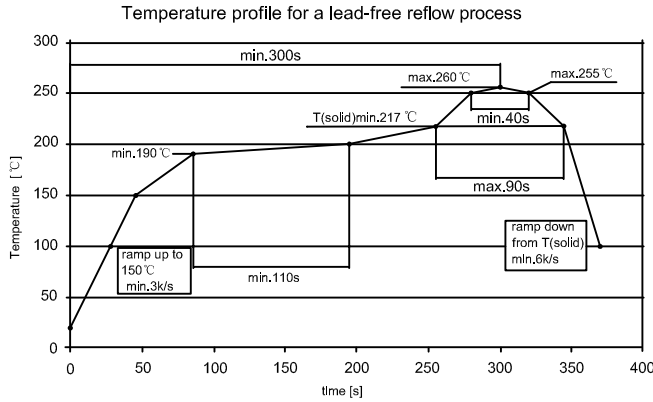
SPL: allowable deviation ± 5dB of the initial value after testing

This print and information there in are proprietary to Bestar Electronics Industry Co., Ltd. and shall not be used in whole or in part without its written content

				Date:	07/06/15	BSP1109-05H1.7 LF
				Drawn by:	杨红焯	
B	07/06/15	杨红焯		Checked by:	韩学慧	Piezo Sounder
REV.	Date	Drawn	Note	Approved by:	程久生	

BSP1109-05H1.7 LF

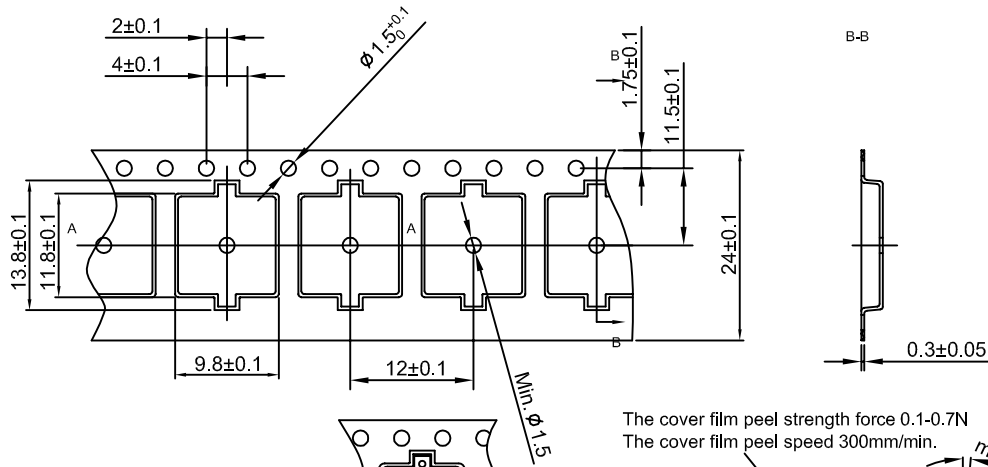
3.10 Recommended Temp. Profile for Reflow Oven



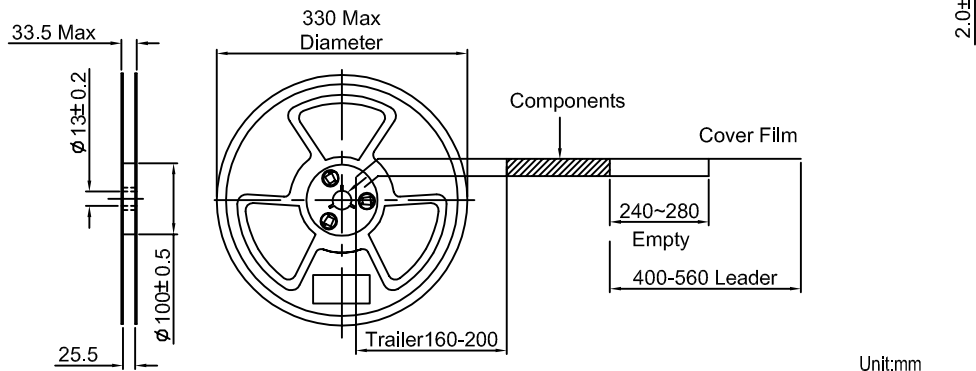
4. Tape on Reel Packing

4.1 packing drawing

Dimensions of carrier tape



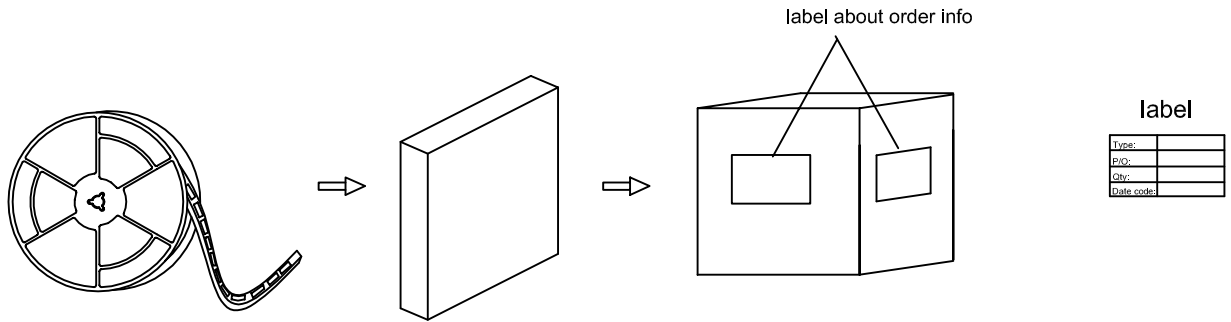
Dimensions of reel



This print and information there in are proprietary to Bestar Electronics Industry Co., Ltd. and shall not be used in whole or in part without its written content

				Date:	07/06/15	BSP1109-05H1.7 LF	
				Drawn by:	杨红辉		
B	07/06/15	杨红辉		Checked by:	韩学慧	Piezo Sounder	
REV.	Date	Drawn	Note	Approved by:	程久生		
BESTAR ELECTRONICS INDUSTRY CO.,LTD						DRG NO: BS/TEP01.448B	Page:4 of 6
www.be-star.com wu@be-star.com							

BSP1109-05H1.7 LF



4.2 packing quantity

- 4.21 2500pcs/reel
- 4.22 5reel/carton
- 4.23 12500 pcs/carton in total
- 4.24 carton size 38x28x37cm

5. Notice

5.1 The products mustn't be washed

5.2 Storage Condition

The products should be stored in the room, where the temperature/humidity is stable. And avoid such places where there are large temperature changes. Please store the products at the following conditions:

Temperature: -10 to + 40°C Humidity: 15 to 85% R.H.

5.3 Expire Date on Storage

Expire date (Shelf life) of the products is six months after delivered under the conditions of a sealed and an unopened package. Please use the products within six months after delivered.

If you store the products for a long time (more than six months), use carefully because the products may be degraded in the solderability and/or rusty. Please confirm solderability and characteristics for the products regularly.

5.4 Notice on Product Storage

(1) Please do not store the products in a chemical atmosphere (Acids, Alkali, Bases, Organic gas, Sulfides and so on), because the characteristics may be reduced at quality, and/or be degraded in the solderability due to the storage in a chemical atmosphere.

(2) Please use the products immediately after the package is opened, because the characteristics may be reduced at quality, and/or be degraded in the solderability due to storage under the poor condition.

(3) Please do not drop the products to avoid cracking of ceramic element.

This print and information there in are proprietary to Bestar Electronics Industry Co., Ltd. and shall not be used in whole or in part without its written content

				Date:	07/06/15	BSP1109-05H1.7 LF
				Drawn by:	杨红焯	
B	07/06/15	杨红焯		Checked by:	韩学慧	Piezo Sounder
REV.	Date	Drawn	Note	Approved by:	程久生	

BESTAR ELECTRONICS INDUSTRY CO.,LTD

www.be-star.com wu@be-star.com

DRG NO: BS/TEP01.448A

Page:5 of 6

