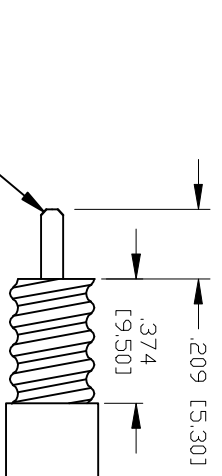
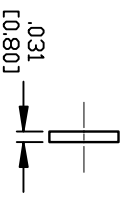
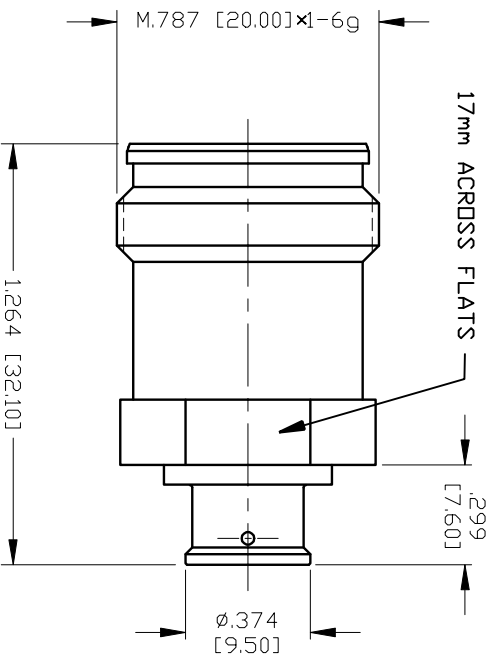


PART NO. **RFD-43RDCP-HPL**

REV	DESCRIPTION	DWN	DATE	APPROVED
—	REL	DW	10/15/20	JDM



RECOMMENDED STRIPPING DIMENSIONS  
 USE COMPATIBLE TRIM TOOL SUCH AS MCPT-1412

**SPECIFICATIONS:**

INTERFACE: IEC61169-54  
 IMPEDANCE: 50 Ohms  
 FREQUENCY RANGE: 0-6 GHz  
 RETURN LOSS: 30 dB DC-2500 MHz  
 RETURN LOSS: 27 dB 2500-4000 MHz  
 RETURN LOSS: 21 dB 4000-5000 MHz  
 RETURN LOSS: 19 dB 5000-6000 MHz  
 3rd ORDER IM: S-161 dbc @ 700 MHz & 1900 MHz  
 3rd ORDER IM TEST METHOD: 2x43 dbm CARRIERS  
 DC TEST VOLTAGE: 2500 V @ SEA LEVEL  
 TEMPERATURE RANGE: -55°C TO 90°C  
 MATING CYCLES: >100  
 COUPLING TORQUE: > 3.7 FT-LB (≥5 Nm)  
 NET WEIGHT: 0.075 lb  
 CERTIFICATIONS: RoHS  
 ENVIRONMENTAL: IEC 60529, IPX8 (2.5 BAR, 1 HOUR)  
 IEC 61169-1 CLAUSE 9.4.6 48 HOUR SALT MIST, 35°C  
 USED ON: SPP-250-LPP, SPO-250, SCF14-50J, SPF-250,  
 FSJ1-50A, SCF14-50J, PTS1-50-P, TFT-401, EC1-50-HF

#	DESCRIPTION	QTY	MATERIAL	FINISH
5	GROUND RING	1	PHOSPHOR BRONZE	Cu50Zn ALLOY
4	SPACER	1	PTFE	NATURAL
3	INSULATOR	1	PTFE	NATURAL
2	CONTACT	1	PHOSPHOR BRONZE	SILVER
1	BODY	1	BRASS	Cu50Zn ALLOY

CUSTOMER OUTLINE DRAWING  
 ALL DIMENSIONS ARE REFERENCE ONLY  
 UNLESS OTHERWISE SPECIFIED: DIMENSIONS ARE IN INCHES AND [MILLIMETERS]

PROPRIETARY AND CONFIDENTIAL  
 THIS DRAWING CONTAINS INFORMATION PROPRIETARY TO RF INDUSTRIES. ANY UNAUTHORIZED USE OF THIS DRAWING IS EXPRESSLY PROHIBITED WITHOUT WRITTEN PERMISSION FROM RF INDUSTRIES. ANY VIOLATION IS PUNISHABLE UNDER U.S. COPYRIGHT LAWS.

**RF Industries**  
 DIVISION OF RF INDUSTRIES, LTD. (858) 549-6345 FAX  
 7610 MIRAMAR RD. SAN DIEGO, CA 92126 (858) 549-6340

**4.3/10 FEMALE**  
 CAPTIVATED CONTACT, DIRECT SOLDER

SCALE: NTS ENGINEERING ID: 2000055 SHEET 1 OF 1

DRW	C. ZUNIGA	09/09/20
CHECKED		
BRN	C. ZUNIGA	10/15/20