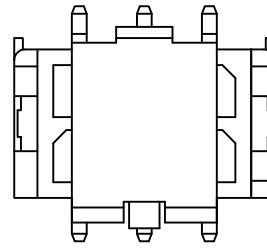
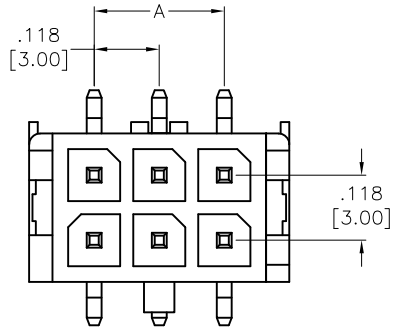
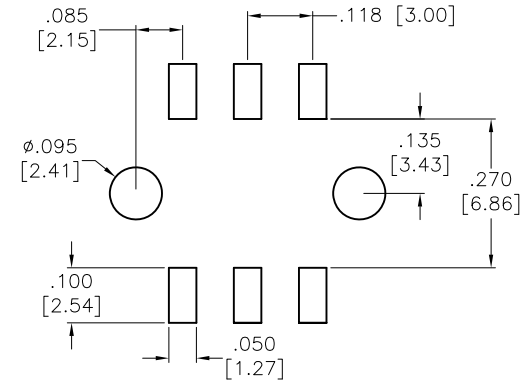


APPROVED: _____
 DATE: _____ TITLE: _____

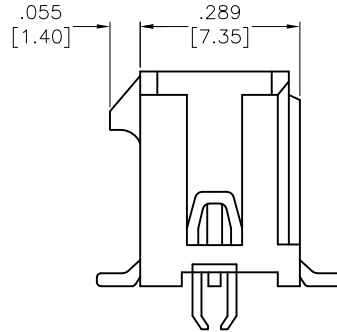
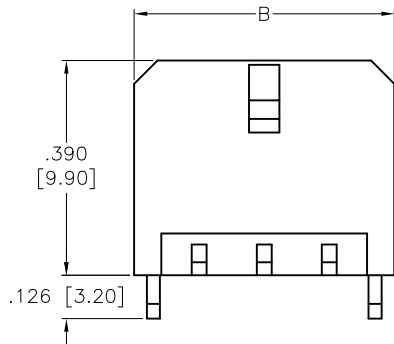
Rev	AWO #	Description	Date	Appr
-		RELEASED	10/04/11	
A		UPDATED BOARDLOCK DIM.	2/10/17	HR/CT



SHOWN WITH CAP



RECOMMENDED PCB LAYOUT



POSITIONS	Dimension	
	A	B
2	N/A	.262 [6.65]
4	.118 [3.00]	.380 [9.65]
6	.236 [6.00]	.498 [12.65]
8	.354 [9.00]	.616 [15.65]
10	.472 [12.00]	.734 [18.65]
12	.591 [15.00]	.852 [21.65]
14	.709 [18.00]	.970 [24.65]
16	.827 [21.00]	1.088 [27.65]
18	.945 [24.00]	1.206 [30.65]
20	1.063 [27.00]	1.325 [33.65]
22	1.181 [30.00]	1.443 [36.65]
24	1.299 [33.00]	1.561 [39.65]

SPECIFICATIONS:

Material:
 Insulator: Hi-temp thermoplastic, rated UL 94V-0
 Insulator color: Black
 Contacts: Brass
 Plating:
 Tin over Copper underplate on tails.
 Electrical:
 Voltage rating: 250V AC, DC
 Current rating: 5A AC, DC
 Contact resistance: 10 mohms max
 Dielectric withstanding voltage: 1500 VAC for 1 minute
 Temperature range:
 -25°C to +85°C
 Environmental:
 Lead free, RoHS compliant.



PACKAGED ON TAPE & REEL

UNLESS OTHERWISE SPECIFIED ALL DIMENSIONS ARE INCHES [MM] TOLERANCES: EXCEPT AS NOTED		
INCHES		
.X ± .10	∅X ± .10	HOLES
.XX ± .020	∅XX ± .015	
.XXX ± .015	∅XXX ± .010	
APPROVALS		DATE
DRAWN	TW	10/04/11
CHECKED	AY	10/04/11
APPROVED		

ADAM TECH
INTERCONNECTS

909 Rahway Avenue,
 Union, NJ 07083
 Phone: 908-687-5000
 Fax: 908-687-5710

TITLE .118 [3.00] DUAL ROW HEADER, VERTICAL SMT TYPE, WITH CAP		
SIZE X	PART NO. DML-XX-A-V-T-SMT-BL-PP-T/R	REV. A
REF: S00123T	SCALE: NTS	SHEET 1 OF 1