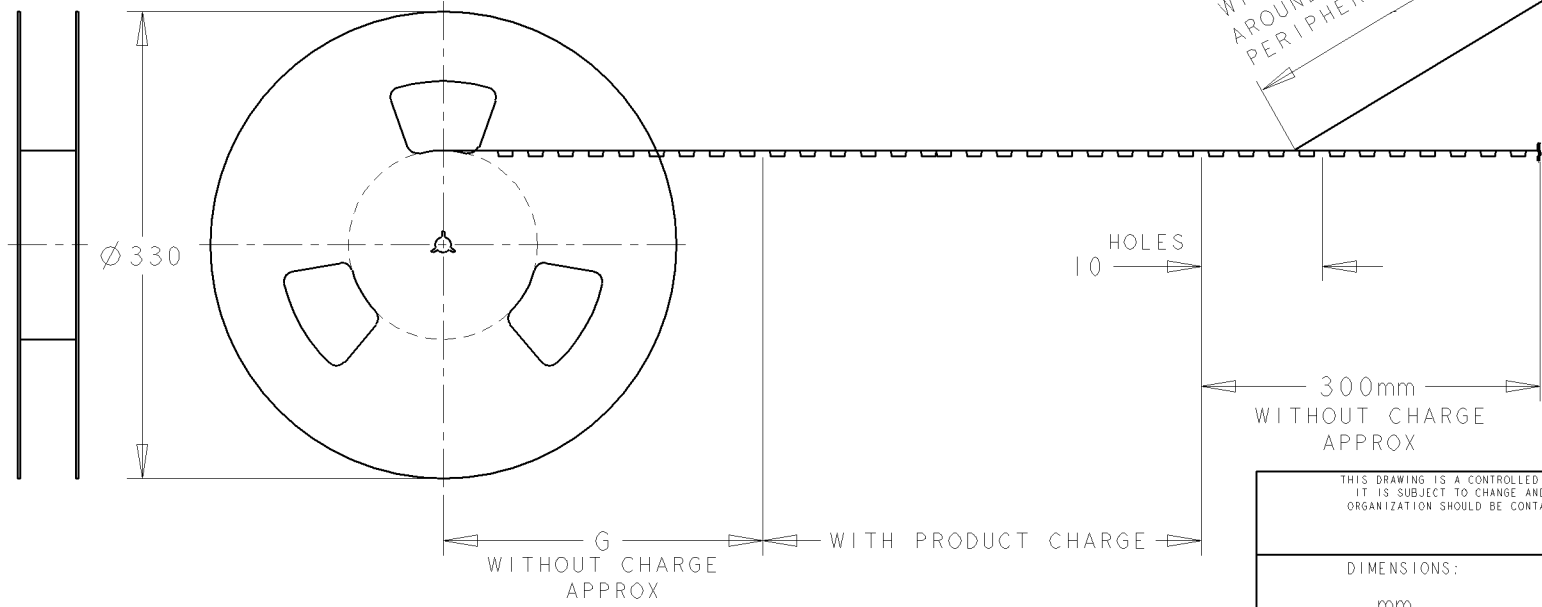
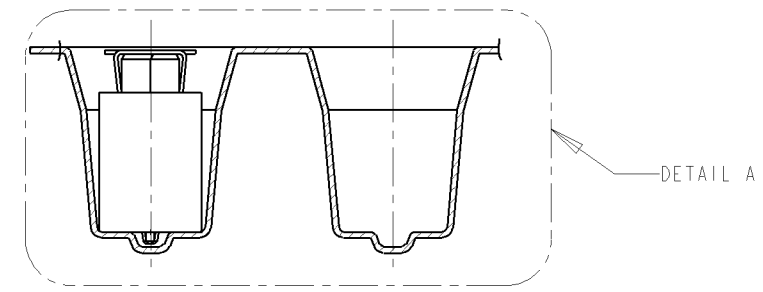
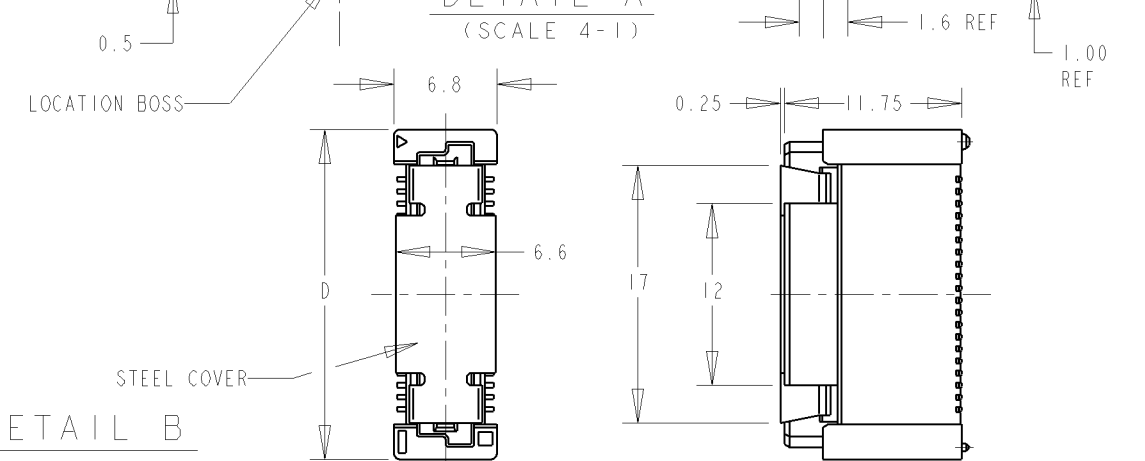
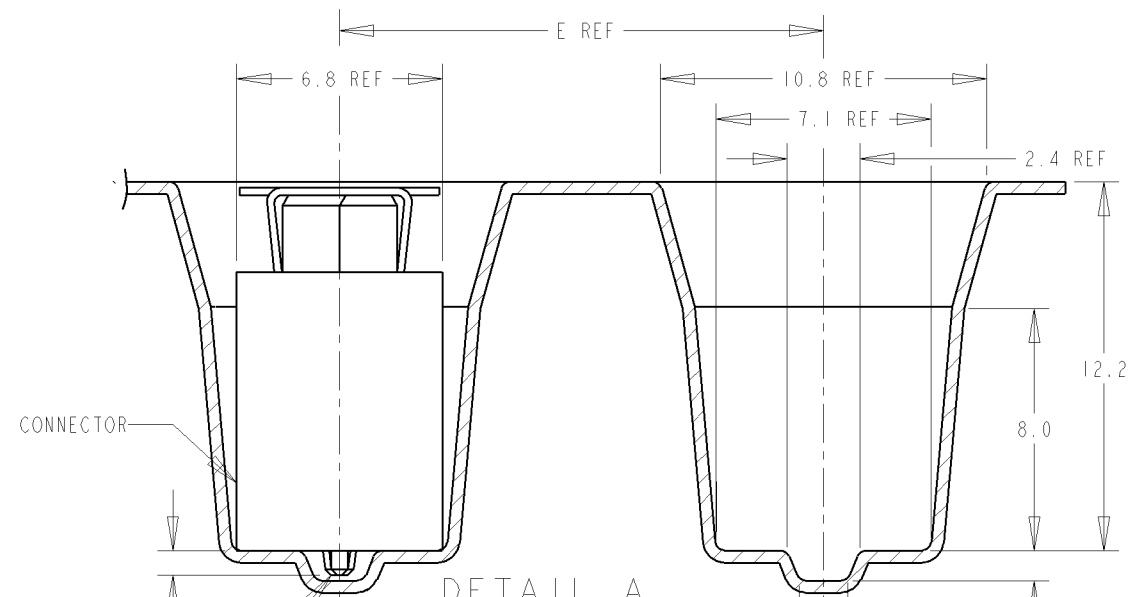
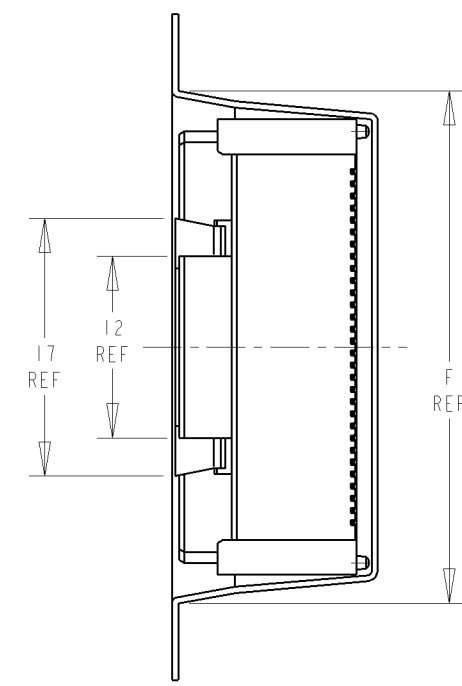
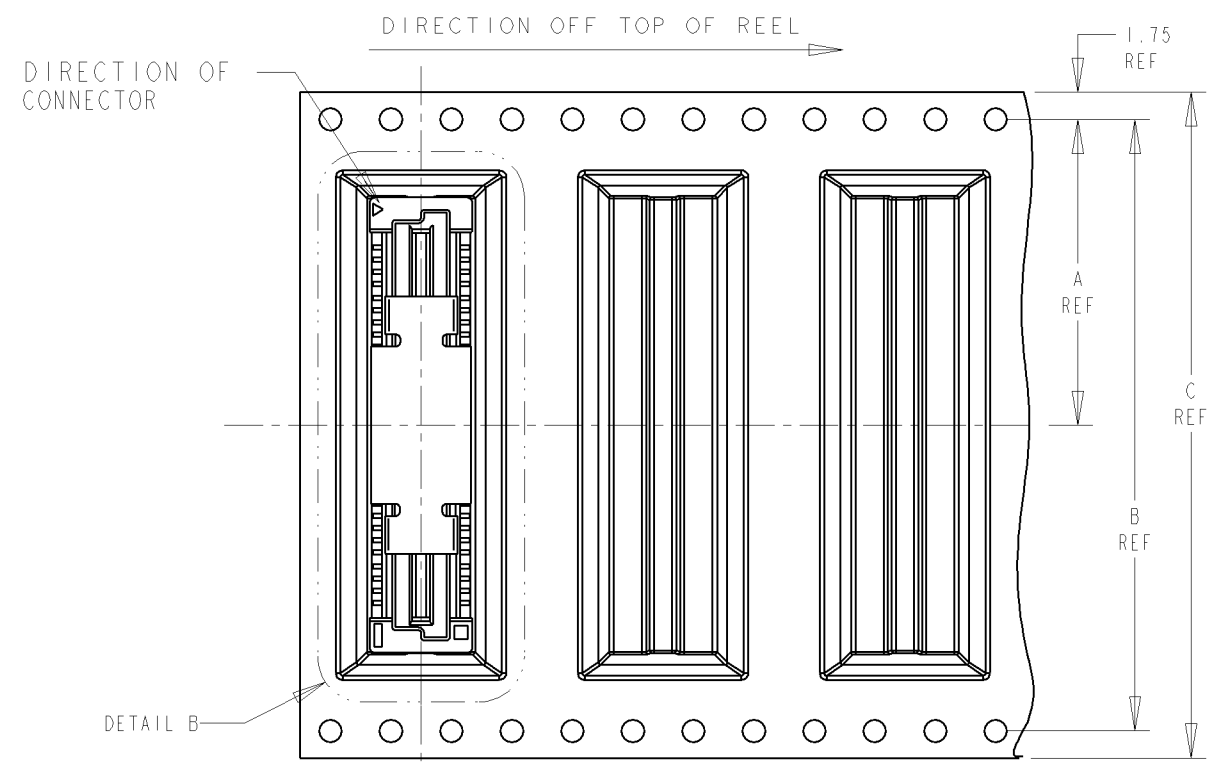


THIS DRAWING IS UNPUBLISHED. RELEASED FOR PUBLICATION .19  
 BY AMP INCORPORATED. ALL RIGHTS RESERVED.

LOC		DIST		REVISIONS					
DY		-		P	LTR	DESCRIPTION	DATE	DWN	APVD
				A		NPR ECR-09-012357	1JUN09	LWY	SYJ



WINDING THE COVER TAPE AROUND THE OUTER PERIPHERY IN A TURN.

AVAILABLE	200	300	89.8	16	85.8	104	100.4	50.2	6-5179010-0	200	1-1735805-0
	200	300	81.8	16	77.8	104	100.4	50.2	5-5179010-9	180	1735805-9
	200	300	73.8	16	69.8	88	84.4	42.2	5-5179010-8	160	1735805-8
	200	300	65.8	16	61.8	88	84.4	42.2	5-5179010-6	140	1735805-6
	200	300	57.8	16	53.8	72	68.4	34.2	5-5179010-5	120	1735805-5
	200	300	49.8	16	45.8	72	68.4	34.2	5-5179010-4	100	1735805-4
	200	300	41.8	16	37.8	56	52.4	26.2	5-5179010-3	80	1735805-3
	200	300	33.8	16	29.8	44	40.4	20.2	5-5179010-2	60	1735805-2
	200	300	25.8	16	21.8	44	40.4	20.2	5-5179010-1	40	1735805-1
REMARKS	QTY	G	F	E	D	C	B	A	CONNECTOR P/N	POS	PART NO.

THIS DRAWING IS A CONTROLLED DOCUMENT FOR AMP INCORPORATED. IT IS SUBJECT TO CHANGE AND THE CONTROLLING ENGINEERING ORGANIZATION SHOULD BE CONTACTED FOR THE LATEST REVISION.

DWN WYLEE 1JUN09  
 CHK YJ SEE  
 APVD SF LEONG  
 PRODUCT SPEC 108-5390  
 APPLICATION SPEC 114-5254  
 WEIGHT -

Tyco Electronics Corporation Singapore  
 NAME RECEPTACLE ASS'Y 13H TYPE (0.5 BOSS LENGTH) FOR FH 0.8mm B-T-B CONN. ON TAPING  
 SIZE A3 CAGE CODE 00779 DRAWING NO C-1735805

CUSTOMER DRAWING SCALE 2:1 SHEET 1 OF 1 REV A