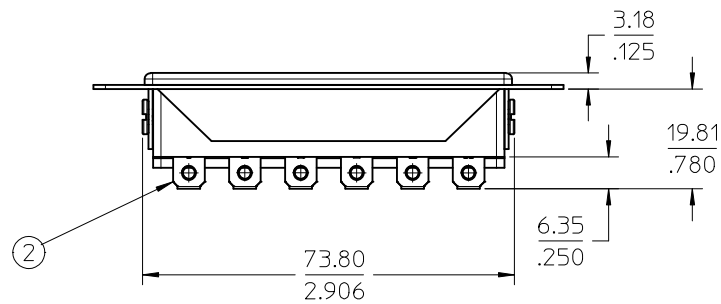


2 HOLES-  
CLEARANCE FOR .156 DIA. POLARIZING PIN.



4	2	SCREW #6-32X.312 PAN SLOTNI/STEEL	STEEL	NICKEL
3	1	BRACKT SHALOW 5412 PAINT	STEEL	BLACK PAINT/ZINC
2	12	CONTACT S1 5400 SN/D	PHOS.BRONZE	TIN
1	1	BASE SOCKET 5412 MOGPP	PHENOLIC	BLACK
ITEM	QTY	DESCRIPTION	MATERIAL	FINISH

INITIAL RELEASE	DESCRIPTION
EC NO: WNA2010-0319	2010/02/12
DRWNGES	2010/05/13
CHKD:CLYORK	2010/07/12
APPR:DTITUS	
A	REV

QUALITY SYMBOLS	GENERAL TOLERANCES (UNLESS SPECIFIED)		DIMENSION STYLE		SCALE	DESIGN UNITS	THIRD ANGLE PROJECTION
	mm	INCH	MM/IN		1:1	INCH	
▽=0	4 PLACES	± ---	± ---	DRAWN BY	DATE	TITLE	
∇=0	3 PLACES	± ---	± .015	GES	2010/02/12	SOCKET, SB 5412 ASY	
	2 PLACES	± 0.38	± ---	CHECKED BY	DATE		
	1 PLACE	± ---	± ---	CLYORK	2010/05/13		
	ANGULAR ± 1/2°			APPROVED BY	DATE		
	DRAFT WHERE APPLICABLE MUST REMAIN WITHIN DIMENSIONS			DTITUS	2010/07/12		
	SIZE	MATERIAL NO.		DOCUMENT NO.		SHEET NO.	
	A3	385421312		SD-38542-015		1 OF 1	
THIS DRAWING CONTAINS INFORMATION THAT IS PROPRIETARY TO MOLEX INCORPORATED AND SHOULD NOT BE USED WITHOUT WRITTEN PERMISSION							

NOTES:  
1. ASSEMBLY IS ROHS COMPLIANT.