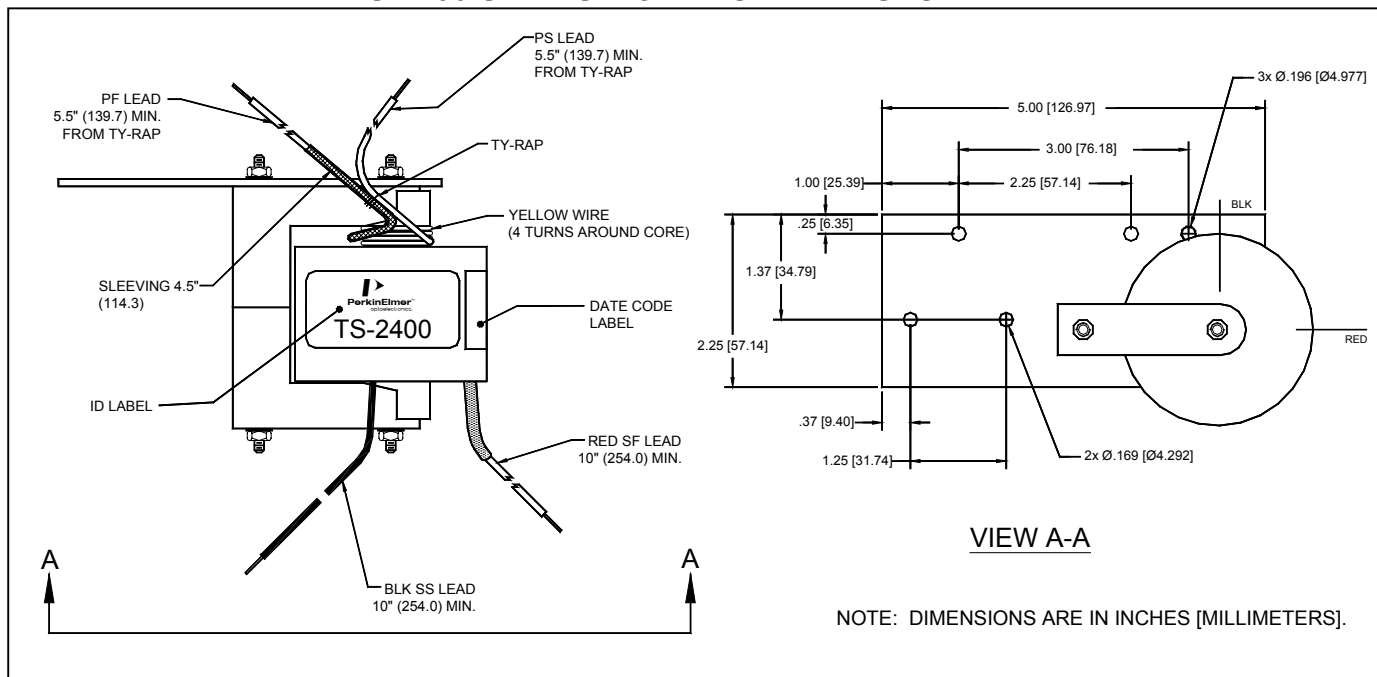


TS-2400 SERIES INJECTION TRANSFORMER

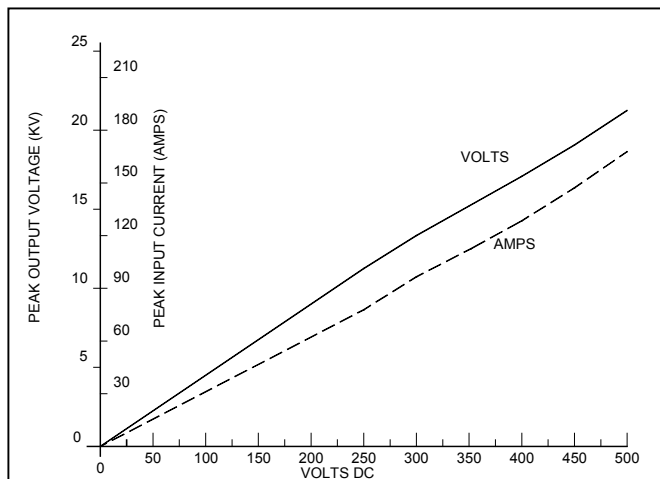


OUTLINE & MOUNTING DIMENSIONS

SPECIFICATIONS

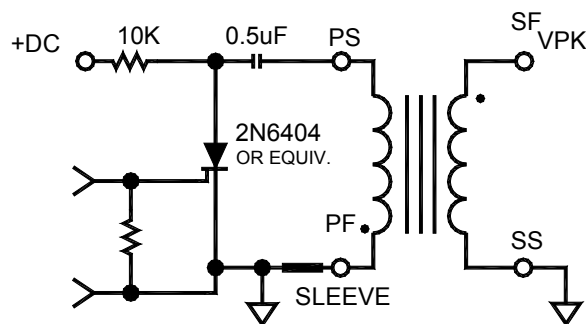
Maximum DC input	500 Volts
Primary peak current	170 Amps
Turns ratio (secondary to primary)	29:1
Hold-off voltage (secondary to primary)	20 kV
Secondary DCR	0.22 ohms

Hold-off voltage (secondary to primary)	18 kV
Rise time 10%-90%	0.8 uSec
Pulse width 50% amplitude	1.0 uSec
Secondary RMS Current	18 Amps
Secondary saturated inductance	350 uH



INPUT VS. OUTPUT

For more information e-mail us at opto@perkinelmer.com or visit our website at optoelectronics.perkinelmer.com
All values are nominal; specification subject to change without notice.



TYPICAL CIRCUIT

Worldwide Headquarters
PerkinElmer Optoelectronics
44370 Christy Street
Fremont, CA 94538
Telephone: +1 510-979-6500
Toll Free (North America): +1 800-775-OPTO (6786)
Fax: +510-687-1140
Email: opto@perkinelmer.com

Europe Headquarters
PerkinElmer Optoelectronics
Wenzel-Jaksch-Str. 31
D-65199 Wiesbaden, Germany
Telephone: +49 611 492 430
Fax: +49 611 492 165
Email: opto.Europe@perkinelmer.com

Asia Headquarters
PerkinElmer Optoelectronics
47 Ayer Rajah Crescent #06-12
Singapore 139947
Telephone: +65 6770 2022
Fax: +65 6775 1008
Email: opto.Asia@perkinelmer.com

