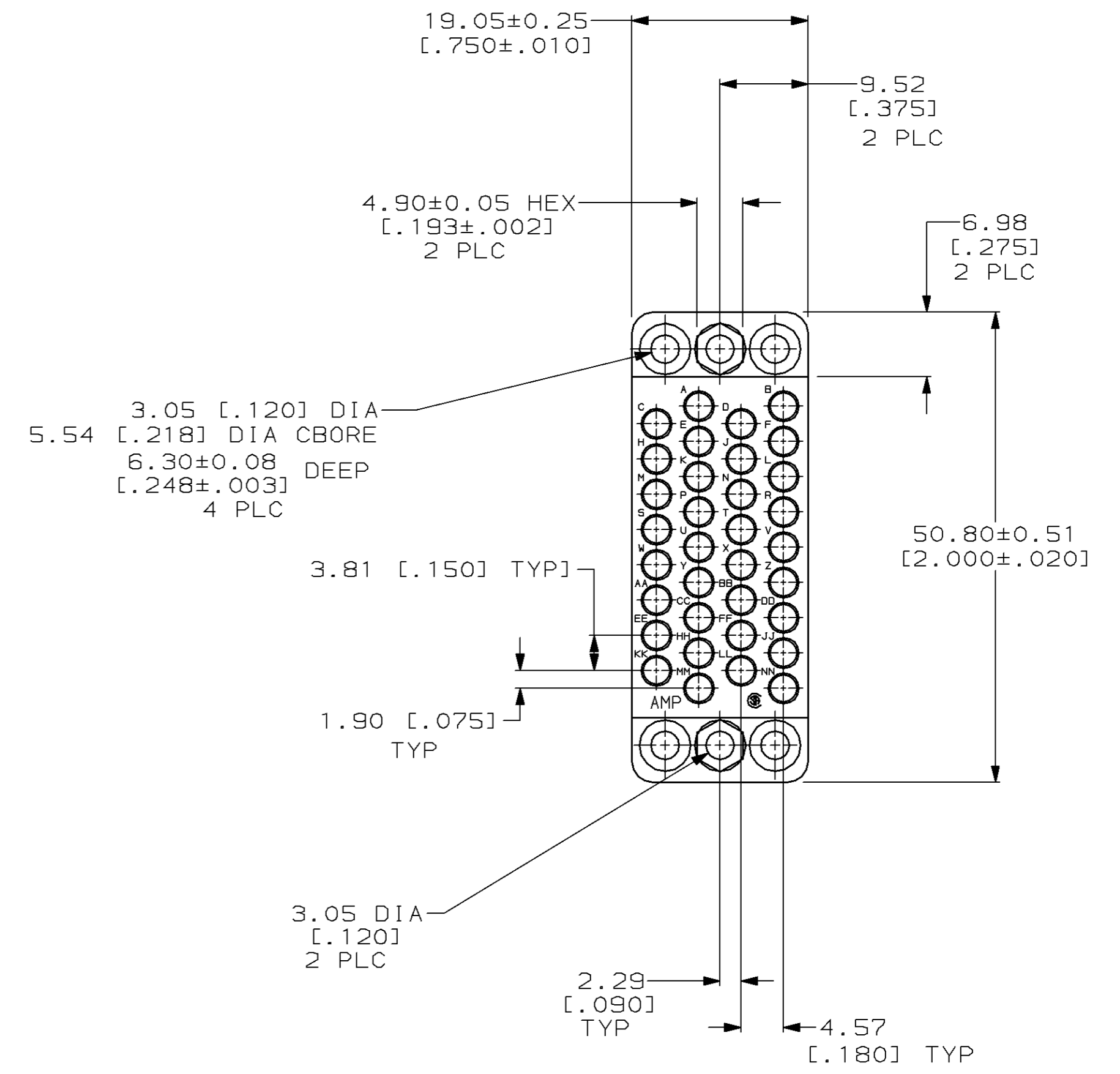
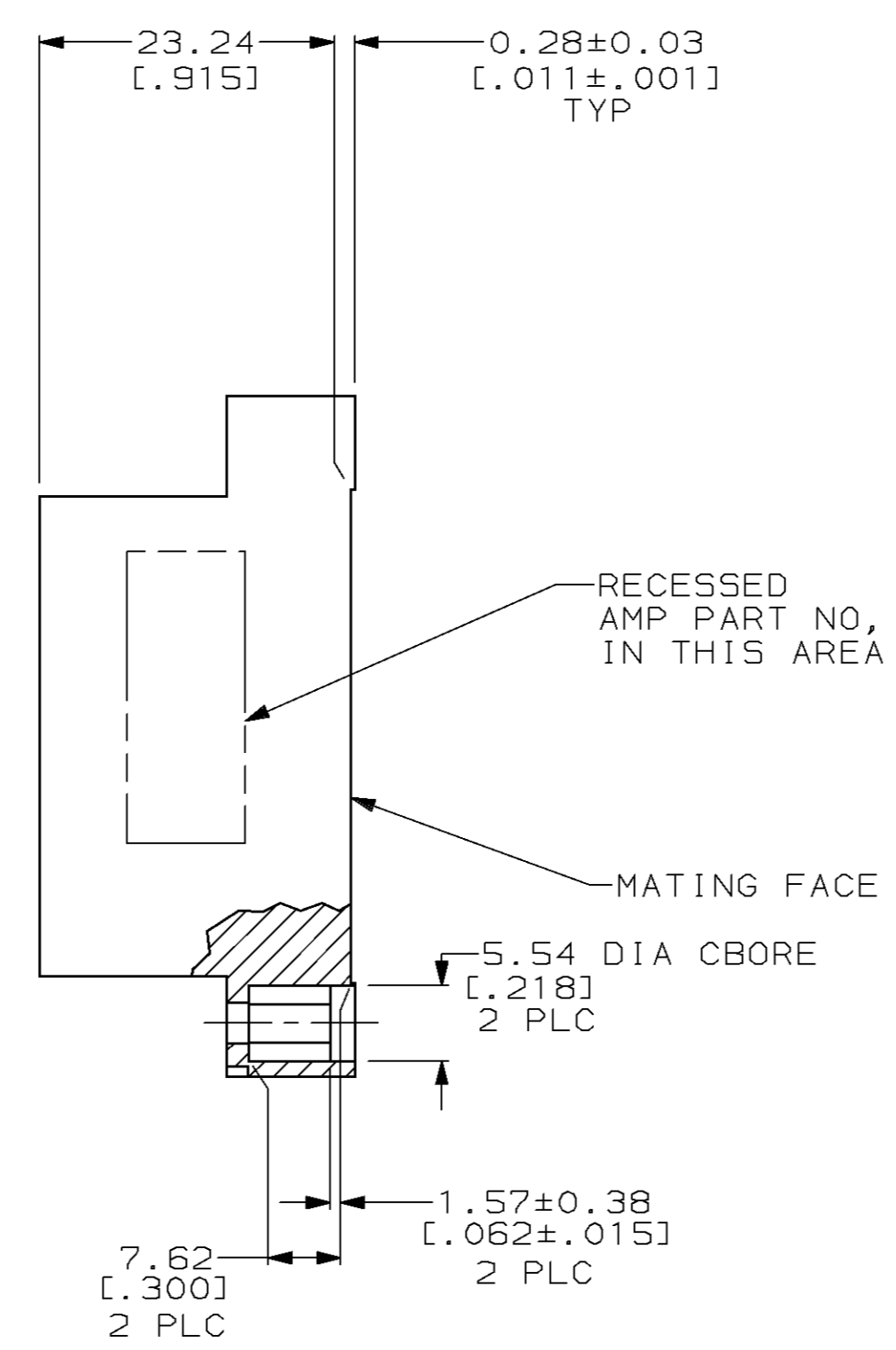
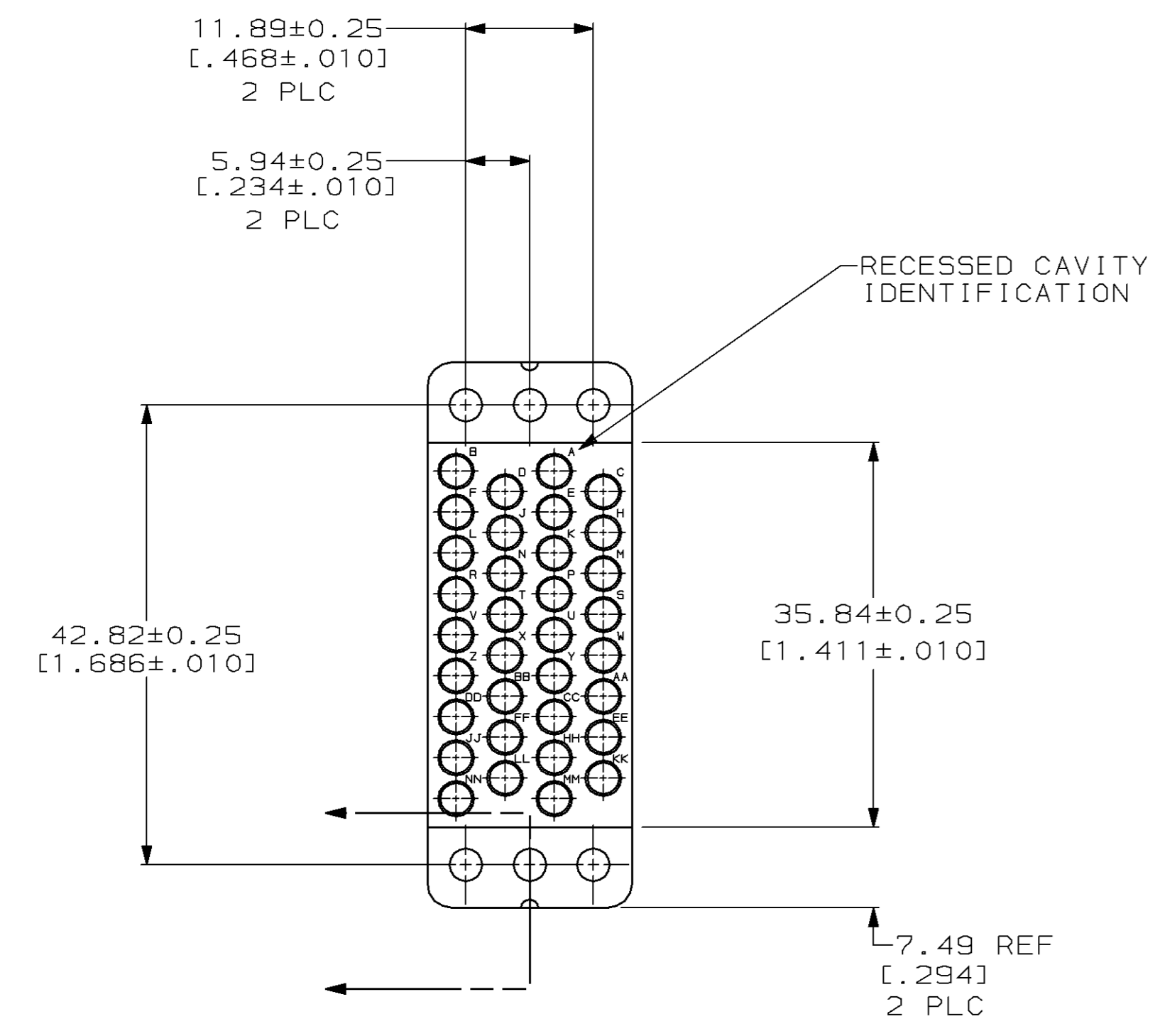


MOD		LOC		DIST		P		ZONE		LTR		REVISIONS			
NO	DATE	BY	CHK	APPD	DATE	DESCRIPTION	DATE	APPD							
2		BD		36								0	RLSE -1 PER NPR 5123 WAS 94-5050-001-05	08/12/94	TC



THIS DRAWING IS A CONTROLLED DOCUMENT FOR AMP INCORPORATED. IT IS SUBJECT TO CHANGE AND THE CONTROLLING ENGINEERING ORGANIZATION SHOULD BE CONTACTED FOR THE LATEST REVISION.

DO NOT SCALE PRINT. UNLESS SPECIFIED DIMENSIONS IN mm [INCHES] TOLERANCES ON: 2 PLC DEC ± 0.13 [.005] 3 PLC DEC ± - ANGLES ± -		DR 08-12-94 D.BROCKWAY	AMP AMP Incorporated Harrisburg, PA 17105-3608 NAME HOUSING, RCPT, 34 POSN, MINIATURE, RECTANGULAR M SERIES		
MATERIAL POLYESTER, BLACK		CHK 09-08-94 R.STONE			
FINISH -		APPD 09-13-94 T.COULSON	APPD 09-13-94 T.COULSON	SIZE D	CAGE CODE 00779
		PRODUCT SPEC -	APPLICATION SPEC -	DRAWING NO C-213802	SCALE 2:1
		WEIGHT -		SHEET 1 OF 1	