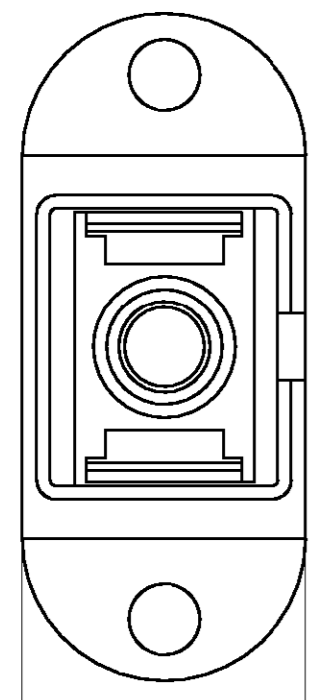
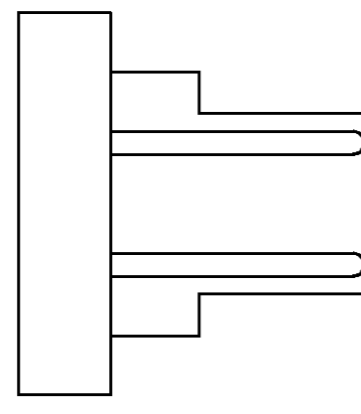


THIS DRAWING IS UNPUBLISHED. RELEASED FOR PUBLICATION .19
 © COPYRIGHT 19 BY AMP INCORPORATED. ALL RIGHTS RESERVED.

REVISIONS				DATE	DWN	APVD
LOC	DIST	P	LTR	DESCRIPTION		
CE	16		H	REVISED PER 00B0-0301-01	22JUN2001	TA 5B

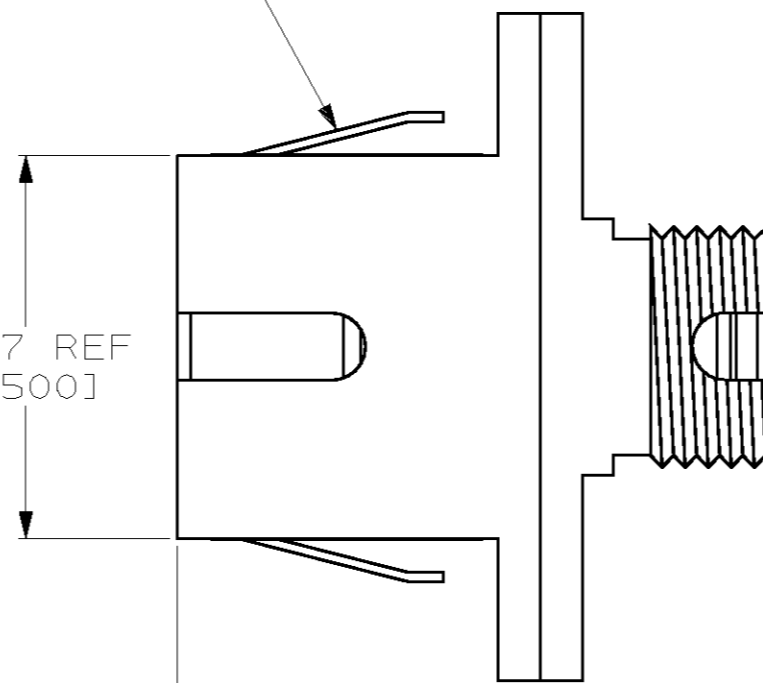


9.3 [.366] REF

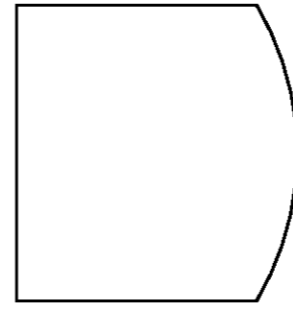


RETENTION CLIP

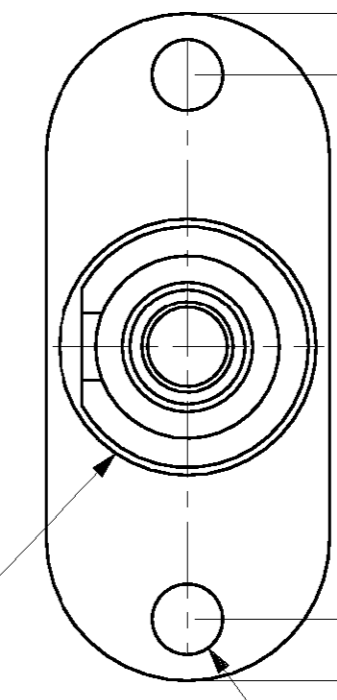
12.7 REF [.500]



21.21 [.835] REF



M8 X 0.75 6g

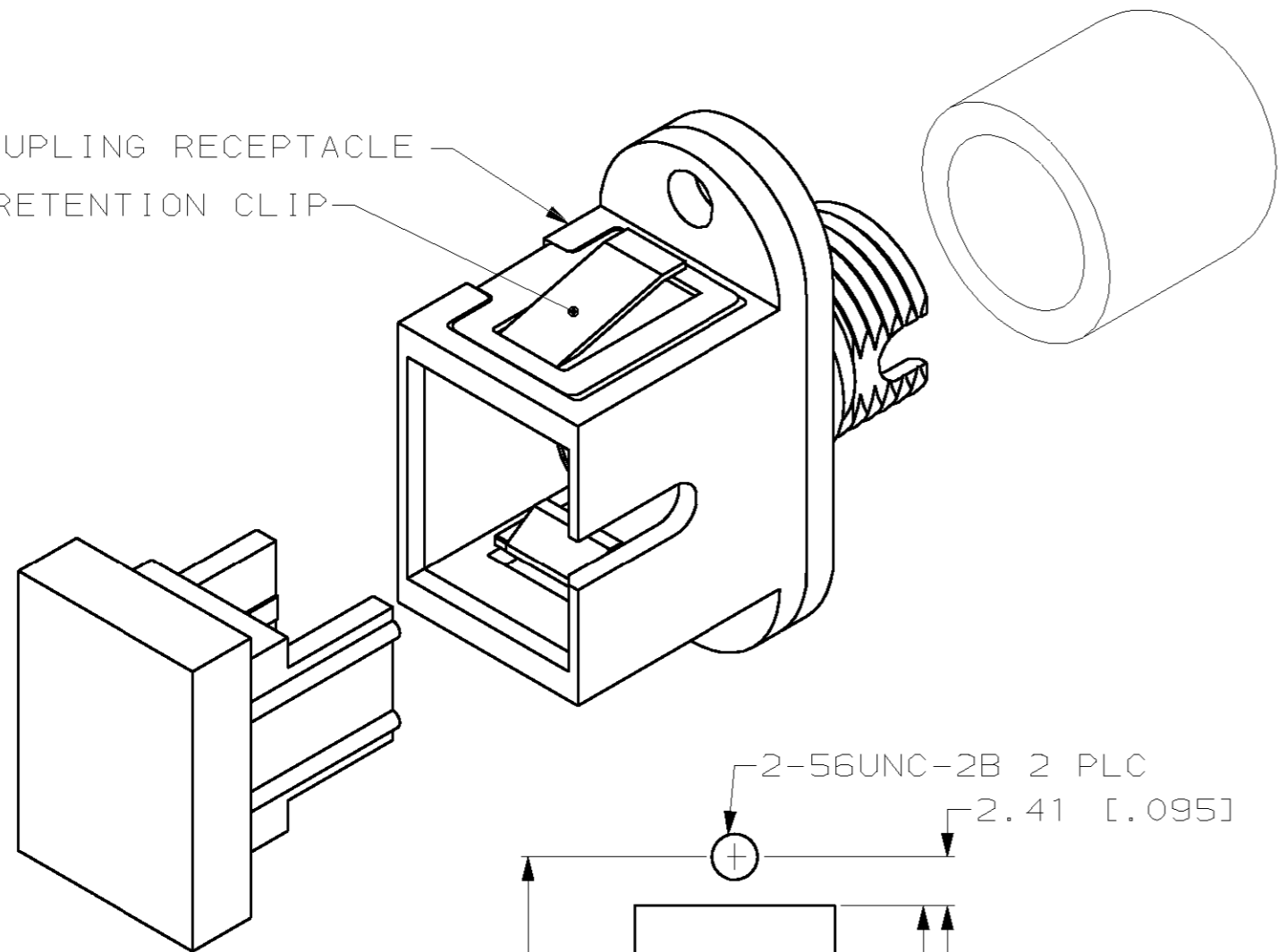


18.03 REF [.710]

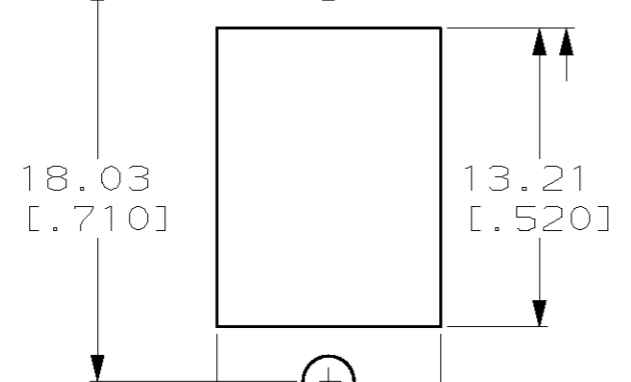
22.1 REF [.870]

∅2.34 [.092] REF 2 PLC

COUPLING RECEPTACLE
RETENTION CLIP



2-56UNC-2B 2 PLC
2.41 [.095]



18.03 [.710]
13.21 [.520]
4.95 [.195]
9.91 [.390]

SUGGESTED PANEL CUTOUT 4

- 1 MATERIAL:
 BODY: THERMOPLASTIC
 RETENTION CLIP: STAINLESS STEEL
 SLEEVE: PHOSPHOR BRONZE
 SLEEVE: ZIRCONIA
 DUST COVER: VINYL
 DUST COVER: THERMOPLASTIC ELASTOMER
- 2. DIMENSIONS IN [] ARE IN INCHES.
- 3 BULK PACKAGE, 50 PIECES.
- 4 RECOMMENDED PANEL THICKNESS 1.60±.10 [.063±.004].

INCLUDED HARDWARE	COLOR	ALIGNMENT SLEEVE	PART NUMBER
NONE	BLACK	CERAMIC	1-502781-4
NONE	BLACK	METAL	1-502781-3
RETENTION CLIP	BEIGE	CERAMIC	1-502781-2
RETENTION CLIP	BLUE	CERAMIC	1-502781-1
RETENTION CLIP	BLACK	CERAMIC	1-502781-0
RETENTION CLIP	BEIGE	METAL	502781-9
RETENTION CLIP	BLUE	METAL	502781-8
RETENTION CLIP	BLACK	METAL	502781-7
RETENTION CLIP	BEIGE	CERAMIC	502781-6
RETENTION CLIP	BLUE	CERAMIC	502781-5
RETENTION CLIP	BLACK	CERAMIC	502781-4
RETENTION CLIP	BEIGE	METAL	502781-3
RETENTION CLIP	BLUE	METAL	502781-2
RETENTION CLIP	BLACK	METAL	502781-1

THIS DRAWING IS A CONTROLLED DOCUMENT.		DWN R.R.SCHAFFER 13JAN98	AMP AMP Incorporated Harrisburg, PA 17105-3608
		CHK D.MULHOLLAND 13JAN98	
DIMENSIONS: mm [INCHES]		APVD J.EBERLE 13JAN98	AMP SC-FC TYPE COUPLING RECEPTACLE, 2.5mm, HYBRID SERIES
TOLERANCES UNLESS OTHERWISE SPECIFIED: 0 PLC ±- 1 PLC ±- 2 PLC ±- 3 PLC ±- 4 PLC ±- ANGLES ±- FINISH -		PRODUCT SPEC - APPLICATION SPEC - WEIGHT -	
MATERIAL 1		SCALE 4:1 SHEET 1 OF 1 REV H	
		CUSTOMER DRAWING	