



Sub-Miniature Pushbutton

## Specifications

Electrical Ratings	3A @ 120VAC, 28VDC 1A @ 250VAC See Contact Options	Travel	0.90 ± 0.15mm
Electrical Life	50,000 cycles typical	Actuation Force	250 ± 150gF
Contact Resistance	<20mΩ initial @ 2-4VDC, 100mA	Dielectric Strength	1500Vrms min
		Insulation Resistance	>100MΩ min
		Operating Temperature	-40°C to 85°C
		Storage Temperature	-40°C to 85°C

## Materials

Actuator	Thermoplastic Polyester
Housing	Diallyl Phthalate (DAP)
Cover	Stainless Steel
Bushing	Brass, Nickel Plated
Contacts	Cooper Alloy, Silver Plated
Terminals	Brass, Silver Plated

## Ordering Information

1. Series	BNP	1	1	S	C	Q	E
BNP							
2. Number of Poles							
1 = Single Pole							
3. Switch Function							
0 = OFF - (ON) For SPST Only							
1 = ON - (ON) For SPDT Only							
4. Bushing							
Blank = Panel Mount Frame							
S / U = 5.59mm, 10-48UNS / Non-threaded, flat							
T = 5.59mm, Non-threaded, round							
V / V1 = 7.87mm, ¼-40NS / Non-threaded, flat							
S9 = 3.20mm, Actuator only							
5. Terminals							
B = Solder Lug							
C = PC pin							
H = Horizontal mount, right angle PC pin; HS = Snap in							
V = Vertical mount, right angle PC pin; VS = Snap in							
A5 = PC pin with support bracket; A5S = Snap in support bracket							
6. Contacts							
Q = Silver plated							
R = Gold plated							
G = Gold over Silver plated							
7. Epoxy Seal							
E = Epoxy Seal							
8. Cap / Frame	See cap options for color availability						
C84							
C85							
C87 Only used with V & V1 bushings							

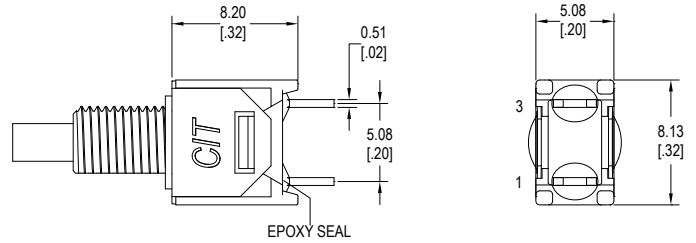
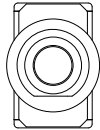
### Switch Function



**SPST**



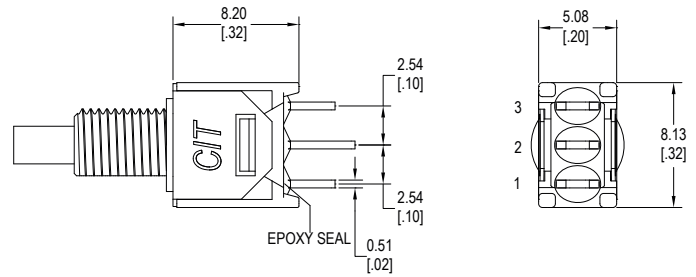
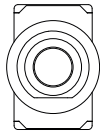
Function	Pushbutton Position	
1	OFF	(ON)
Terminals	--	1-3



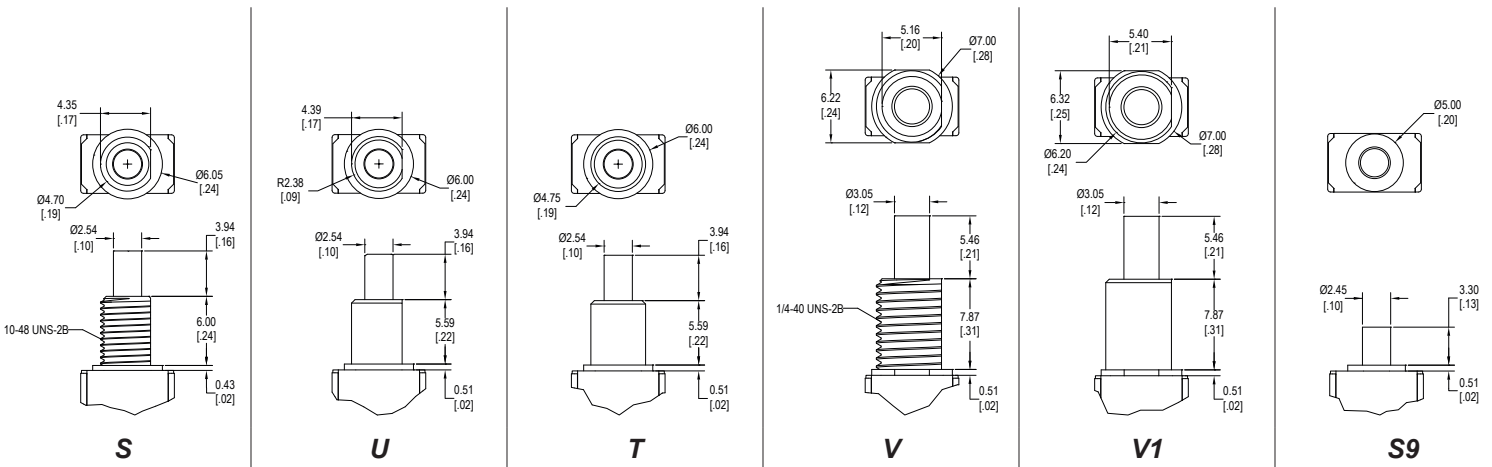
**SPDT**



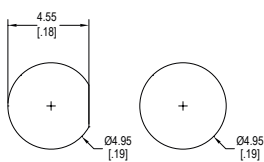
Function	Pushbutton Position	
1	ON	(ON)
Terminals	2-1	2-3



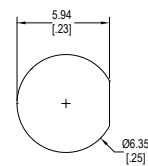
### Bushing Options



### Panel Mounting

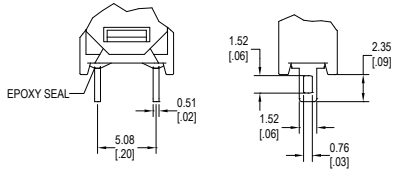


Used with S, U & T Bushings

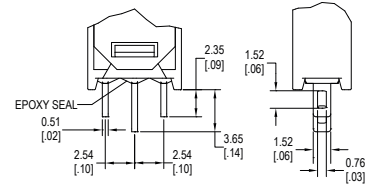


Used with V & V1 Bushings

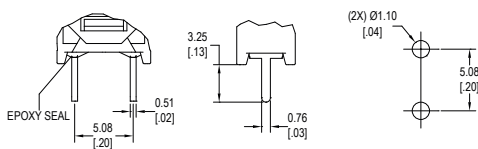
**Terminal Options**



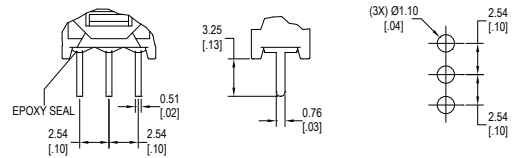
**B**  
single pole, single throw



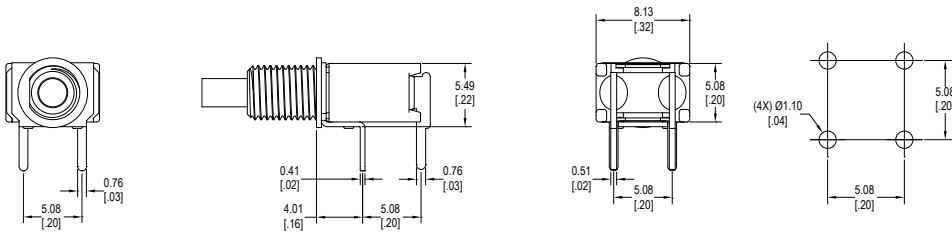
**B**  
single pole, double throw



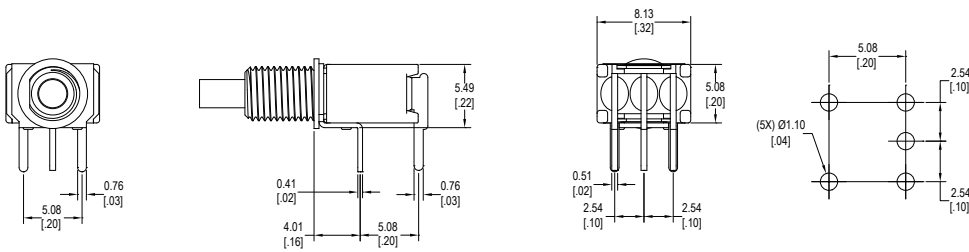
**C**  
single pole, single throw



**C**  
single pole, double throw

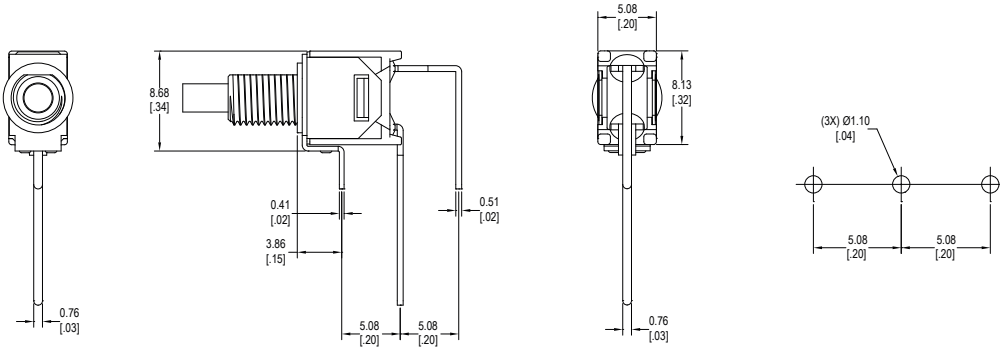


**H (HS - Snap In)**  
Horizontal mount, right angle PC pins, single pole, single throw



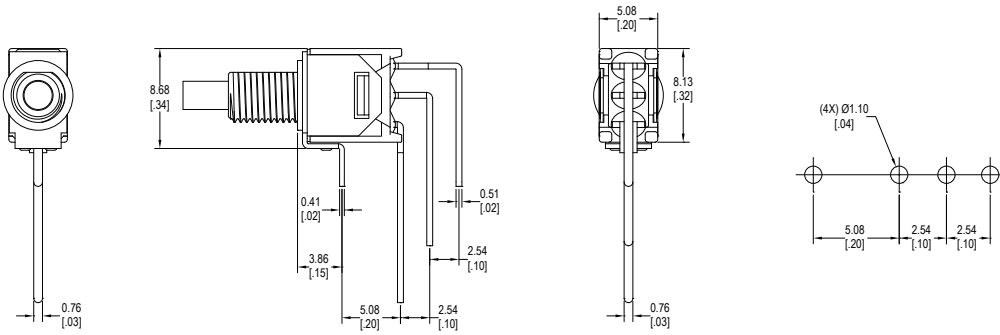
**H (HS - Snap In)**  
Horizontal mount, right angle PC pins, single pole, double throw

**Terminal Options**



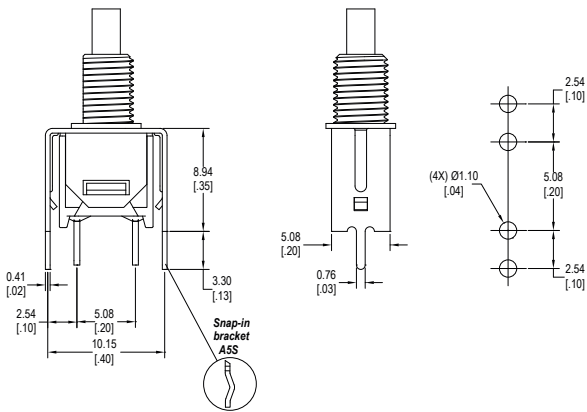
**V (VS - Snap In)**

Vertical mount, right angle PC pins, single pole, single throw



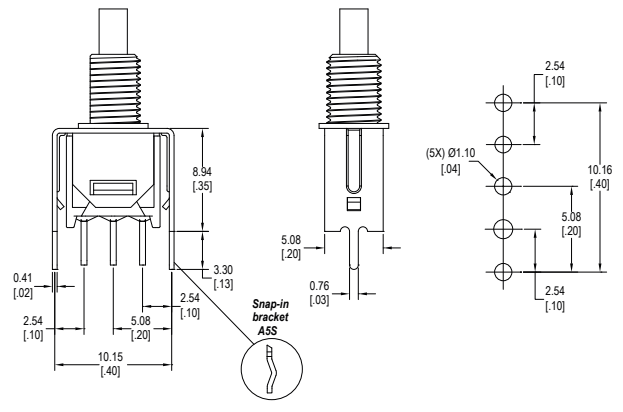
**V (VS - Snap In)**

Vertical mount, right angle PC pins, single pole, double throw



**A5 (A5S - Snap in bracket)**

PC pins with support bracket, single pole single throw



**A5 (A5S - Snap in bracket)**

PC pins with support bracket, single pole double throw

## Contact Options

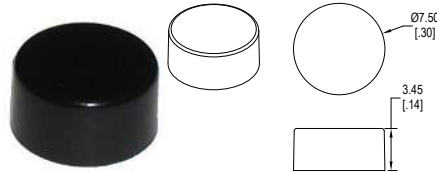
Designator	Contact Material	Terminal Material	Electrical Ratings
Q	Silver Plating	Silver Plating	3A @ 120VAC, 28VDC; 1A @ 250VAC
R	Gold over Nickel Plating	Gold over Nickel Plating	0.4VA max @ 20VAC or VDC max
G	Gold over Silver Plating	Gold over Silver Plating	0.4VA max @ 20VAC or VDC max or 3A @ 120VAC, 28VDC; 1A @ 250VAC

## Cap Options



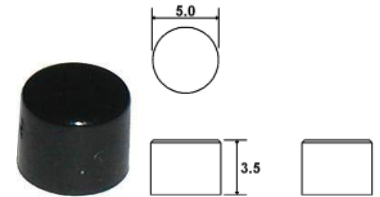
**C84\_**

1 = White, 2 = Black, 3 = Red  
Contact Factory for other available colors



**C85\_**

1 = White, 2 = Black, 3 = Red  
Contact Factory for other available colors

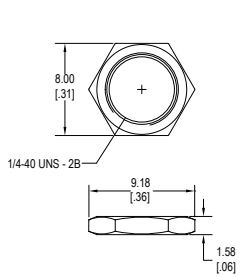


**C87\_**

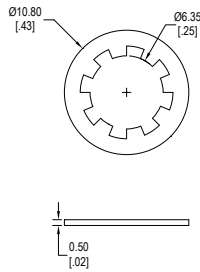
1 = White, 2 = Black, 3 = Red  
Contact Factory for other available colors  
Only for use with V & V1 Bushings

**Hardware**

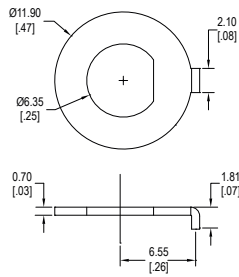
Two hex nuts, one lock washer & one locking ring supplied standard with threaded bushings



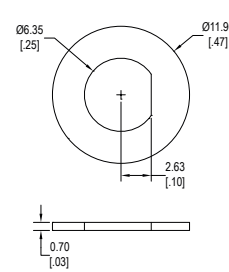
**Hex Nut**  
1/4 - 40



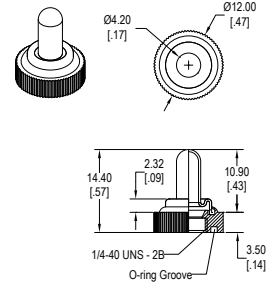
**Lock Washer**



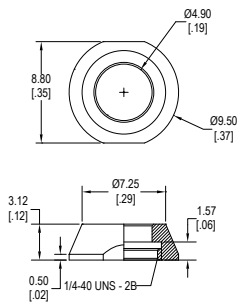
**Locking Ring**  
D Tab



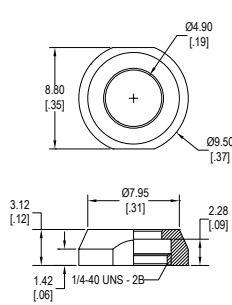
**Washer**  
D Flat



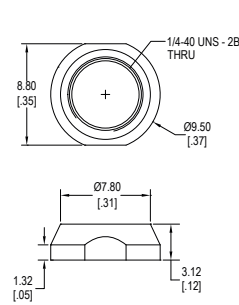
**E - Sealed Boot**  
Knurled Nut



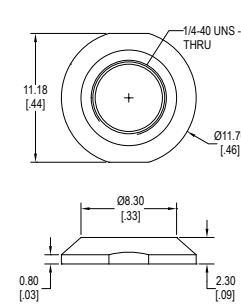
**A**



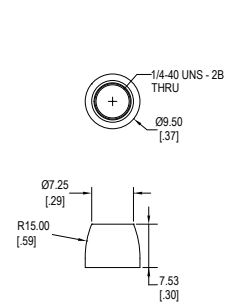
**B**



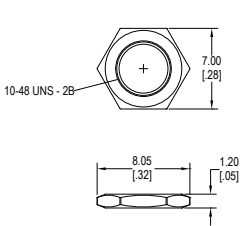
**C**



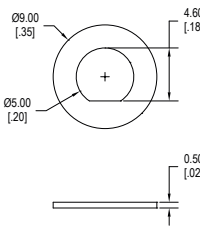
**D**



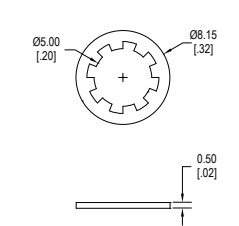
**E**



**#10 Hex Nut**



**#10 D Flat Washer**



**#10 Lock Washer**