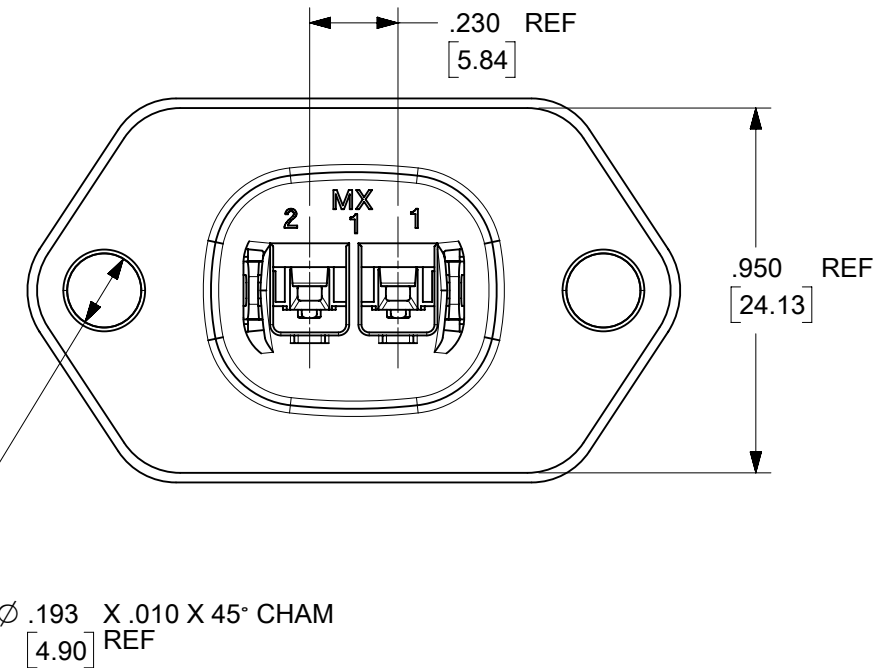
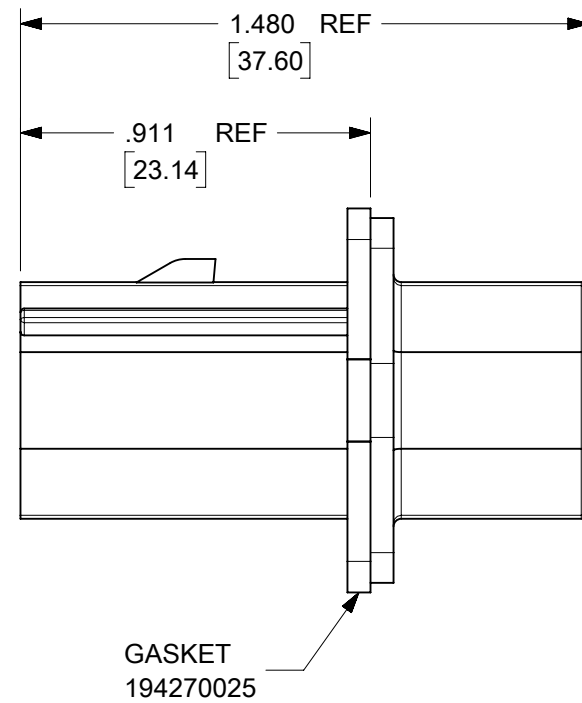
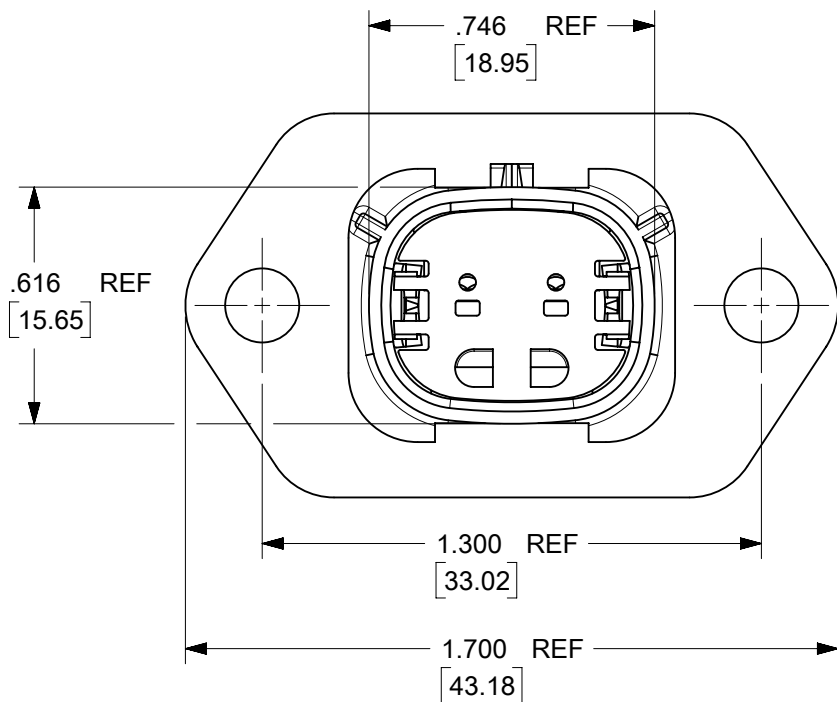


ASSEMBLED VIEW
SCALE 1:1

RECOMMENDED PANEL
MOUNT OPENING
MAX PANEL THK .080/2.03



194290041	YES
194290026	NO
MATERIAL NUMBER	GASKET

- NOTES:
- MATERIALS: HOUSING: SYNDIOTACTIC POLYSTYRENE (SPS), GLASS FILLED, UL94 V-0,COLOR: BLACK
GASKET: EPDM RUBBER
 - PRODUCT SPECIFICATION: PS-19417-001.
 - PACKAGING SPECIFICATION: PK-19429-001.
GASKETS, IF REQUIRED FOR THE ASSEMBLIES,ARE BULK PACKAGED IN A SEPARATE BAG.
 - MATES WITH: 19418 SERIES RECEPTACLE ASSEMBLIES.
 - USE CONNECTOR WITH MALE CRIMP TERMINAL: SERIES 19417.
 - RECOMMENDED MOUNTING HARDWARE: (2)#10 X .62/15.8 LONG PLASTIC THREAD CUTTING SCREWS. RECOMMENDED TORQUE 15-17 IN-LBS.
SUGGESTED SOURCE: ITW SHAKEPROOF INDUSTRIAL BOSSCREW OR EQUIVALENT.
 - ASSEMBLY IS ROHS COMPLIANT.

THIS DRAWING CONTAINS INFORMATION THAT IS PROPRIETARY TO MOLEX ELECTRONIC TECHNOLOGIES, LLC AND SHOULD NOT BE USED WITHOUT WRITTEN PERMISSION									
FUNCTIONAL SYMBOLS	DIMENSION UNITS	SCALE	CURRENT REV DESC: REDRAWN IN NX & HSG MATERIAL UPDATED						
$\frac{F}{A} = 0$	in/[mm]	2:1	molex 2-WAY PLUG PANEL MOUNT ASSEMBLY W/O BOSS 22-14 AWG PRODUCT CUSTOMER DRAWING						
$\frac{E}{E} = 0$	GENERAL TOLERANCES (UNLESS SPECIFIED)								
$\frac{E}{E} = 0$	MM	INCH							
DIVISIONAL SYMBOLS	4 PLACES	±	±	EC NO: 690910	2021/12/21	DOCUMENT NUMBER: SD-19429-009 DOC TYPE: PSD DOC PART: 001 REVISION: C			
	3 PLACES	±	± 0.015	DRWN: RMV02	2022/01/05				
	2 PLACES	± 0.38	±	CHK'D: DMYRICK	2022/01/06	MATERIAL NUMBER: SEE CHART CUSTOMER: GENERAL MARKET SHEET NUMBER: 1 OF 1			
	1 PLACE	±	±	APPR: JMACNEIL					
	0 PLACES	±	±	INITIAL REVISION:		DRAFT WHERE APPLICABLE MUST REMAIN WITHIN DIMENSIONS			
	ANGULAR TOL	± 1.0°		DRWN: DMYRICK	2004/07/15				