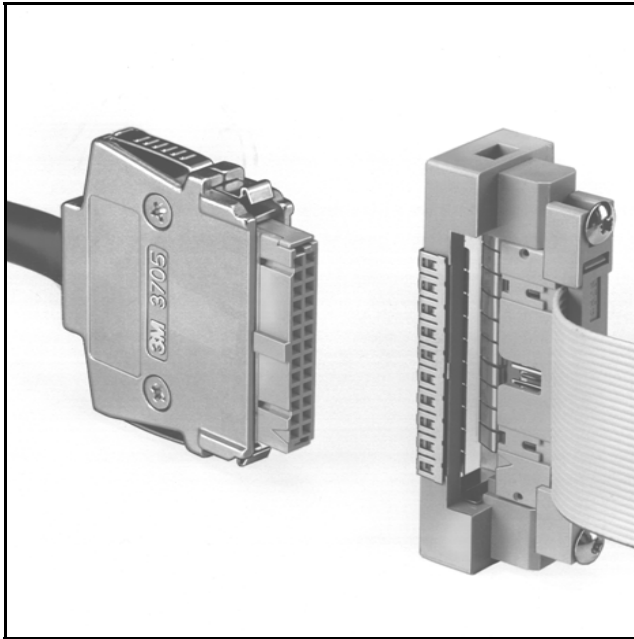


# 3M™ Accessories

.100" × .100" EMI System

3705/3706 Series



- Spring latch attachment allows quick, easy connect/disconnect
- Fits existing 3M™ connectors
- Intra-cabinet grounding eliminates pigtailed/drain wires and need for grounding clamps
- Cast aluminum shell offers excellent ground for EMI/ ESD
- RoHS\* compliant

Date Modified: July 18, 2008

TS-0098-B  
Sheet 1 of 4

## Physical

### Shell

Material: Die Cast Aluminum Alloy  
Plating: 200 μ" [ 5.08μm ] Minimum Nickel

### Latch

Material: Stainless Steel  
Plating: 100 μ" [ 2.54μm ] Minimum Nickel

### Cable Clamp

Material: Copper Alloy  
Plating: 75 μ" [ 1.91μm ] Minimum Nickel

### Receptacle

Insulation Material: Glass Filled Polyester (PBT)  
Flammability Rating: UL 94V-0

### Ground Plate

Material: Copper Alloy  
Plating: 100 μ" [ 2.54μm ] Minimum Nickel

### Retaining Clip

Material: Stainless Steel  
Plating: 100 μ" [ 2.54μm ] Minimum Nickel

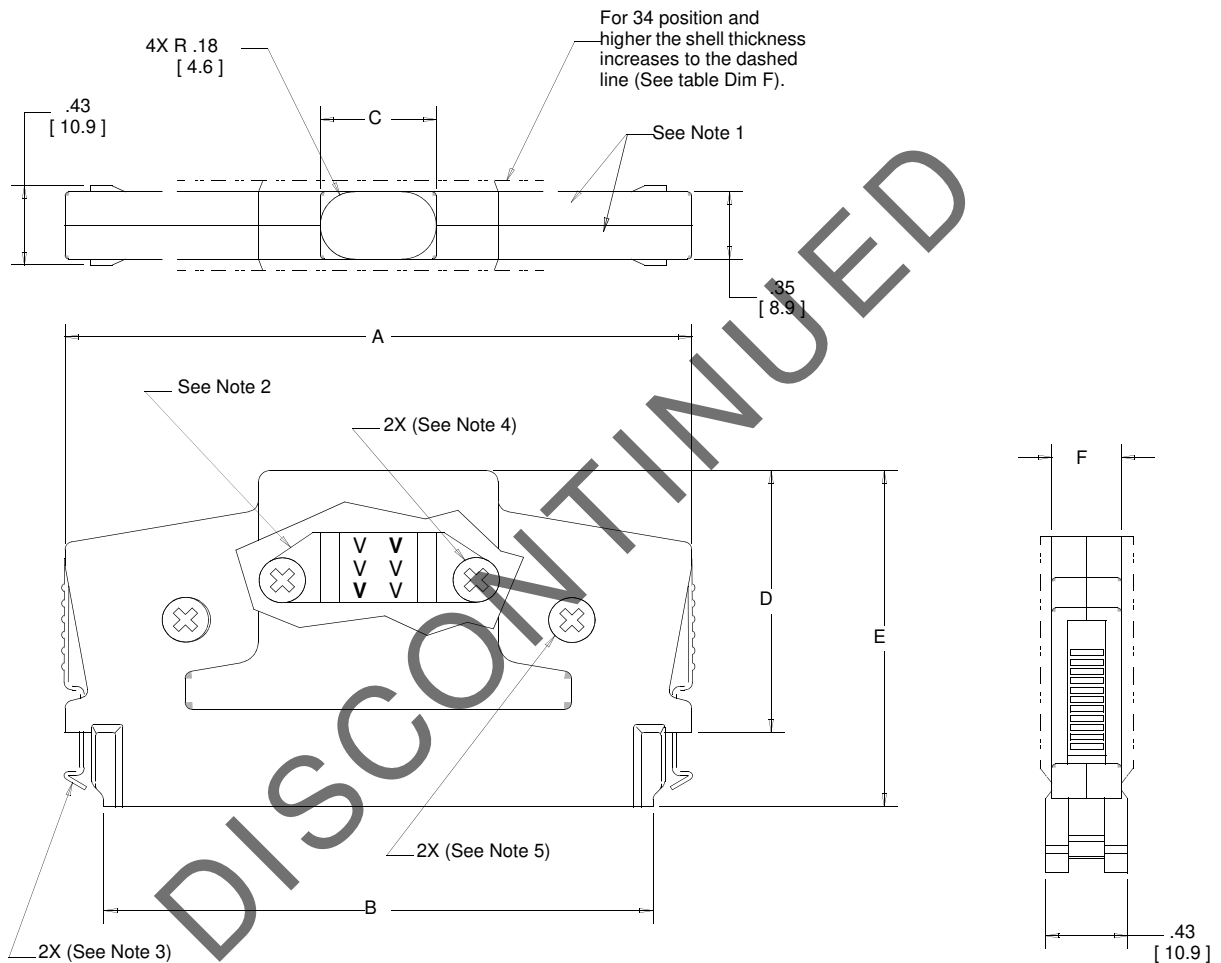
\* RoHS = Directive 2002/95/EC, Restriction of the Use of Certain Hazardous Substances in Electrical and Electronic Equipment  
"RoHS compliant" means that the product or part does not contain any of the following substances in excess of the following maximum concentration values in any homogeneous material, unless the substance is in an application that is exempt under RoHS: (a) 0.1% (by weight) for lead, mercury, hexavalent chromium, polybrominated biphenyls or polybrominated diphenyl ethers; or (b) 0.01% (by weight) for cadmium. Unless otherwise stated by 3M in writing, this information represents 3M's knowledge and belief based upon information provided by third party suppliers to 3M.

# 3M™ Accessories

.100" × .100" EMI System

3705/3706 Series

Position	Dimensions					
	A	B	C	D	E	F
20	1.69 [ 42.9 ]	1.50 [ 38.1 ]	0.39 [ 9.9 ]	1.26 [ 32.0 ]	1.65 [ 41.9 ]	0.35 [ 8.9 ]
26	1.99 [ 50.5 ]	1.80 [ 45.7 ]	0.43 [ 10.9 ]	1.26 [ 32.0 ]	1.65 [ 41.9 ]	0.35 [ 8.9 ]
34	2.39 [ 60.7 ]	2.20 [ 55.9 ]	0.47 [ 11.9 ]	1.32 [ 33.5 ]	1.71 [ 43.4 ]	0.47 [ 11.9 ]
40	2.69 [ 68.3 ]	2.50 [ 63.5 ]	0.51 [ 13.0 ]	1.32 [ 33.5 ]	1.71 [ 43.4 ]	0.47 [ 11.9 ]
50	3.19 [ 81.0 ]	2.80 [ 71.1 ]	0.59 [ 15.0 ]	1.38 [ 35.1 ]	1.77 [ 45.0 ]	0.47 [ 11.9 ]
60	3.69 [ 93.7 ]	3.30 [ 83.8 ]	0.67 [ 17.0 ]	1.38 [ 35.1 ]	1.77 [ 45.0 ]	0.47 [ 11.9 ]



**Notes:**

1. Two Shell Halves: Aluminum Alloy Die Casting, Plating-200µ" [ 5.0 µm ] Nickel Min.
2. One Cable Clamp: Copper Alloy, Plating 75µ" [ 2.0 µm ] Nickel Min.
3. Two Latches: Stainless Steel, Plating 100µ" [ 2.54 µm ] Nickel Min.
4. Two Roundhead Screws: M3 x 0.5 mm x 4 mm long.
5. Two Flathead screws: M3 x 0.5 mm x 6 mm Long.

Inch		
[ mm ]		
Tolerance Unless Noted		
	.0	.00 .000
inch	±.1	±.01 ±.005

[ ] Dimensions for Reference Only

## Ordering Information

**Shell Kit**  
**3705-A2XX**

Position: See Table

Note: Wiremount Shell Kit to be used with respective Socket and Cable (Order Separately)

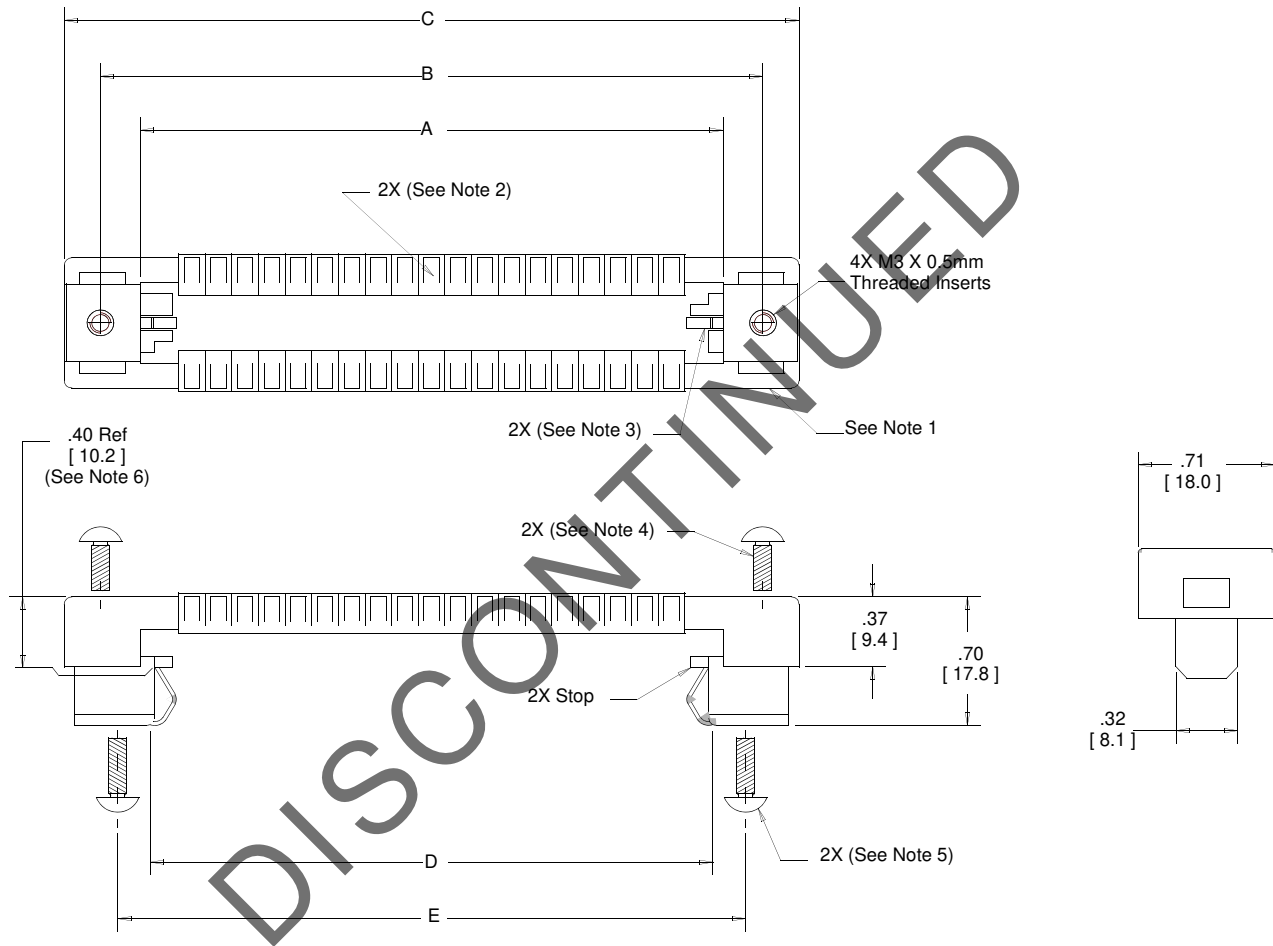
TS-0098-B  
Sheet 2 of 4

# 3M™ Accessories

.100" × .100" EMI System

3705/3706 Series

Position	Dimensions				
	A	B	C	D	E
20	1.53 [ 38.9 ]	1.98 [ 50.3 ]	2.36 [ 59.9 ]	1.41 [ 35.8 ]	1.79 [ 45.5 ]
26	1.83 [ 46.5 ]	2.28 [ 57.9 ]	2.66 [ 67.6 ]	1.71 [ 43.4 ]	2.09 [ 53.1 ]
34	2.23 [ 56.6 ]	2.69 [ 68.3 ]	3.06 [ 77.7 ]	2.11 [ 53.6 ]	2.49 [ 63.2 ]
40	2.53 [ 64.3 ]	2.98 [ 75.7 ]	3.36 [ 85.3 ]	2.41 [ 61.2 ]	2.79 [ 70.9 ]
50	3.03 [ 77.0 ]	3.48 [ 88.4 ]	3.86 [ 98.0 ]	2.91 [ 73.9 ]	3.37 [ 85.6 ]
60	3.53 [ 89.7 ]	3.98 [ 101.1 ]	4.36 [ 110.7 ]	3.41 [ 86.6 ]	3.87 [ 98.3 ]



**Notes:**

1. One Bracket: PBT, Flammability Rating: UL 94V-0.
2. Two Ground Plates: Copper Alloy, Plating-100 μ" [ 2.54 μm ] Nickel Min.
3. Two Retaining Clips: Stainless Steel, Plating-100 μ" [ 2.54 μm ] Nickel Min.
4. Two Roundhead Screws: M3 x 6mm Long.
5. Two Roundhead Screws: M3 x 0.5mm x 10mm Long. (For use with Plug Connector).
6. This is the recommended distance from the inside of the panel to the front face of the Header or Plug.

**Ordering Information**

**Receptacle Kit  
3706-50XX**

Position: See Table

Note: Panel Mount Receptacle Kit to be used with respective Plug or Header (Order Separately).

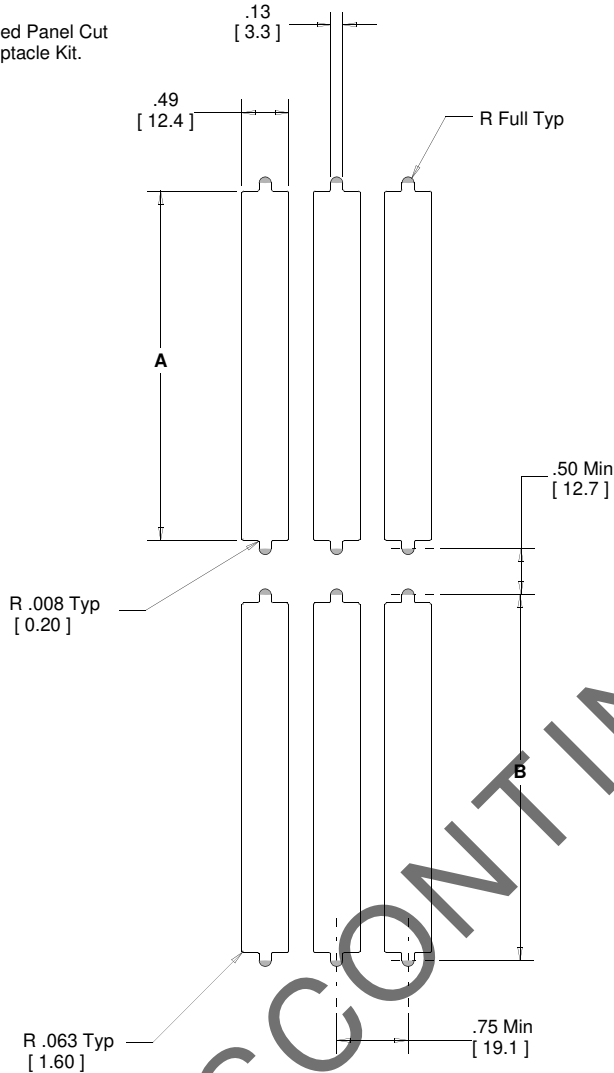
TS-0098-B  
Sheet 3 of 4

# 3M™ Accessories

.100" × .100" EMI System

3705/3706 Series

Recommended Panel Cut  
Out for Receptacle Kit.



Position	Dimensions	
	A	B
20	1.80 [ 45.7 ]	1.98 [ 50.3 ]
26	2.10 [ 53.3 ]	2.28 [ 57.9 ]
34	2.50 [ 63.5 ]	2.69 [ 68.3 ]
40	2.80 [ 71.1 ]	2.98 [ 75.7 ]
50	3.30 [ 83.8 ]	3.48 [ 88.5 ]
60	3.80 [ 96.5 ]	3.98 [ 101.1 ]

DISCONTINUED

Position	3705 Shell Kit	For use with: (Order Separately)		3706 Mates with: Receptacle Kit	For use with: (Order Separately)	
		Socket	Cable		Header	Plug
20	<b>3705-A220</b>	3421-7620	3659/20	<b>3706-5020</b>	2520-500X	4620-6000
26	<b>3705-A226</b>	3399-7626	3659/26	<b>3706-5026</b>	2526-500X	4626-6000
34	<b>3705-A234</b>	3414-7634	3659/34	<b>3706-5034</b>	2534-500X	4634-6000
40	<b>3705-A240</b>	3417-7640	3659/40	<b>3706-5040</b>	2540-500X	4640-6000
50	<b>3705-A250</b>	3425-7650	3659/50	<b>3706-5050</b>	2550-500X	4650-6000
60	<b>3705-A260</b>	3334-7660	3659/60	<b>3706-5060</b>	2560-500X	4660-6000

Note: Shell and Receptacle Kits are available. They consist of a complete Shell Kit and a complete Receptacle Kit for a respective pin count.

TS-0098-B  
Sheet 4 of 4

# Regulatory Information Appendix

## 3M Electronic Solutions Division/Interconnect

### EUROPE

#### Appendix E1: European Union RoHS

Directive 2002/95/EC, Restriction of the Use of Certain Hazardous Substances in Electrical & Electronic Equipment, as amended by EU Commission Decision 2005/618/EC.

**This product is RoHS Compliant 2005/95/EC.**

“RoHS Compliant 2005/95/EC” means that the product or part (“Product”) does not contain any of the substances in excess of the maximum concentration values in EU Directive 2002/95/EC, as amended by Commission Decision 2005/618/EC, unless the substance is in an application that is exempt under EU RoHS. Unless otherwise stated by 3M in writing, this information represents 3M’s best knowledge and belief based upon information provided by third party suppliers to 3M.

In the event any product is proven not to conform with 3M’s Regulatory Information Appendix, then 3M’s entire liability and Buyer’s exclusive remedy will be in accordance with the Warranty stated below.

#### Appendix E2: European Union RoHS

Directive 2002/95/EC, Restriction of the Use of Certain Hazardous Substances in Electrical & Electronic Equipment, as amended by EU Commission Decision 2005/618/EC.

**This product contains lead in the compliant pin area in excess of the maximum concentration value allowed but is compliant by exemption under EU Commission Decision 2005/747/EC.**

“RoHS Compliant 2005/95/EC” means that the product or part (“Product”) does not contain any of the substances in excess of the maximum concentration values in EU Directive 2002/95/EC, as amended by Commission Decision 2005/618/EC, unless the substance is in an application that is exempt under EU RoHS. Unless otherwise stated by 3M in writing, this information represents 3M’s best knowledge and belief based upon information provided by third party suppliers to 3M.

In the event any product is proven not to conform with 3M’s Regulatory Information Appendix, then 3M’s entire liability and Buyer’s exclusive remedy will be in accordance with the Warranty stated below.

#### Appendix E3: European Union RoHS

Directive 2002/95/EC, Restriction of the Use of Certain Hazardous Substances in Electrical & Electronic Equipment as amended by Commission Decision 2005/618/EC.

**This product contains lead in the solder tail area in excess of the maximum concentration value allowed.**

Unless otherwise stated by 3M in writing, this information represents 3M’s best knowledge and belief based upon information provided by third party suppliers to 3M.

In the event any product is proven not to conform with 3M’s Regulatory Information Appendix, then 3M’s entire liability and Buyer’s exclusive remedy will be in accordance with the Warranty stated below.

#### Appendix E4: European Union RoHS

Directive 2002/95/EC, Restriction of the Use of Certain Hazardous Substances in Electrical & Electronic Equipment, as amended by EU Commission Decision 2005/618/EC, as amended by EU Commission Decision 2005/717/EC, as amended by EU Court of Justice Decision 2008/C 116/04

**This product contains decaBDE in the insulating material in excess of the maximum concentration allowed for finished products subject to EU RoHS that are placed on the EU market after June 30, 2008.**

Unless otherwise stated by 3M in writing, this information represents 3M’s best knowledge and belief based upon information provided by third party suppliers to 3M.

In the event any product is proven not to conform with 3M’s Regulatory Information Appendix, then 3M’s entire liability and Buyer’s exclusive remedy will be in accordance with the Warranty stated below.

## Appendix E5: European Union RoHS

Directive 2002/95/EC, Restriction of the Use of Certain Hazardous Substances in Electrical and Electronic Equipment, as amended by EU Commission Decision 2005/618/EC.

**This product contains lead in excess of the maximum concentration value allowed but is compliant by exemption under Item 6 of the Annex to the Directive.**

“RoHS Compliant 2005/95/EC” means that the product or part (“Product”) does not contain any of the substances in excess of the maximum concentration values in EU Directive 2002/95/EC, as amended by Commission Decision 2005/618/EC, unless the substance is in an application that is exempt under EU RoHS. Unless otherwise stated by 3M in writing, this information represents 3M’s best knowledge and belief based upon information provided by third party suppliers to 3M.

In the event any product is proven not to conform with 3M’s Regulatory Information Appendix, then 3M’s entire liability and Buyer’s exclusive remedy will be in accordance with the Warranty stated below.

## CHINA

### Appendix C1: China RoHS



Electronic Industry Standard of the People’s Republic of China, SJ/T11363-2006, Requirements for Concentration Limits for Certain Hazardous Substances in Electronic Information Products.

This symbol, per Marking for the Control of Pollution Caused by Electronic Information Products, SJ/T11364-2006, means that the product or part **does not** contain any of the following substances in excess of the following maximum concentration values in any homogeneous material: (a) 0.1% (by weight) for lead, mercury, hexavalent chromium, polybrominated biphenyls or polybrominated diphenyl ethers (excluding decaBDE); or (b) 0.01% (by weight) for cadmium. Unless otherwise stated by 3M in writing, this information represents 3M’s best knowledge and belief based upon information provided by third party suppliers to 3M.

In the event any product is proven not to conform with 3M’s Regulatory Information Appendix, then 3M’s entire liability and Buyer’s exclusive remedy will be in accordance with the Warranty stated below.

### Appendix C2: China RoHS



Electronic Industry Standard of the People’s Republic of China, SJ/T11363-2006, Requirements for Concentration Limits for Certain Hazardous Substances in Electronic Information Products.

This symbol, per Marking for the Control of Pollution Caused by Electronic Information Products, SJ/T11364-2006, means that the product or part **does** contain a substance, as detailed in the chart below, in excess of the following maximum concentration values in any homogeneous material: (a) 0.1% (by weight) for lead, mercury, hexavalent chromium, polybrominated biphenyls or polybrominated diphenyl ethers (excluding decaBDE); or (b) 0.01% (by weight) for cadmium. Unless otherwise stated by 3M in writing, this information represents 3M’s best knowledge and belief based upon information provided by third party suppliers to 3M.

The numerical reference in the symbol above should not be construed as a representation regarding the product’s life or an extension of a product warranty. The product warranty is stated below. In the event any product is proven not to conform with 3M’s Regulatory Information Appendix, then 3M’s entire liability and Buyer’s exclusive remedy will be in accordance with the product Warranty stated below.

产品中有毒有害物质或元素的名称及含量 Name and Content of Hazardous Substances or Elements

部件名称 (Part or Component Name)	有毒有害物质或元素 (Hazardous Substances or Elements)					
	铅(Pb)	汞(Hg)	镉(Cd)	六价铬(Cr(VI))	多溴联苯(PBB)	多溴二苯醚(PBDE)
端子镀层(contact plating)	×	○	○	○	○	○
○: 表示该有毒有害物质在该部件所有均质材料中的含量均在SJ/T11363-2006 标准规定的限量要求以下。(Indicates that this hazardous substance contained in all of the homogeneous materials for this part is below the limit requirement in SJ/T11363-2006.)						
×: 表示该有毒有害物质至少在该部件的某一均质材料中的含量超出SJ/T11363-2006 标准规定的限量要求。(Indicates that this hazardous substance contained in at least one of the homogeneous materials used for this part is above the limit requirement in SJ/T11363-2006.)						

# Appendix C3: China RoHS

Electronic Industry Standard of the People's Republic of China, SJ/T11363-2006, Requirements for Concentration Limits for Certain Hazardous Substances in Electronic Information Products.

This symbol, per Marking for the Control of Pollution Caused by Electronic Information Products, SJ/T11364-2006, means that the product or part **does** contain a substance, as detailed in the chart below, in excess of the following maximum concentration values in any homogeneous material: (a) 0.1% (by weight) for lead, mercury, hexavalent chromium, polybrominated biphenyls or polybrominated diphenyl ethers (excluding decaBDE); or (b) 0.01% (by weight) for cadmium. Unless otherwise stated by 3M in writing, this information represents 3M's best knowledge and belief based upon information provided by third party suppliers to 3M.

The numerical reference in the symbol above should not be construed as a representation regarding the product's life or an extension of a product warranty. The product warranty is stated below. In the event any product is proven not to conform with 3M's Regulatory Information Appendix, then 3M's entire liability and Buyer's exclusive remedy will be in accordance with the product Warranty stated below.

产品中有毒有害物质或元素的名称及含量 Name and Content of Hazardous Substances or Elements

部件名称 (Part or Component Name)	有毒有害物质或元素 (Hazardous Substances or Elements)					
	铅(Pb)	汞(Hg)	镉(Cd)	六价铬(Cr(VI))	多溴联苯(PBB)	多溴二苯醚(PBDE)
合金(Metal alloy)	×	○	○	○	○	○
<p>○：表示该有毒有害物质在该部件所有均质材料中的含量均在SJ/T11363-2006 标准规定的限量要求以下。(Indicates that this hazardous substance contained in all of the homogeneous materials for this part is below the limit requirement in SJ/T11363-2006.)</p> <p>×：表示该有毒有害物质至少在该部件的某一均质材料中的含量超出SJ/T11363-2006 标准规定的限量要求。(Indicates that this hazardous substance contained in at least one of the homogeneous materials used for this part is above the limit requirement in SJ/T11363-2006.)</p>						

### Important Notice

All statements, technical information, and recommendations related to 3M's products are based on information believed to be reliable, but the accuracy or completeness is not guaranteed. Before using this product, you must evaluate it and determine if it is suitable for your intended application. You assume all risks and liability associated with such use. Any statements related to the product which are not contained in 3M's current publications, or any contrary statements contained on your purchase order shall have no force or effect unless expressly agreed upon, in writing, by an authorized officer of 3M.

### Warranty; Limited Remedy; Limited Liability.

This product will be free from defects in material and manufacture for a period of 90 days from the time of purchase. **3M MAKES NO OTHER WARRANTIES INCLUDING, BUT NOT LIMITED TO, ANY IMPLIED WARRANTY OF MERCHANTABILITY OR FITNESS FOR A PARTICULAR PURPOSE.** If this product is defective within the warranty period stated above, your exclusive remedy shall be, at 3M's option, to replace or repair the 3M product or refund the purchase price of the 3M product. **Except where prohibited by law, 3M will not be liable for any indirect, special, incidental or consequential loss or damage arising from this 3M product, regardless of the legal theory asserted.**



### 3M Electronics Solutions Division

6801 River Place Blvd.  
Austin, TX 78726-9000  
U.S.A.  
1-800-225-5373  
www.3m.com/interconnects

Please recycle. Printed in USA.  
© 3M 2008. All rights reserved.  
RIA-2217A-E

3M is a trademark of 3M Company.