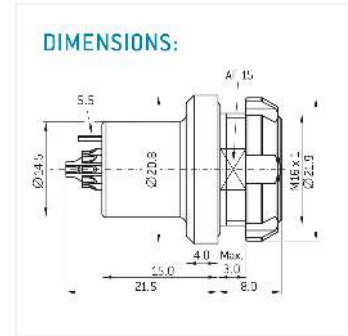
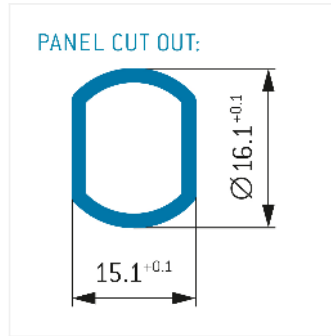
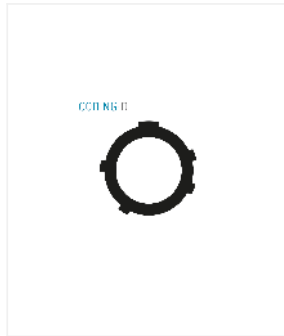


General information

Part number	G82YDR-PD8WJG0-000L
Termination	solder
Size	2
Locking principle	break , push
Coding	d_key_amc
Cable Diameter	cabl_e_amc_2



Contact insert description

Number of contacts	8
Contact type	sockets
Contact diameter	09mm
Insulator material	peek
Wire cross section	22_awg
Termination	solder
Termination diameter	085mm
Data transmission	ethernet_10

reverse_gender_on_request

Connection diagram

con_ethernet_10

Technical information

Nominal current single contact	10_a	iec_60512_5_2
Nominal current insert	6,5_A	vde_0298_4
Test voltage	15_kv_ac	eia_364_20f

safety_text

Mechanical and environmental data

Degree of protection*	ipsk8_ip6k9k
Operating temperature	51_125_c
Mating cycles	5000

mated

Material and surface treatments

Housing	ruthenium
Contact	cu_alloy_gold

data_text

safety_text_2
data_text
ul_text
illustrative_text