



Mechanical Products Company

SERIES 32

RAISING THE BAR
MP - COUNT ON IT

Type I, II & III Circuit Breakers

3 - 50 Ampere

Auto, Modified & Manual Reset

Ignition Protected

Black Reset Button

**Amp Rating Color Code
Between Terminals**

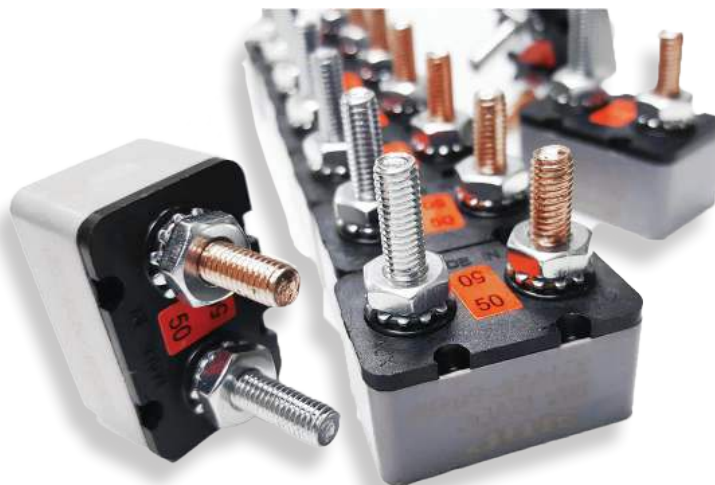


SUPERIOR CIRCUIT PROTECTION

www.mechprod.com

Series 32 Features

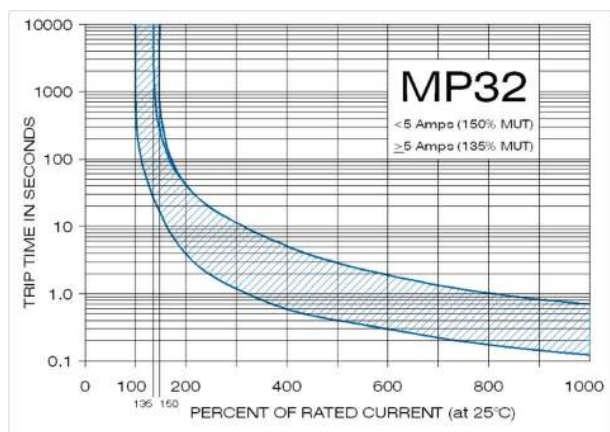
- 3 to 50 Ampere
- SAE Type I, II, & III Circuit Breakers
- Auto, Modified & Manual Reset
- Ignition Protected
- Black Reset Button
- Amp Rating Color Code Between Terminals



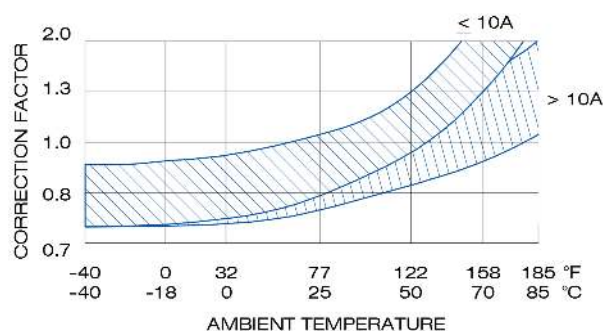
Series 32 Specifications

Standard Amp Ratings	3, 4, 5, 6, 8, 10, 15, 20, 25, 30, 35, 40, 50 Amp
Rated Voltage	Type I & II - 14 VDC Type III - 28 VDC
Dielectric Strength	1,500VAC
Interrupt Capacity	2500A @12 VDC
Overload Reset Capacity	6x rated current
Operating Temperature	-40 to +85°C
Terminations	#10-32 Thread Options
Terminal Torque	24in-lb max.
Regulatory	Complies with SAE Standard J553 & J1171 (Ignition Protected) Ingress Protection: IP66 (MS & PS covers only) ROHS Compliant

Typical Trip Curve



Ambient Temperature Correction

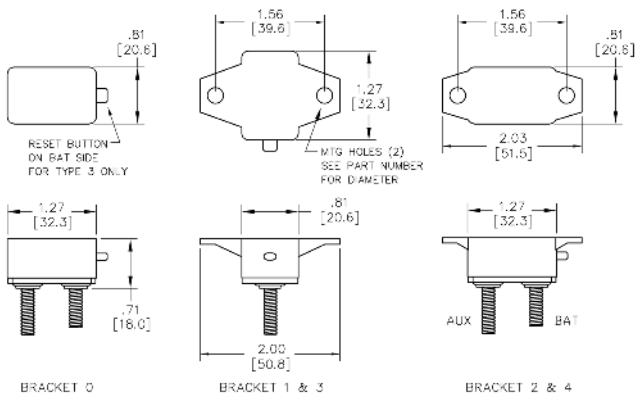


1112 N. Garfield St. Lombard, IL 60148 helpme@mechprod.com
phone 630 | 953 | 4100 fax 630 | 953 | 4110 www.mechprod.com

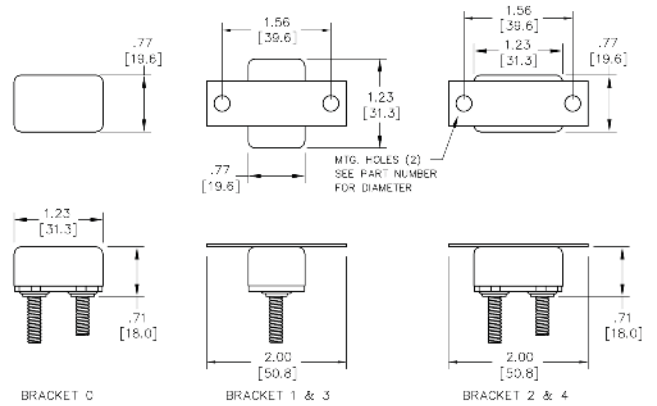
Specifications subject to change

QC-4013-H

Series 32 Physical Configuration



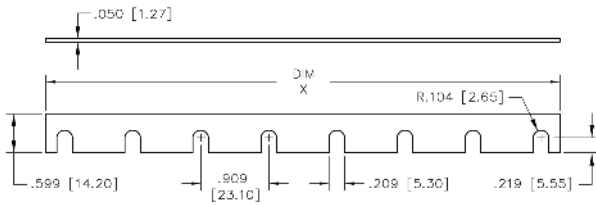
Type 1 & 3 - Plastic Cover



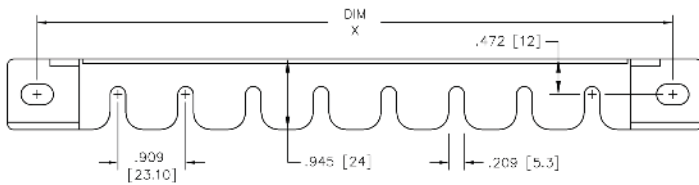
Type 1 & 2 - Metal Cover

Series 32 Accessories

- Protective Boot
- Copper busbar 4 to 12 position
- Nylon mounting bracket 4 to 12 position



Busbar Options		
MP P/N	DIM "X"	# of Positions
320-402-2	1.41 [35.8mm]	2
320-402-4	3.23 [82.1mm]	4
320-402-6	5.05 [128.3mm]	6
320-402-8	6.87 [174.5mm]	8
320-402-10	8.69 [220.7mm]	10
320-402-12	10.51 [267.0mm]	12



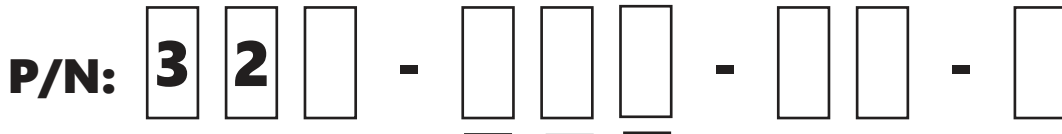
Bracket Options		
MP P/N	DIM "X"	# of Positions
320-401-4	4.89 [124.2mm]	4
320-401-6	6.71 [170.4mm]	6
320-401-8	8.53 [216.7mm]	8
320-401-10	10.35 [262.9mm]	10
320-401-12	12.169 [309.1mm]	12

p/n 32-BR = Boot, Red



p/n 320-401-4 & 320-402-4

Series 32 Part Numbering Guide



Series Number

32 = Series 32 Circuit Protector

Type

- 1 = Type 1 (I), Auto-Reset, 14VDC
- 2 = Type 2 (II), Modified Reset, 14VDC
- 3 = Type 3 (III), Push to Reset, 28VDC

Terminal Studs

- A = Two #10-32 studs;
Length .66 [16.8] AUX .56 [14.2] BAT
- B = Two #10-32 studs;
Length .56 [14.2] AUX & BAT
- C = Two #10-32 studs;
Length .66 [16.8] AUX & BAT

Terminal Hardware

- 0 = None
- A = Two #10-32 KEPS Nuts, Assembled
- B = Two #10-32 KEPS Nuts, Bulk

Amp Ratings

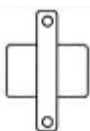
- | | |
|---------------------|----------------------|
| 03 = 3 Amp / Violet | 20 = 20 Amp / Yellow |
| 04 = 4 Amp / Pink | 25 = 25 Amp / Gray |
| 05 = 5 Amp / Tan | 30 = 30 Amp / Green |
| 06 = 6 Amp / Green | 35 = 35 Amp / Brown |
| 08 = 8 Amp / Brown | 40 = 40 Amp / Orange |
| 10 = 10 Amp / Red | 50 = 50 Amp / Red |
| 15 = 15 Amp / Blue | |
- Standard Color Code between terminals

Cover Material

- M = Metal (Type 1 & 2 Only)
- P = Plastic (Type 1 & 3 Only)
- MS = Sealed Metal (Type 1 & 2 Only)
- PS = Sealed Plastic (Type 1)

Bracket

- 0 = No Mounting Bracket
- 1 = Perpendicular, .23 Mtg Holes
- 2 = Parallel, .23 Mtg Holes
- 3 = Perpendicular, .265 Mtg Holes
- 4 = Parallel, .265 Mtg Holes



Bracket 1 & 3



Bracket 2 & 4

Metal

Plastic



p/n 323-A2P-XX-X
Amp rating not specified