



268  
HANDHELD CASES

292  
UNIVERSAL ENCLOSURES

318  
HEAVY DUTY AND ELECTRICAL ENCLOSURES

342  
DESKTOP AND INSTRUMENT CASES

348  
DEVELOPMENT BOARD ENCLOSURES

367  
VERSATILE IOT AND SENSOR ENCLOSURES

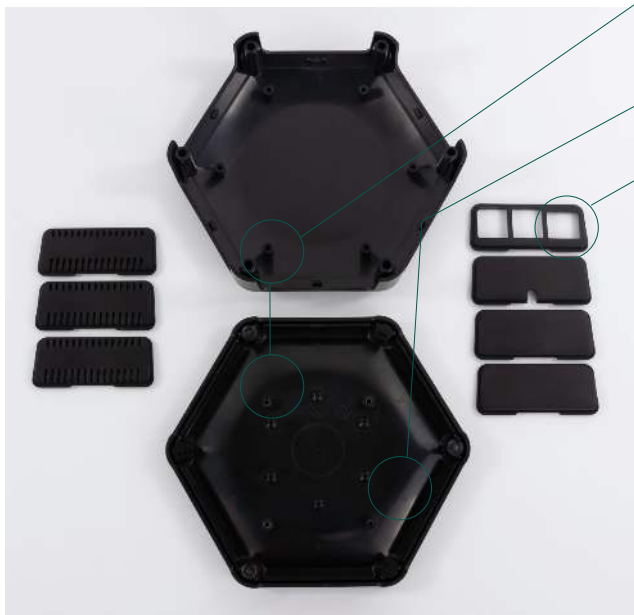
370  
CUSTOM SIZED ENCLOSURES

# Hex-Box Pi Ready enclosure

## Product overview

This UK manufactured Hex-Box Pi Ready Enclosure has been designed with customisation and user flexibility at heart. The 100% recyclable housing features seven self-retaining panels, two of which have been customised to accommodate Raspberry Pi boards. The power cable panel and the remaining panels can be placed in your desired position. The design features and modern aesthetic create the perfect enclosure for Pi projects (when paired with the wall mount bracket) or desktops (when paired with the rubber feet), each sold separately. Raspberry Pi board not included.

## Key features



### PCB mounting in the top and base

Six bosses in the top, four in the base with Raspberry Pi mountable footprint

### Number index in base

Aids wall mounting

### Self-retaining removable end panels

Two pre-customised panels to allow for Raspberry Pi connections to be made. One spare panel to replace the power cable panel if using PoE.

### Smooth bevelled lid with flat top

Suitable for a 2.5" screen and perfect for digital printing



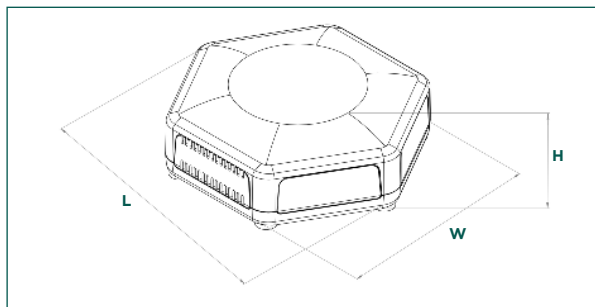
## RANGE SPECIFICATION

<b>STANDARD UNIT INCLUDES</b>	Base, top, 7 x panels, 3 x 16mm thread forming (Pozi CSK) screws			
<b>MATERIALS</b>	Base	UL94-V0 ABS		
	Top	UL94-V0 ABS		
	Screws	BZP (Bright Zinc Plated Steel)		
<b>COLOURS</b>	Grey	RAL7047		
	Black	RAL9005		
	White	RAL9003		
<b>COMPLIANCE</b>	RoHS compliant			
<b>OPERATING TEMPERATURE</b>	-10°C to +80°C			
<b>TEST RESULTS</b>	<b>Standard</b>	<b>Test</b>	<b>Result</b>	<b>Test report</b>
	EN 62262	Impact test	IK07	TR112
	BS EN 60529	IP code	IP30	TR110
<b>SCREW TORQUE</b>	Pozi csk screws	0.3Nm		
<b>PURCHASING INFORMATION</b>	Country of origin	Great Britain (GB)		
	Commodity code	3923101000		
	Weight	120g		
<b>OPTIONS</b>	Enclosure type	Versatile sensor and IoT enclosures		
	For alternative colours and materials MOQs will apply			

DESCRIPTION	GREY (GY)	BLACK (BK)	WHITE (WH)
1 x enclosure, 2 x customised solid panels to accommodate Raspberry Pi4, 2 x solid panel and 3 x vented panels	CBHEXI-PI4-GY	CBHEXI-PI4-BK	CBHEXI-PI4-WH

## ENCLOSURE DIMENSIONS (LxWxH)

EXTERNAL	INTERNAL	WALL THICKNESS
146 x 130 x 45 mm	122.5 x 125.5 x 34.5 mm	2.5 mm



## Potential industries / applications

Smart home, smart office, portable computer, networking projects, Pi camera, Pi screen, IoT

PLASTIC ENCLOSURES

348

+44 (0)1638 716101 | [sales@camdenboss.com](mailto:sales@camdenboss.com) | [www.camdenboss.com](http://www.camdenboss.com)

We operate a constant improvement policy, our products are subject to change without notice.

Vers 1



FM 28614

# Desk mount accessory

## Product overview

The six rubber feet (CBHEX-FEET) turn your Hex-Box IoT Enclosure into a tabletop enclosure. Simply push the feet into the holes in the base of the Hex-Box IoT Enclosure.



## Rubber feet

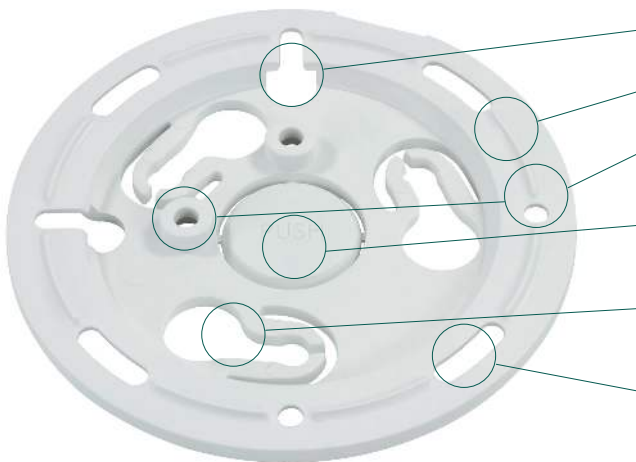


# Wall mount accessory

## Product overview

Transform your Hex-Box IoT Pi Enclosure into a wall mountable enclosure with the Circular Wall Mount Bracket. This revolutionary circular mounting bracket is packed full of mounting options and offers seamless and discrete mounting to retain the modern aesthetic look of your housing, whilst gaining additional functionality.

## Key features



## Circular Wall Mount Bracket



### 2 x keyhole mounting slots

Allow for quick and easy wall mounting

### Raised rib standoffs

Help with stability of the enclosure on uneven walls

### 2 x sets of UK single gang back box mounting points

In two off centre orientations

### 25mm cable entry knockout for cable management

Customisation required to the enclosure base, using the guide provided

### Easy installation

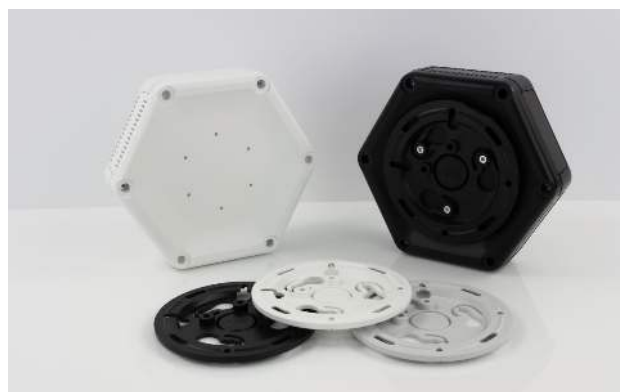
Screw the lugs to the enclosure, twist 30 degrees and your bracket is attached

### 4 x static mount points/slots

Provides easy and flexible wall mount fitting

RANGE SPECIFICATION		
MATERIAL	Wall mount bracket	UL94-V0 ABS
	Wall mount lugs	UL94-V0 ABS
	Screws	BZP (Bright Zinc Plated Steel)
DIAMETER	98.3 mm	
PURCHASING INFORMATION	Country of origin	Great Britain (GB)
	Commodity code	3923101000
	Weight	23.6g

CIRCULAR WALL MOUNT BRACKET			
GREY (GY)	BLACK (BK)	WHITE (WH)	INCLUDED
CBWMC-GY	CBWMC-BK	CBWMC-WH	1 x circular wall mount bracket, 3 x screws, 3 x lugs



268  
HANDHELD CASES

292  
UNIVERSAL ENCLOSURES

318  
HEAVY DUTY AND ELECTRICAL ENCLOSURES

342  
DESKTOP AND INSTRUMENT CASES

348  
DEVELOPMENT BOARD ENCLOSURES

367  
VERSATILE IOT AND SENSOR ENCLOSURES

370  
CUSTOM SIZED ENCLOSURES

PLASTIC ENCLOSURES