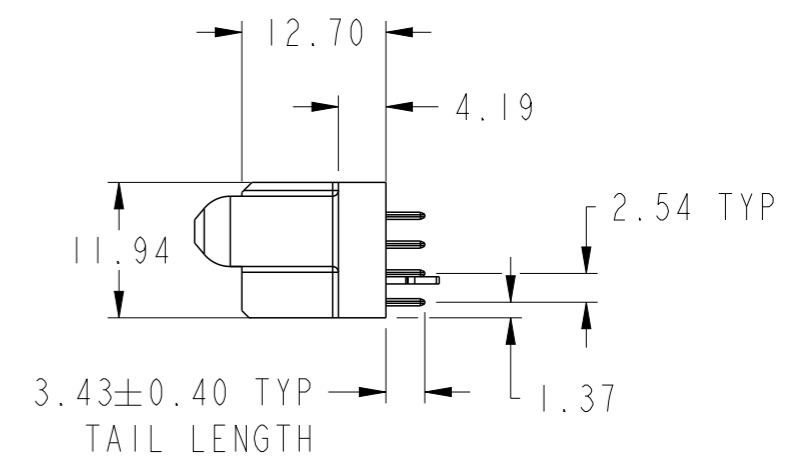
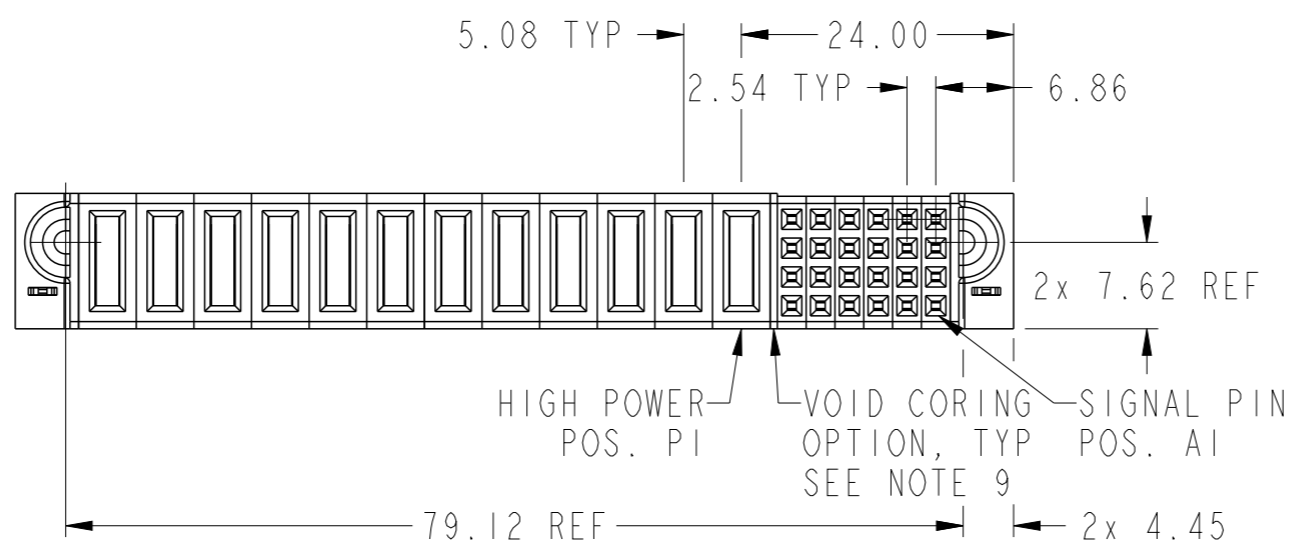
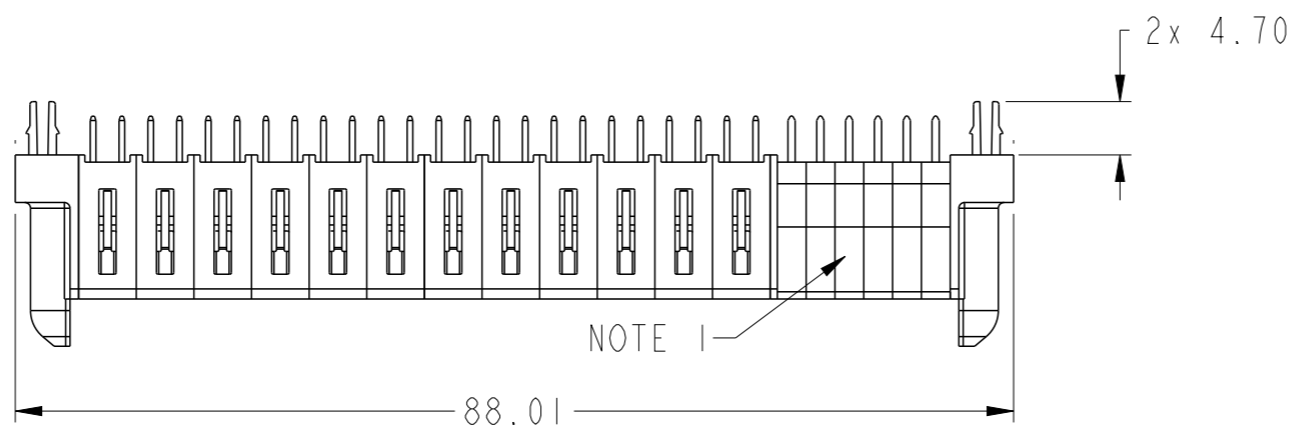
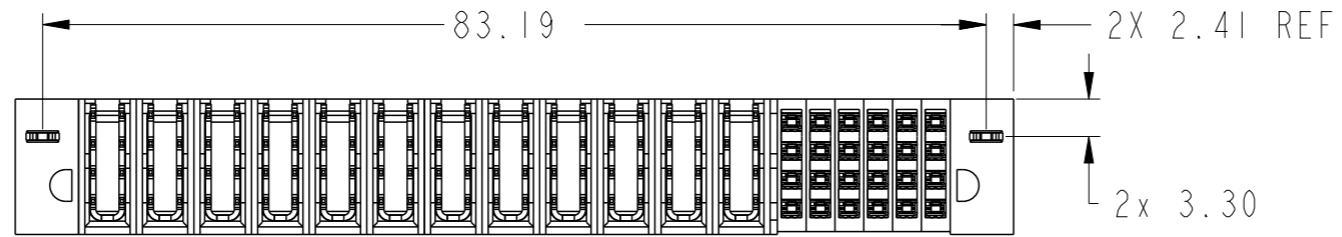


PRODUCT NUMBER SEE SHEET 2



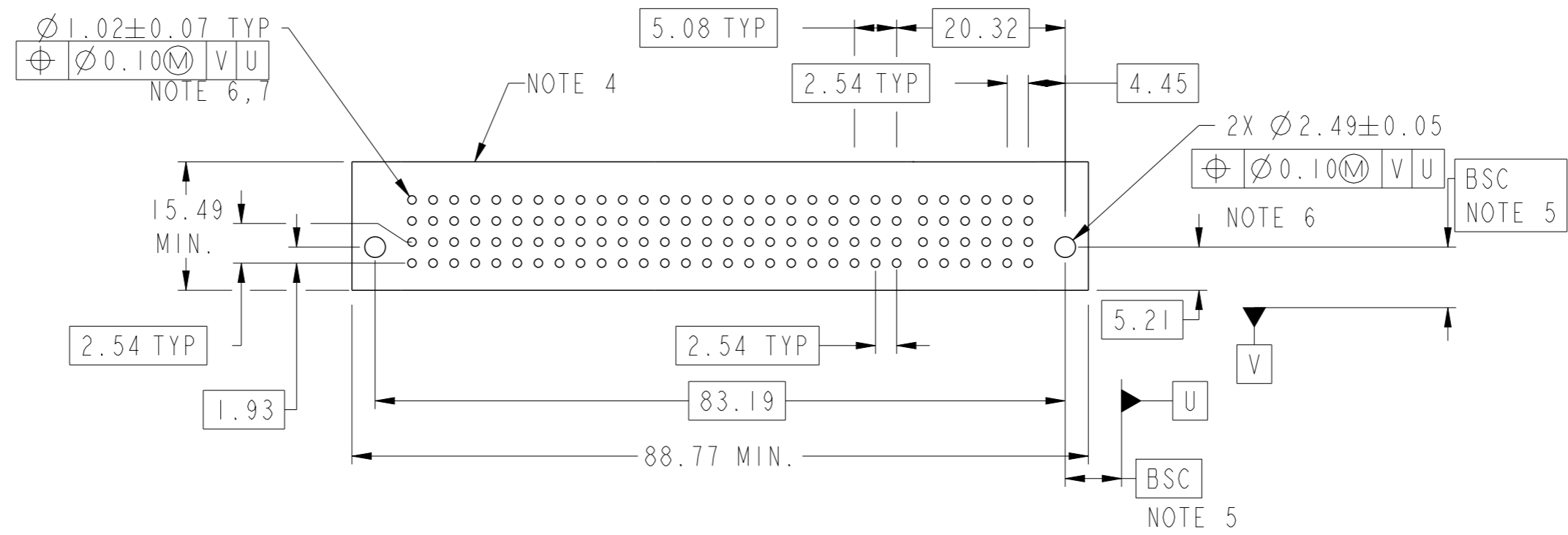
Amphenol  
FCi

© 2016 AFCI

|               |        |            |             |          |                                  |                            |           |            |
|---------------|--------|------------|-------------|----------|----------------------------------|----------------------------|-----------|------------|
| spec ref      | dr     | 2016/03/30 | projection  | MM       | size                             | A3                         | scale     | 3:2        |
| tolerance std | eng    | 2016/04/07 |             |          | ecn no                           | -                          | rel level | Released   |
| ASME Y14.5    | chr    | 2016/04/07 |             |          |                                  |                            |           |            |
| surface       | linear | 0.X        | ±0.50       |          | 24S + 12HDP<br>VT STB RECEPTACLE | dwg no<br>10106138-C006001 | rev<br>A  | ASME Y14.5 |
|               |        | 0.XX       | ±0.25       |          |                                  |                            |           |            |
| 0.XXX         | ±0.10  |            |             |          |                                  |                            |           |            |
| angular       | 0°     | ±2°        | www.fci.com | cat. no. | Product - Customer Drw           | sheet 1 of 3               |           |            |

| PRODUCT NO.        | ROWS             | HIGH POWER |     |     |     |    |    |    |    |    |    |    |    | SIGNAL |   |   |   |   |   |   |    |
|--------------------|------------------|------------|-----|-----|-----|----|----|----|----|----|----|----|----|--------|---|---|---|---|---|---|----|
|                    |                  | E1         | P12 | P11 | P10 | P9 | P8 | P7 | P6 | P5 | P4 | P3 | P2 | P1     | 6 | 5 | 4 | 3 | 2 | 1 | E2 |
| 10106138-C006001LF | D<br>C<br>B<br>A | H3         | H3  | H3  | H3  | H3 | H3 | H3 | H3 | H3 | H3 | H3 | H3 | E      | E | E | E | E | E | E | E  |

| CODE | DESCRIPTION                   |
|------|-------------------------------|
| E    | STD SIGNAL CONTACT            |
| H3   | STD HIGH POWER CONTACT (3.43) |
| HA   | METAL HOLD DOWN               |



Amphenol  
FCi

© 2016 AFCI

|                                       |                   |            |            |    |  |        |           |          |                |             |       |  |       |       |            |         |    |     |   |         |             |           |                   |          |             |   |        |                  |     |   |                        |              |
|---------------------------------------|-------------------|------------|------------|----|--|--------|-----------|----------|----------------|-------------|-------|--|-------|-------|------------|---------|----|-----|---|---------|-------------|-----------|-------------------|----------|-------------|---|--------|------------------|-----|---|------------------------|--------------|
| spec ref                              | dr                | 2016/03/30 | projection | MM | size   | A3     | scale     | 3:2      |                |             |       |  |       |       |            |         |    |     |   |         |             |           |                   |          |             |   |        |                  |     |   |                        |              |
| tolerance std<br>ASME Y14.5           | eng               | 2016/04/07 |            |    | ecn no   | -      | rel level | Released |                |             |       |  |       |       |            |         |    |     |   |         |             |           |                   |          |             |   |        |                  |     |   |                        |              |
| TOLERANCES UNLESS OTHERWISE SPECIFIED | chr               | 2016/04/07 |            |    |  |        |           |          | product family | PowerBlade+ |       |  |       |       |            |         |    |     |   |         |             |           |                   |          |             |   |        |                  |     |   |                        |              |
| surface                               | appr              | 2016/04/07 |            |    | <table border="1"> <tr> <td>linear</td> <td>0.X</td> <td>±0.50</td> </tr> <tr> <td></td> <td>0.XX</td> <td>±0.25</td> </tr> <tr> <td></td> <td>0.XXX</td> <td>±0.10</td> </tr> <tr> <td>ASME Y14.5</td> <td>angular</td> <td>0°</td> <td>±2°</td> </tr> </table> | linear | 0.X       | ±0.50    |                | 0.XX        | ±0.25 |  | 0.XXX | ±0.10 | ASME Y14.5 | angular | 0° | ±2° | <table border="1"> <tr> <td>part no</td> <td>24S + 12HDP</td> </tr> <tr> <td>part name</td> <td>VT STB RECEPTACLE</td> </tr> <tr> <td>cat. no.</td> <td>www.fci.com</td> </tr> </table> | part no | 24S + 12HDP | part name | VT STB RECEPTACLE | cat. no. | www.fci.com | <table border="1"> <tr> <td>dwg no</td> <td>10106138-C006001</td> </tr> <tr> <td>rev</td> <td>A</td> </tr> </table> | dwg no | 10106138-C006001 | rev | A | Product - Customer Drw | sheet 2 of 3 |
| linear                                | 0.X               | ±0.50      |            |    |  |        |           |          |                |             |       |  |       |       |            |         |    |     |   |         |             |           |                   |          |             |   |        |                  |     |   |                        |              |
|                                       | 0.XX              | ±0.25      |            |    |  |        |           |          |                |             |       |  |       |       |            |         |    |     |   |         |             |           |                   |          |             |   |        |                  |     |   |                        |              |
|                                       | 0.XXX             | ±0.10      |            |    |  |        |           |          |                |             |       |  |       |       |            |         |    |     |   |         |             |           |                   |          |             |   |        |                  |     |   |                        |              |
| ASME Y14.5                            | angular           | 0°         | ±2°        |    |  |        |           |          |                |             |       |  |       |       |            |         |    |     |   |         |             |           |                   |          |             |   |        |                  |     |   |                        |              |
| part no                               | 24S + 12HDP       |            |            |    |  |        |           |          |                |             |       |  |       |       |            |         |    |     |   |         |             |           |                   |          |             |   |        |                  |     |   |                        |              |
| part name                             | VT STB RECEPTACLE |            |            |    |  |        |           |          |                |             |       |  |       |       |            |         |    |     |   |         |             |           |                   |          |             |   |        |                  |     |   |                        |              |
| cat. no.                              | www.fci.com       |            |            |    |  |        |           |          |                |             |       |  |       |       |            |         |    |     |   |         |             |           |                   |          |             |   |        |                  |     |   |                        |              |
| dwg no                                | 10106138-C006001  |            |            |    |  |        |           |          |                |             |       |  |       |       |            |         |    |     |   |         |             |           |                   |          |             |   |        |                  |     |   |                        |              |
| rev                                   | A                 |            |            |    |  |        |           |          |                |             |       |  |       |       |            |         |    |     |   |         |             |           |                   |          |             |   |        |                  |     |   |                        |              |

1

2

3

4

A

A

NOTES:

- 1) "FCI", PART NUMBER AND DATE CODE TO BE MARKED ON THIS SURFACE.  
THE MARK CAN BE OMITTED IF THERE IS NOT ENOUGH SPACE ON THIS SURFACE.
- 2) MATERIALS:  
-HOUSING - GLASS FILLED WITH HIGH TEMP THERMOPLASTIC, UL94V-0.  
-SIGNAL CONTACT - COPPER ALLOY.  
-POWER CONTACT - HIGH CONDUCTIVITY COPPER ALLOY.
- 3) PLATING SPECIFICATION REFER TO FCI 10116351
- 4) DENOTES CONNECTOR KEEP OUT ZONE.
- 5) DATUM AND BASIC DIMENIONS WERE ESTABLISHED BY CUSTOMER.
- 6) ALL HOLE DIAMETERS ARE FINISHED HOLE SIZES.
- 7) 1.15 ± 0.025MM DRILLED HOLE PLATED WITH 0.00762MM MIN Sn  
OVER 0.0254-0.0762MM Cu PLATING TO ACHIEVE A 1.02 ± 0.07MM HOLE.
- 8) PRODUCT SPECIFICATION REFER TO FCI GS-12-658.  
APPLICATION SPECIFICATION REFER TO FCI GS-20-141.  
PRODUCT PACKAGED IN TRAYS, REFER TO FCI GS-14-1502.
- 9) THE VOID CORING IN BETWEEN POWER MODULES, SIGNAL  
MODULES AND END MODULES ARE OPTIONAL AND THE SHAPE  
MAY BE DIFFERENT FOR OPTIMIZE THE MOLDING PROCESS. THE  
VOID CORING WILL NOT EFFECT TO PRODUCT FUNCTION.

B

B

C

C

D

D

Amphenol  
FCi

© 2016 AFCI

|               |                                       |       |              |                 |                   |              |                        |              |       |     |
|---------------|---------------------------------------|-------|--------------|-----------------|-------------------|--------------|------------------------|--------------|-------|-----|
| spec ref      |                                       | dr    | Rainbow Zhan | 2016/03/30      | projection<br>    | MM<br>←————→ | size                   | A3           | scale | 1:1 |
| tolerance std | TOLERANCES UNLESS OTHERWISE SPECIFIED | eng   | Rainbow Zhan | 2016/04/07      |                   |              | ecn no                 | -            |       |     |
| ASME Y14.5    |                                       | chr   | Fancy Zhang  | 2016/04/07      | product family    | PowerBlade+  | rel level              | Released     |       |     |
| surface       | linear                                | 0.X   | ±0.50        | Amphenol<br>FCi | 24S + 12HDP       | dwg no       | 10106138-C006001       | rev          | A     |     |
|               |                                       | 0.XX  | ±0.25        |                 |                   |              |                        |              |       |     |
| ASME Y14.5    | angular                               | 0.XXX | ±0.10        | www.fci.com     | VT STB RECEPTACLE | cat. no.     | Product - Customer Drw | sheet 3 of 3 |       |     |
|               |                                       | 0°    | ±2°          |                 |                   |              |                        |              |       |     |

2

3

PDS: Rev :A

STATUS:Released

Printed: Apr 08, 2016