

7mm Square Encoders

Type: **EVQVU**



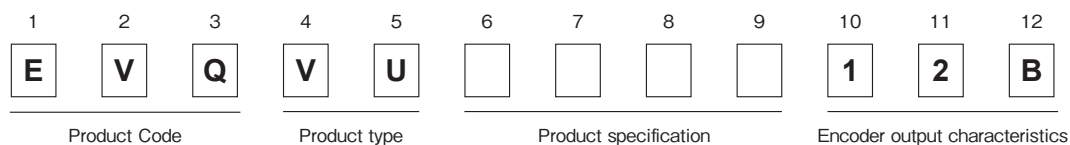
■ Features

- Smaller and lower product height type (Product height H=7mm)
- Good rotation feel
- Supports vertical self-standing mounting onto printed circuit boards

■ Recommended Applications

- Information & communications equipment
- For input devices of measuring instruments and various electronic equipment
- Portable electronic equipment

■ Explanation of Part Numbers

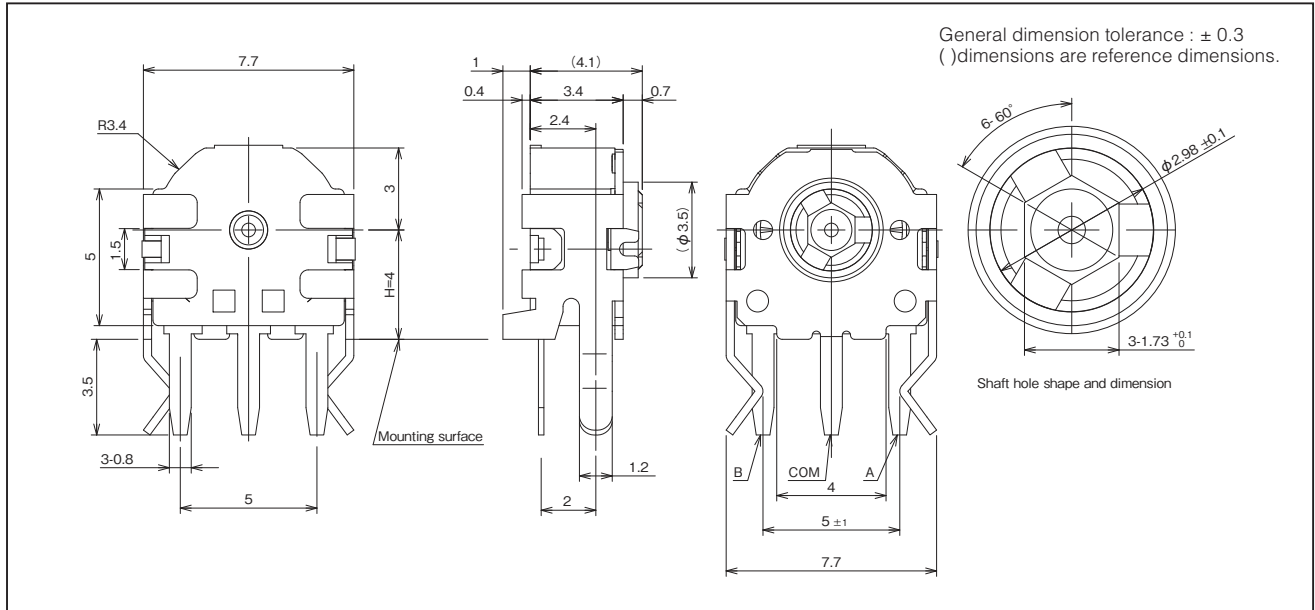


■ Specifications

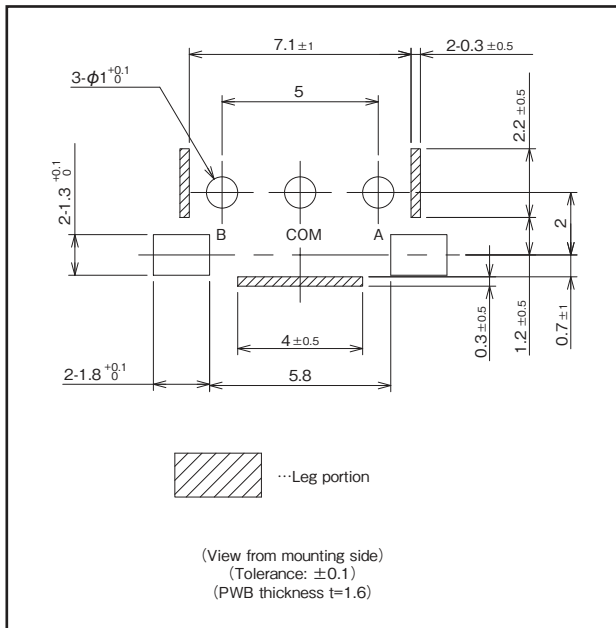
Mechanical	Rotation angle	360° (Endless)
	Rotation Torque	5mN·m
	Detents	24 points
Electrical	Output signals	Phase A and B
	Resolution	12 pulses/360°
	Rating	1mA 10V DC (at each bit)
	Contact resistance	10Ω max.
	Insulation resistance	50MΩ min. (at 50V DC)
	Dielectric Withstanding Voltage	50V AC for 1 minute
	Bouncing	15ms max. (at rotational speed 30 r/min.)
Endurance	Rotation life	100,000 cycles min.
Minimum Quantity/Packing Unit		500 pcs. (Tray Pack)
Quantity/Carton		5,000 pcs.

Design and specifications are each subject to change without notice. Ask factory for the current technical specifications before purchase and/or use.
Should a safety concern arise regarding this product, please be sure to contact us immediately.

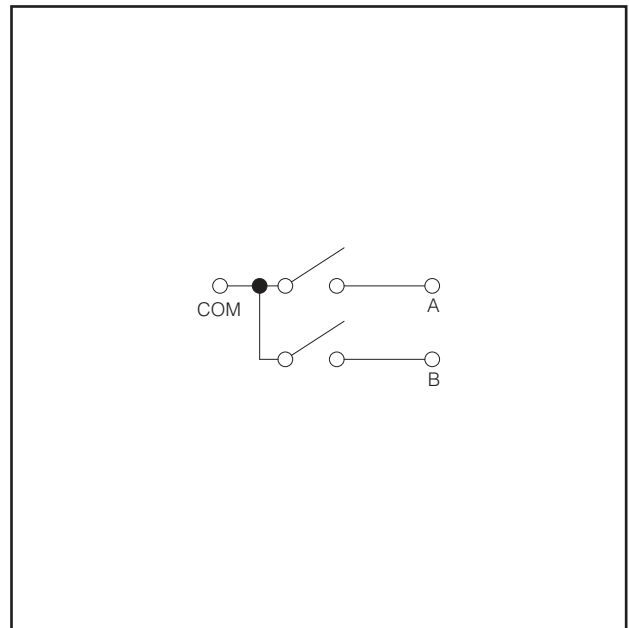
■ Dimensions in mm (not to scale)



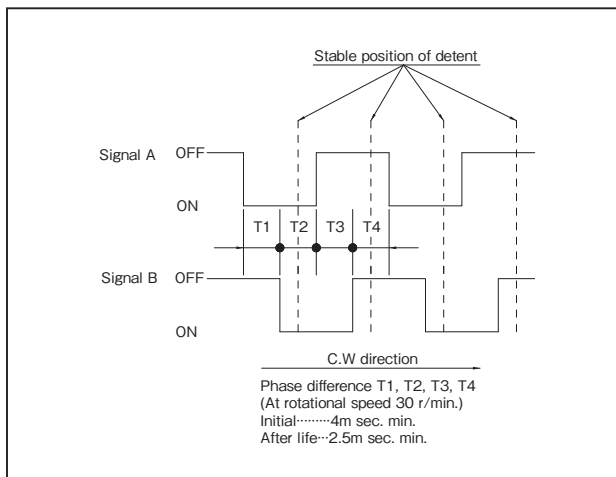
■ PWB mounting hole for reference



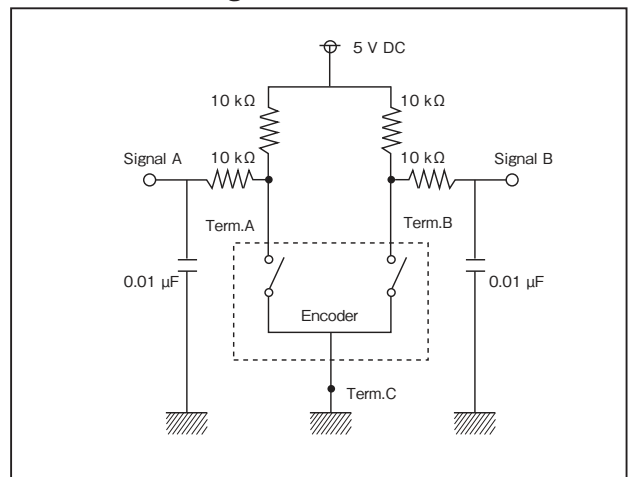
■ Circuit Diagram



■ Phase Difference



■ Test Circuit Diagram



Design and specifications are each subject to change without notice. Ask factory for the current technical specifications before purchase and/or use.
 Should a safety concern arise regarding this product, please be sure to contact us immediately.