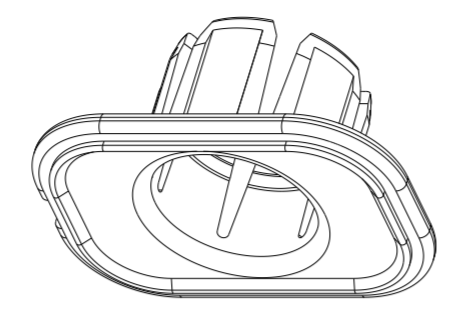
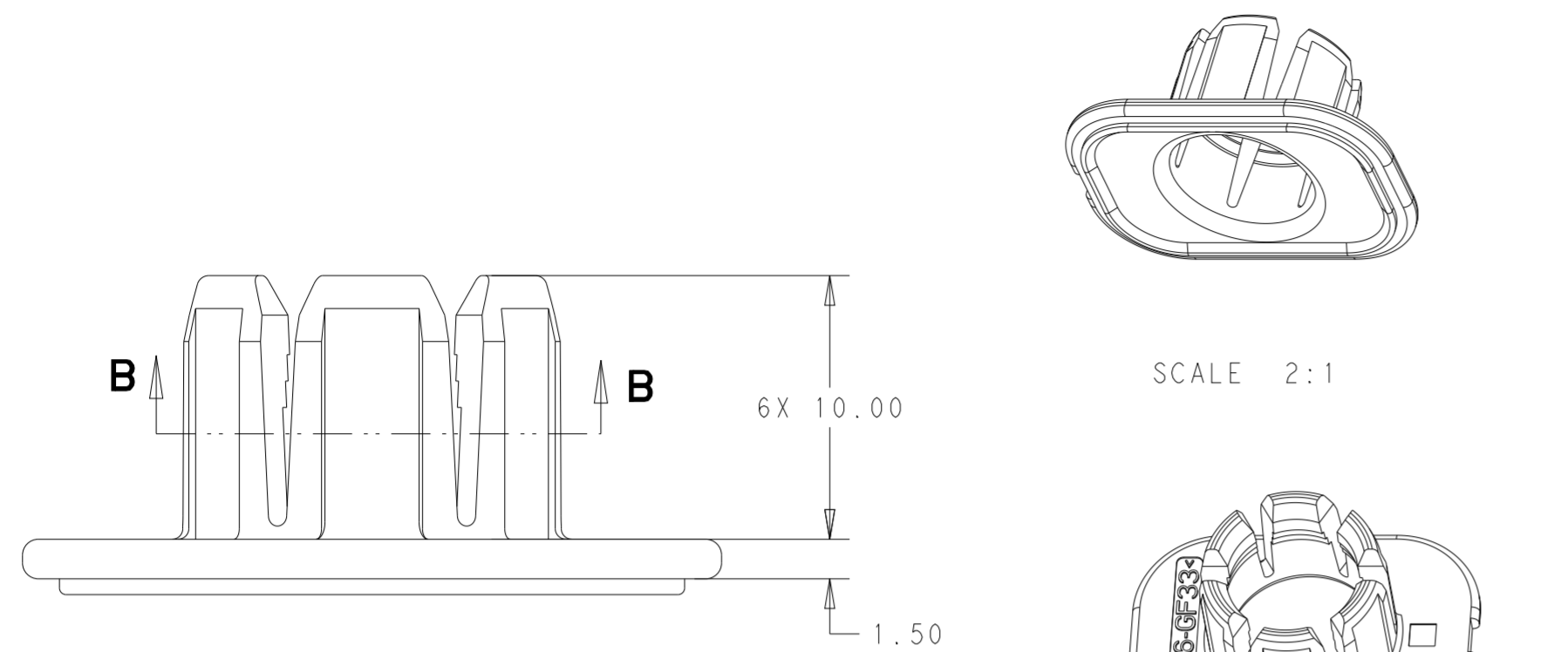
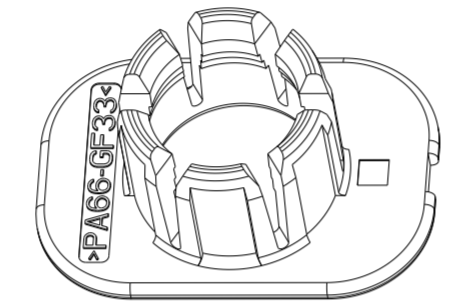


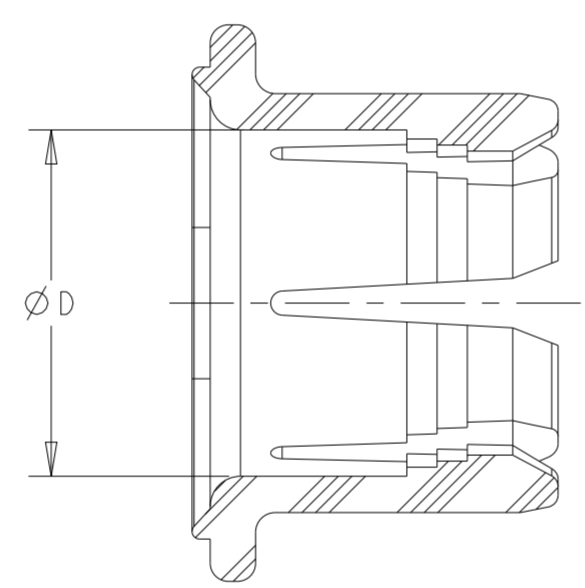
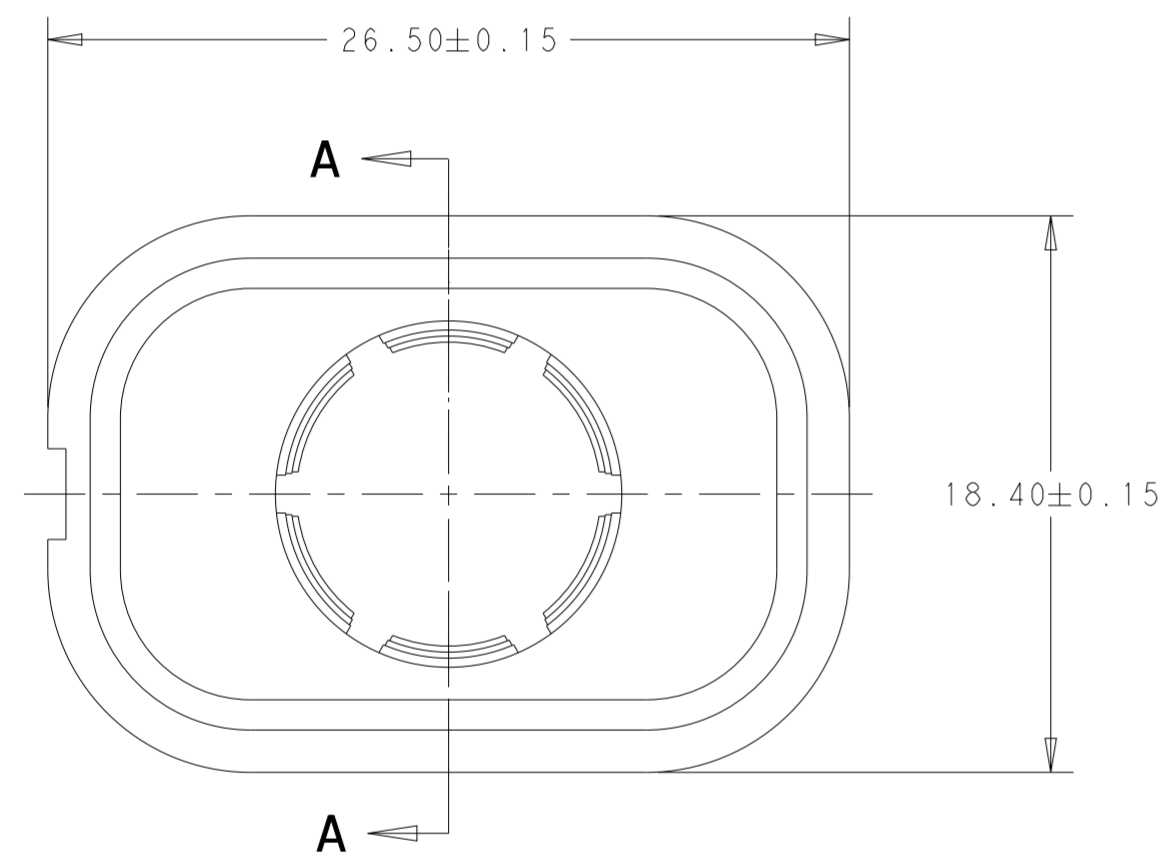
REVISIONS					
P	LTR	DESCRIPTION	DATE	DWN	APVD
A3		ECO-14-004886	31MAR2014	DR	DR
A4		ECN-23-169404	15MAR2023	SKM	SS



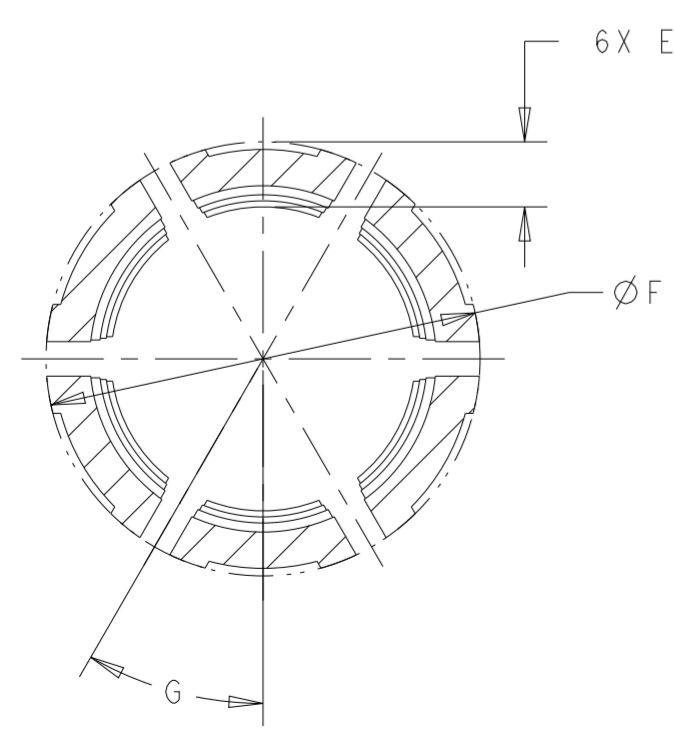
SCALE 2:1



SCALE 2:1

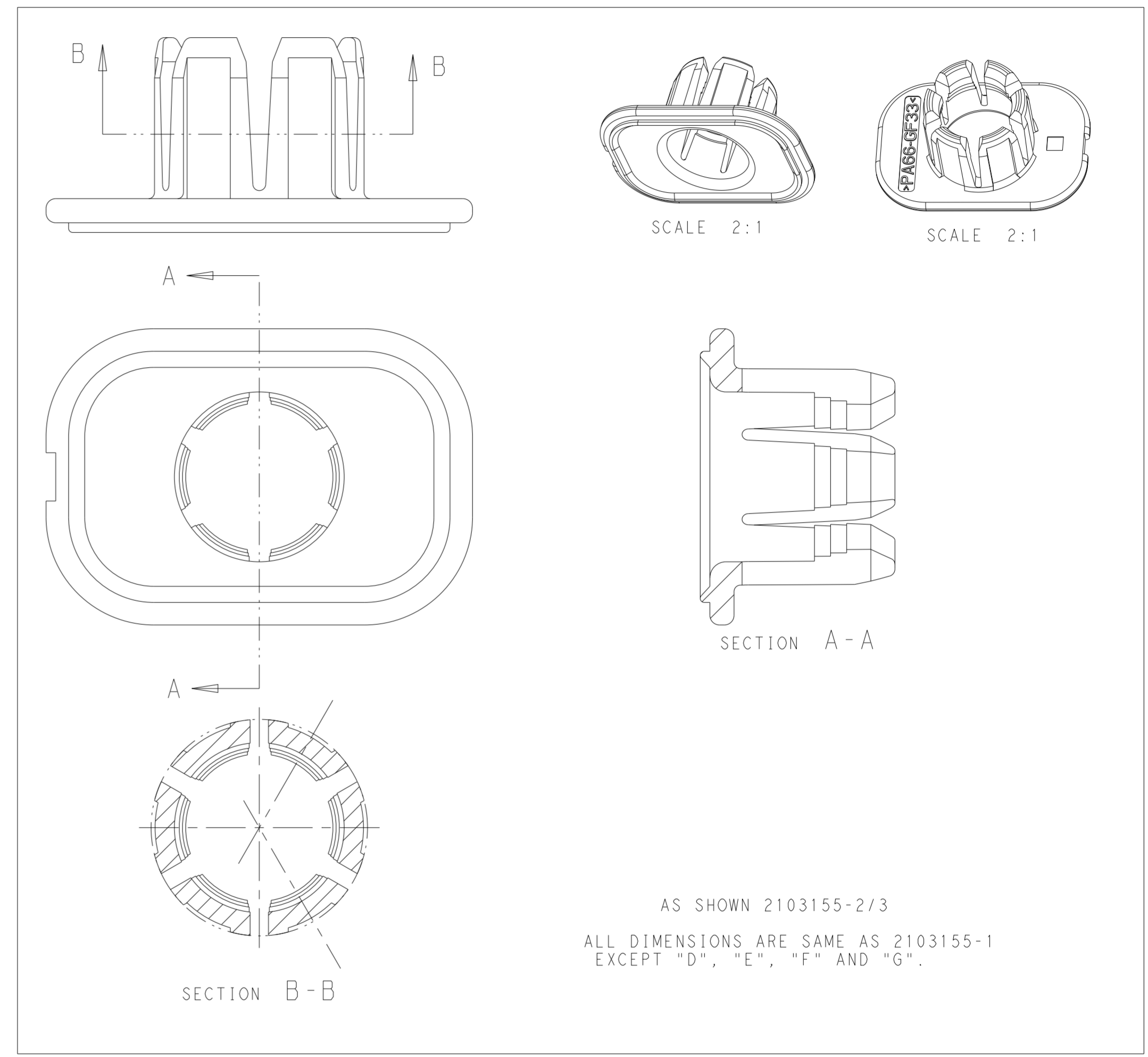


SECTION A-A



SECTION B-B

AS SHOWN 2103155-1



AS SHOWN 2103155-2/3
 ALL DIMENSIONS ARE SAME AS 2103155-1 EXCEPT "D", "E", "F" AND "G".

60°	13.45	2.40	10.55	1.33g	NATURAL	9.30 - 10.10	A	2103155-3
60°	13.45	2.15	10.55	1.27g	BLACK	9.80 - 10.50	A	2103155-2
30°	14.35	2.15	11.45	1.27g	ORANGE	10.70 - 11.40	A	2103155-1
G	F	E	D	WEIGHT	COLOR	CABLE Ø	REV	PART NO

1 MATERIAL:
 TYPE: PA66 33%GF
 COLOR: SEE TABLE
 2. NOTED DELETED

THIS DRAWING IS A CONTROLLED DOCUMENT.

DIMENSIONS: mm	TOLERANCES UNLESS OTHERWISE SPECIFIED: 0 PLC ± 1 PLC ±0.2 2 PLC ±0.10 3 PLC ± 4 PLC ± ANGLES ±5 FINISH	DWN D. RHEIN 07DEC2010 CHK D. RHEIN 23MAR2011 APVD J. BOLEWITZ 23MAR2011	NAME COLLET HVA280 MULTI-CORE
MATERIAL		APPLICATION SPEC	SIZE CAGE CODE DRAWING NO RESTRICTED TO
		WEIGHT SEE TABLE	A200779 C-2103155
		CUSTOMER DRAWING	SCALE 4:1 SHEET 1 OF 1 REV A4

STE TE Connectivity